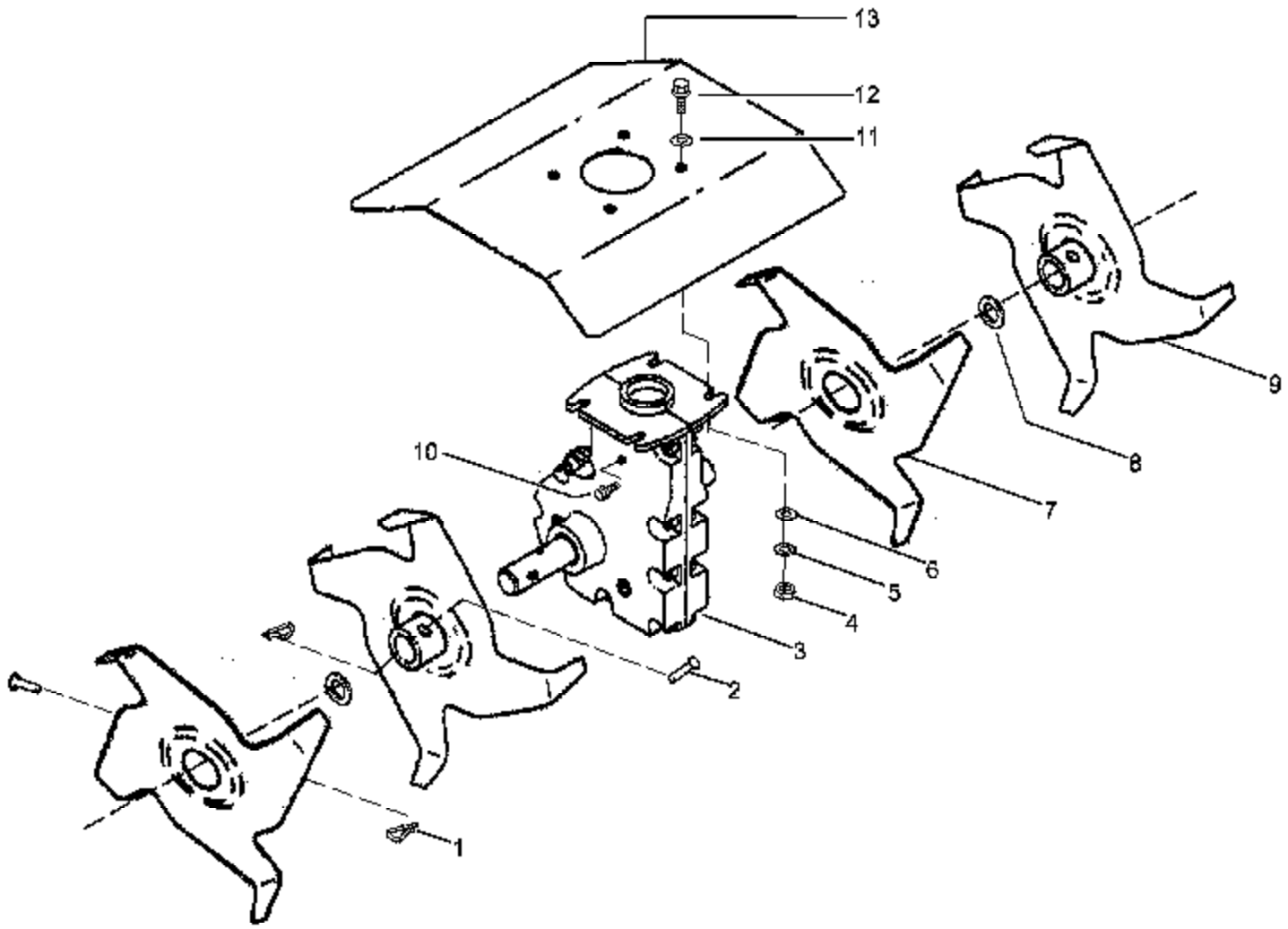
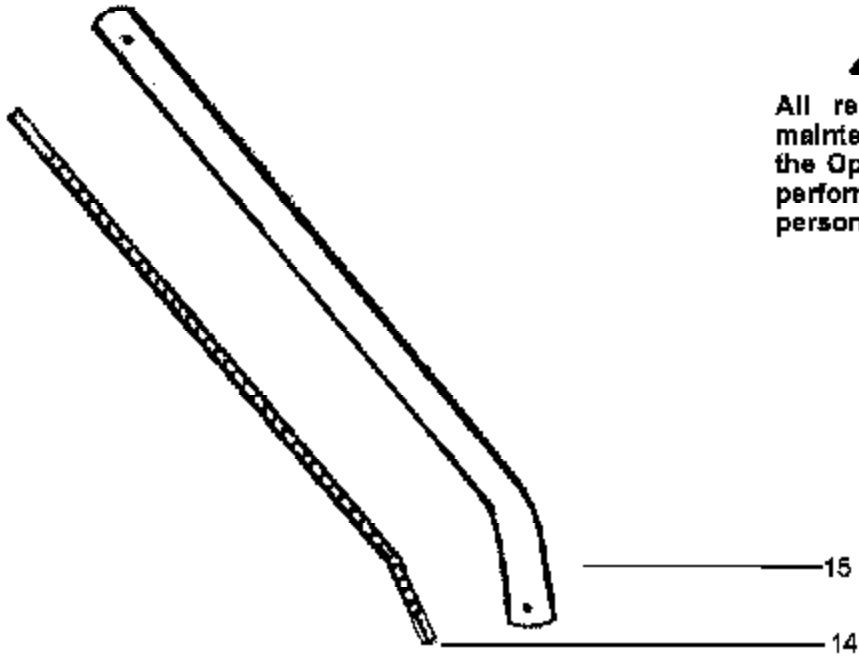




WARNING

All repairs, adjustments and maintenance not described in the Operator's Manual must be performed by qualified service personnel.



| Ref # | Part Number | Qty | Description |
|-------|-------------|-----------------------------|--|
| 1 | 530016363 | | Retainer-Hairpin |
| 2 | 530016362 | | Pin-Clevis |
| 3 | 530071482 | | Kit-Gearbox |
| 4 | 530015515 | | Locknut |
| 5 | 530016375 | | Washer-Lock |
| 6 | 530015209 | | Washer-Flat |
| 7 | 530095987 | | Tine-Right Outside/Left Inside |
| 8 | 530016364 | | Washer-Felt |
| 9 | 530095986 | | Tine-Left Outside/Right Inside |
| 10 | 530016374 | | Bolt-Hex |
| 11 | 530015209 | | Washer-Flat |
| 12 | 530016366 | | Bolt-Washer Head |
| 13 | 530071479 | SNT31 Snapper Cable Board | Kit-Guard |
| 14 | 530095960 | Cultivator Attachment Assem | Shaft-Hex |
| 15 | 530096001 | | Assy-Driveshaft |
| | 530086755 | | Manual Not Shown |
| | 530095894 | | Hanger-Attachment Not Shown |
| | 530055450 | | Decal-Shield-9[0 (Not a serviceable part) Not Shown |
| | 530056126 | | Decal-Shaft Warning (Not a serviceable part) Not Shown |