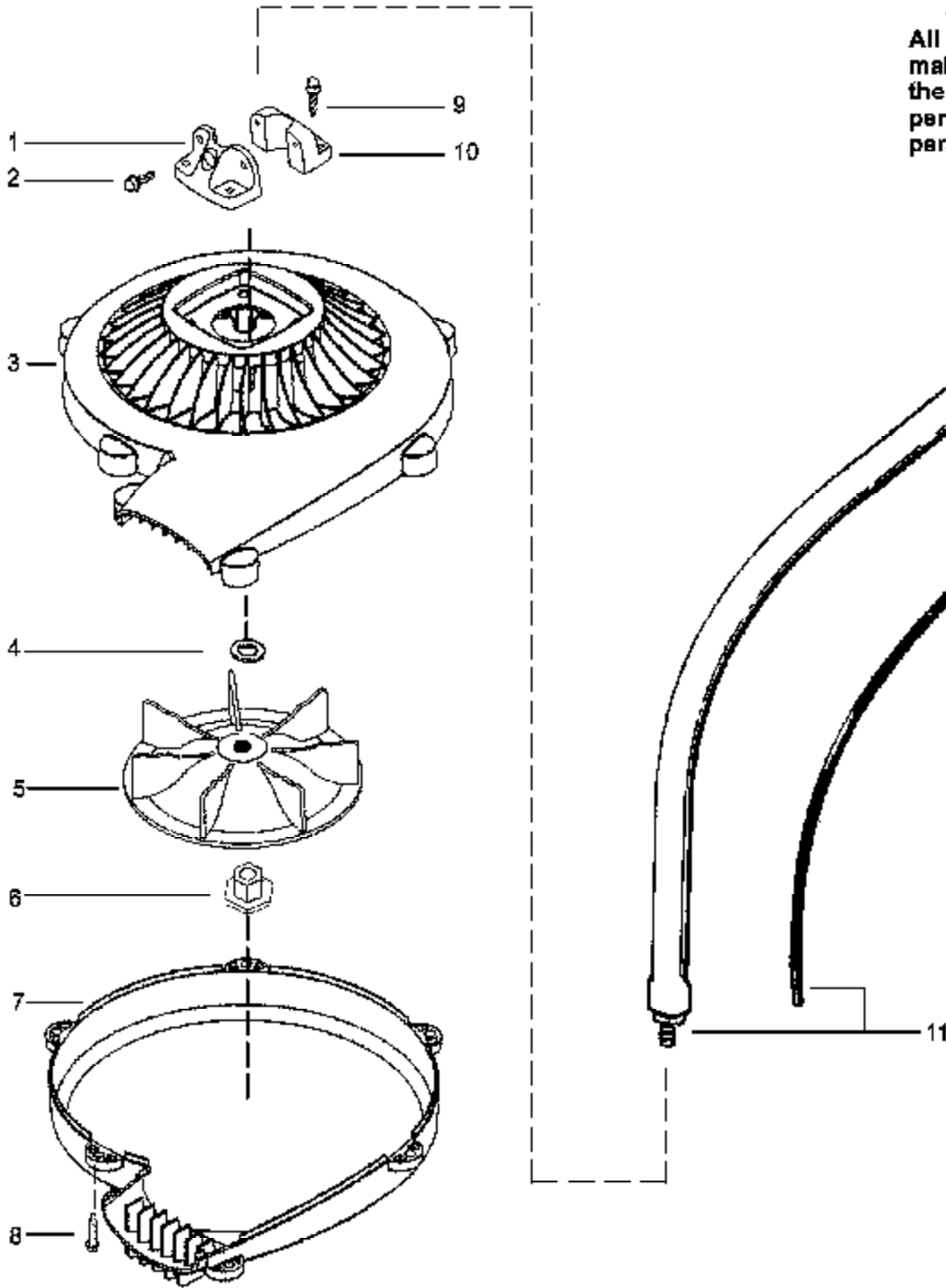


TYPE 2



WARNING

All repairs, adjustments and maintenance not described in the Operator's Manual must be performed by qualified service personnel.



Ref #	Part Number	Qty	Description
1	530096026		Clamp-Right
2	530015814		Screw
3	530096042		Hsg.-Blower (upper)
4	530016389		Washer
5	530055123		Impeller
6	530095893		Arbor-Impeller
7	530095892		Hsg.-Blower (lower)
8	530016273		Screw
9	530016179		Screw
10	530096025		Clamp-Left
11	530071609		Assy-Lower Driveshaft (Incl. flex)
	530086758		Manual Not Shown
	530095894		SNB31 Snapper Blade 24" x 2" Hanger Attachment Not Shown
	530056128		Blower Attachment Assembly Not Shown
			Decal-Impeller Hsg. Not Shown