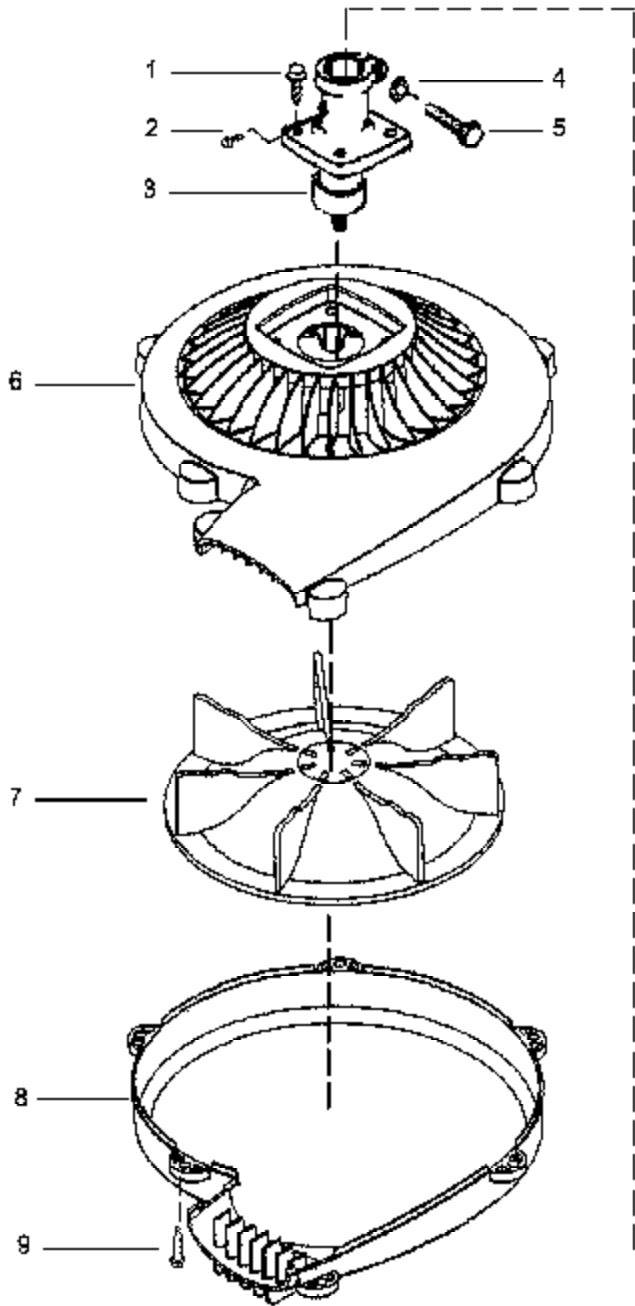
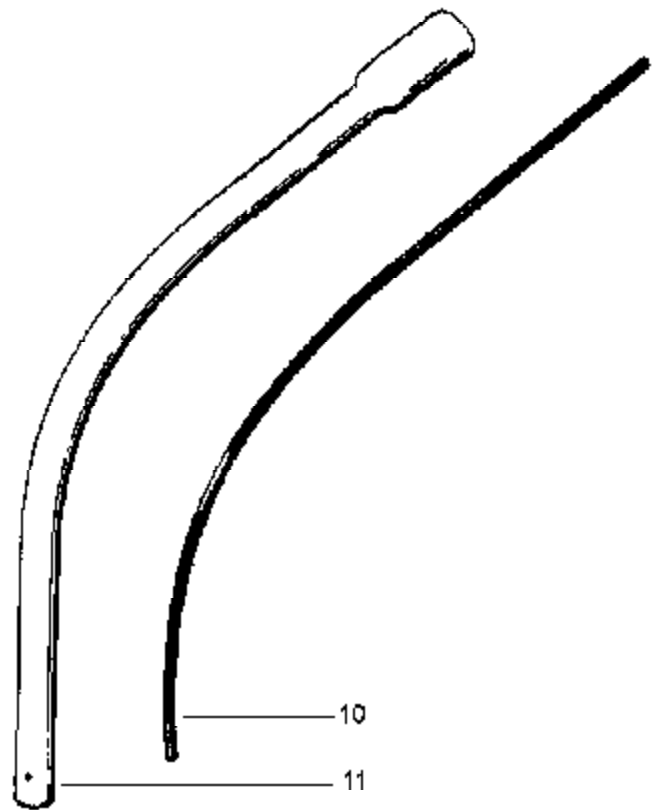


# TYPE 1



## WARNING

All repairs, adjustments and maintenance not described in the Operator's Manual must be performed by qualified service personnel.



Ref #	Part Number	Qty	Description
1	530016360		Screw (brg hsg/blwr)
2	530015518		Screw-Shaft Alignment
3	530094581		Assy-Bearing Hsg. (Incl. #2,4,5)
4	530092227		Washer-Lock (star)
5	534828400		Bolt
6	530095891		Blower-Scroll (upper)
7	530055123		Impeller
8	530095892		Blower-Scroll (lower)
9	530016273		Screw
10	530095884		Flexshaft-Split Boom
11	530095990		Assy-Lower Driveshaft
	530086758		Manual Not Shown
	530095894		SNB31 Snapper, Page 2 of 2 Hanger Attachment Not Shown
	530056128		Blower Attachment Assembly Decal-Impeller Hsg. Not Shown