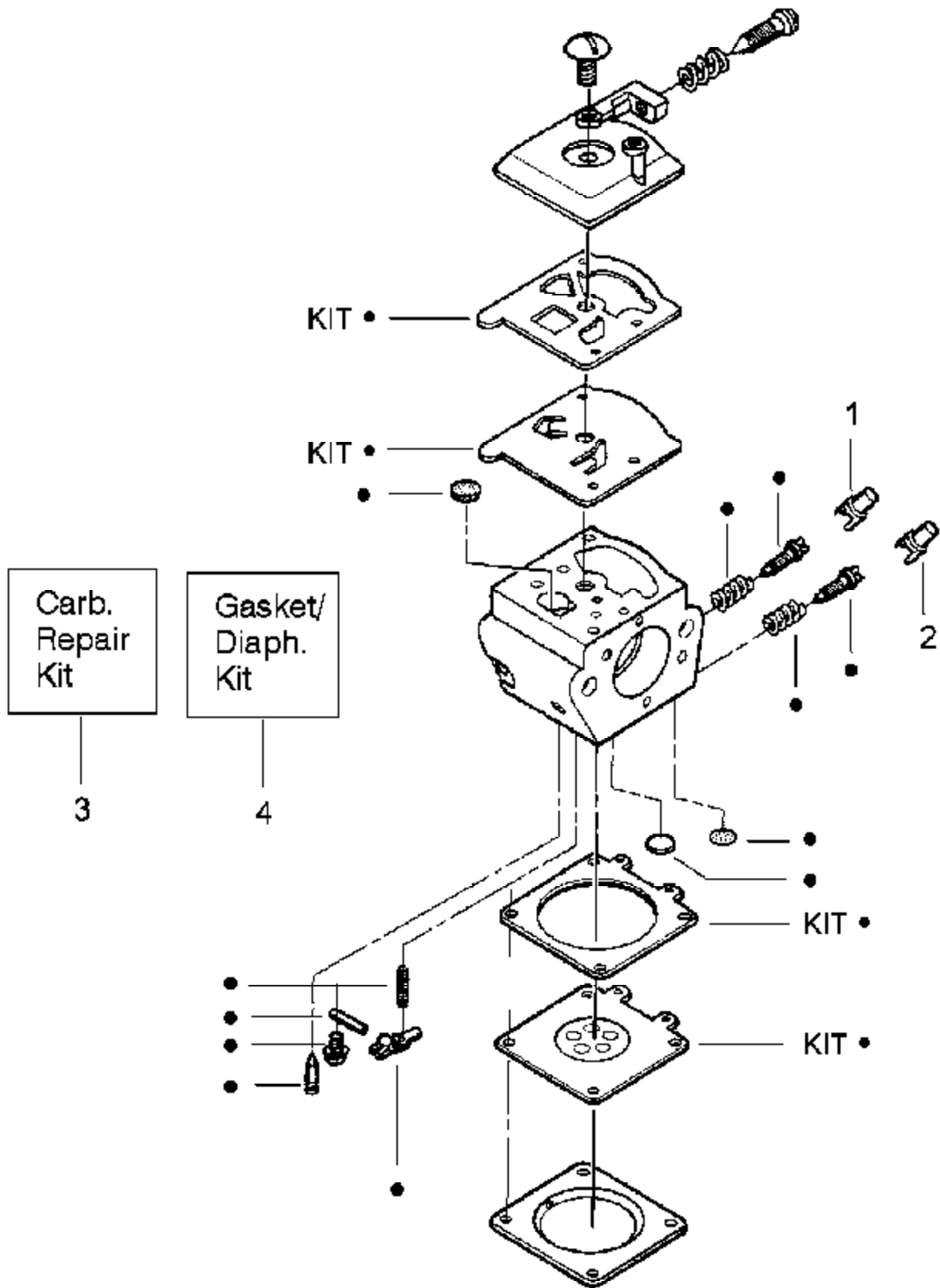


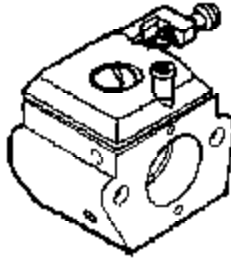
Carburetor Assembly - #530069722-WT391



Ref #	Part Number	Qty	Description
1	530038479		Limiter Cap High
2	530038478		Limiter Cap Low
3	530069826		Carburetor Repair Kit (DOT=Indicates Contents)
4	530069844		Gasket/Diaphragm Kit (KIT=Indicates Contents)
530069722	530069722		Carburetor Assembly - WT391

2250 Gas Saw Type 42 of 10
Carburetor Assembly (WT391)

Kit - Carburetor Assembly No. 530071621 - WT-625

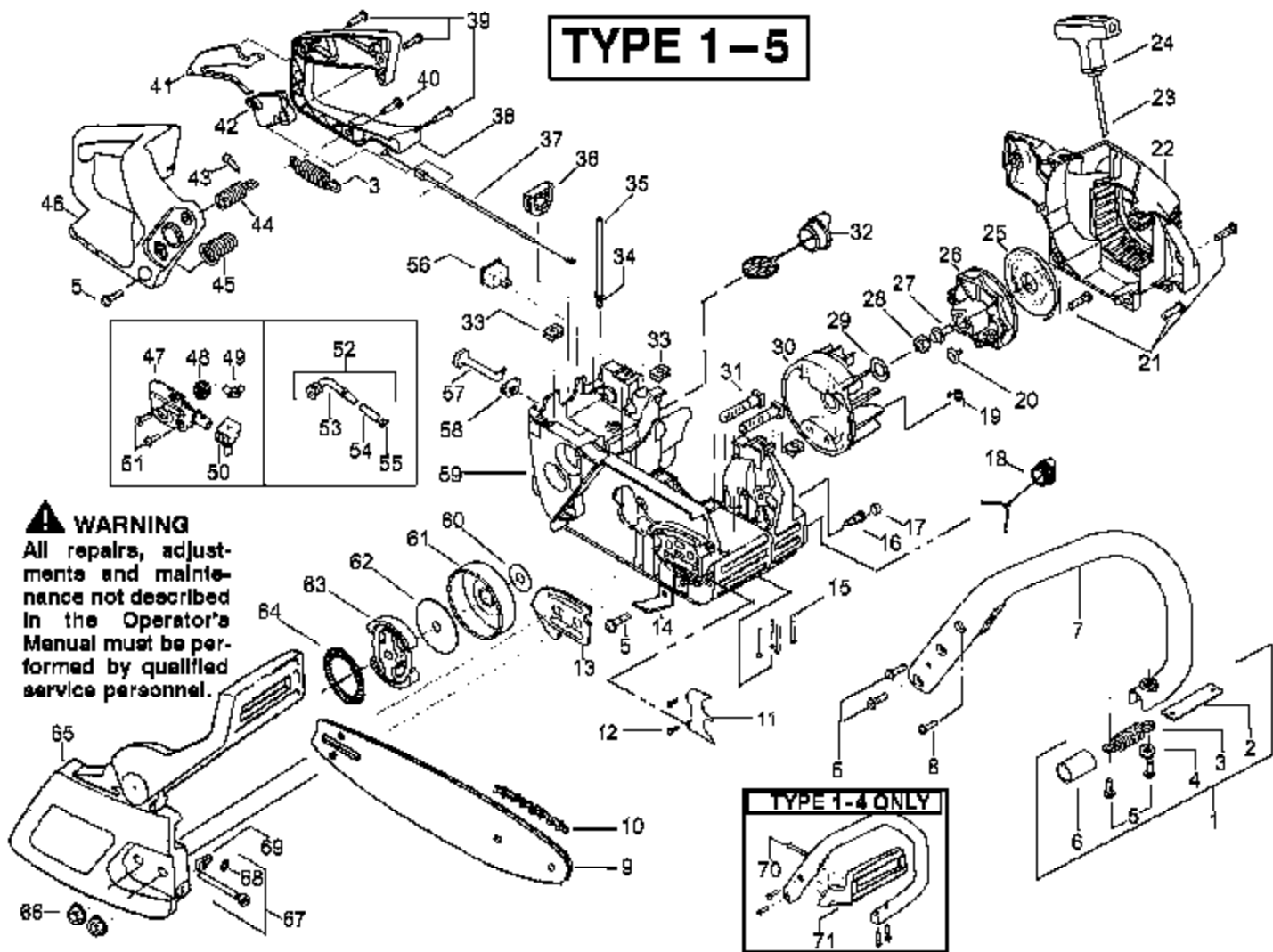


Note: No Repair kits are available for this carburetor, please order the complete assembly part number 530-071621 - WT-625

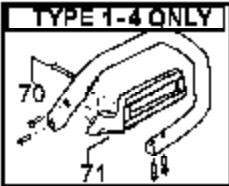
Ref #	Part Number	Qty	Description
530071621	530071621		Carburetor Assembly - WT-625

2250 Gas Saw Type 44 of 10
Carburetor Assembly (WT-625)

TYPE 1-5



WARNING
All repairs, adjustments and maintenance not described in the Operator's Manual must be performed by qualified service personnel.



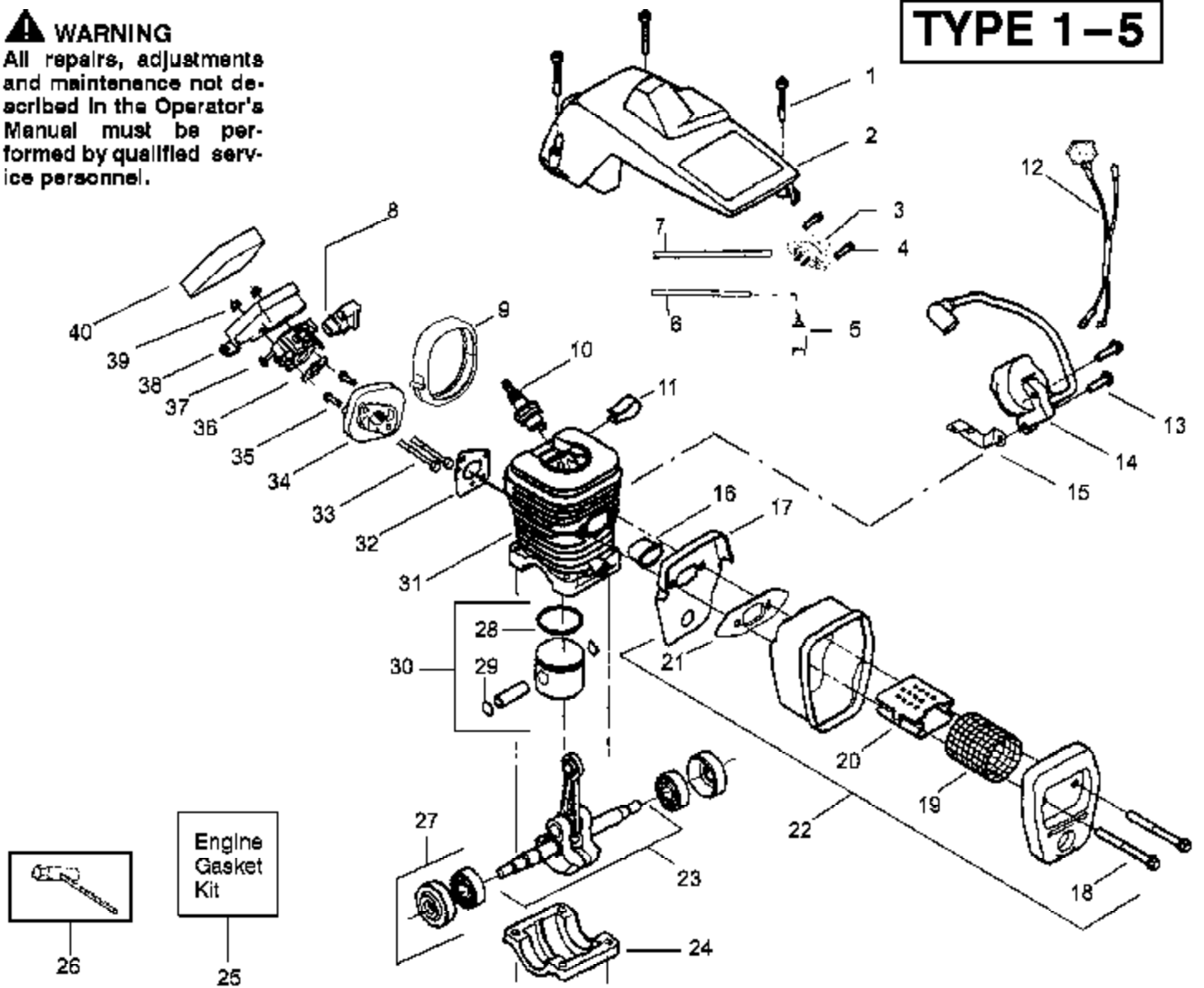
Ref #	Part Number	Qty	Description
1	530047963		Assy.-Isolator
2	530047608		Limiter Strap
3	530042082		Spring-Isolator
4	530015123		Washer
5	530015814		Screw
6	530036142		Sleeve-AV Spring
7	530047583		Front Handle
8	530016179		Screw
9	952044370		Bar-16"
	952044418		Bar-18"
10	952051211		Chain-16"
	952051338		Chain-18"
11	530014381	2250 Gas Saw Type 46 of 10	Kit-Spine Assy.
12	530015906	External Power Unit Type 1-5	Screw
13	530038238		Plate-Bar Mounting
14	530029850		Chain Catcher
15	530016132		Screw
16	530026119		Check Valve
17	530038264		Plug-Bronze Vent
18	530010846		Assy-Oil Cap
19	530023817		Spring-Starter Dog
20	530016080		Screw
21	530015892		Screw
22	530049334		Housing-Fan
23	530069232		Kit-Rope
24	530037485		Handle-Starter
25	530027531		Spring-Recoil
26	530037817		Pulley-Starter
27	530015920		Screw
28	530016134		Nut-Flywheel
29	530015127		Washer-Flywheel
30	530039209		Assy-Flywheel
31	530016133		Bolt-Bar
32	530047192		Assy-Fuel Cap
33	530015922		Nut-"U"-Type
34	530023877		Fitting-fuel line
35	530069216		Kit Fuel line (large)
36	530047631		Grommet-Cable
37	530047602		Cable-Throttle
38	530047581		Cover-Rear Handle
39	530015906		Screw
40	530015886		Screw
41	530036098		Throttle Lockout
42	530036097		Trigger-Throttle
43	530015875		Screw
44	530071385		Kit-Isolator (Upper)
45	530053274		Assy. Isolator lower
46	530047582		Handle Rear
47	530071259		Kit-Oil Pump (Incls. 48,49,50)
48	530037820		Gear-Worm Spring
49	530049477		Elbow-Oil Pickup
50	530019206		Block-Seal
51	530016064		Screw
52	530047663		Assy-Oil Pickup (Incl. 53-55)
53	530038373		Pickup-Oiler
54	530037821		Filter-Oil

Ref #	Part Number	Qty	Description
55	530030189		Plug-Oil Filter
56	530069572		Kit-Switch
57	530047605		Knob-Choke
58	530049005		Grommet-Knob
59	530047618		Assy-Chassis
60	530015907		Washer-Thrust
61	530047061		Assy.-Clutch Drum w/bearing
62	530015611		Washer-Clutch
63	530014949		Assy. Clutch (Incl.64)
64	530094188		Spring-Clutch
65	952069662		Kit-Chain Brake
66	530015917		Nut-Bar Mounting
67	530069611	2250 Gas Saw Base of 10	Kit-Bar Adjust (Incl. 68 & 69)
68	530038593	External Power Unit Type 15	Retainer-Bar Adjust
69	530015826		Pin-Bar Adjust
70	530016020		Bolt-Handguard (Type 1-4 only)
71	530038224		Handguard (Type 1-4 only)

⚠ WARNING

All repairs, adjustments and maintenance not described in the Operator's Manual must be performed by qualified service personnel.

TYPE 1-5



Ref #	Part Number	Qty	Description
1	530016153		Screw
2	530053183		Shield-Cylinder
3	530047213		Assy-Air Purge
4	530015780		Screw
5	530095646		Assy-Fuel Pick-up
6	530069247		Kit-Line Purge/Carb. (Small Dia)
7	530069216		Kit-Line Purge/Tank (large line)
8	530035526		Grommet-Carb Adjust.
9			Seal-Carb Adapter See Service Reference
10	952030150		Spark Plug (RCJ-7Y)
11	530016136		Clip-High Tension Lead
12	530049117		Assy-Wire Harness (Includes switch)
13	530015814	2250 Gas Saw Type 49 of 10	Screw
14	530052277	Internal Power Unit Type 1-5	Module-Ignition
15	530047442		Strap-Ground
16	530037652		Insulator-Heat
17	530049870		Back Plate-Muffler
18	530016132		Screw
19	530036103		Screen-Spark
20	530037813		Diffuser-Muffler
21	530069608		Gasket-Muffler
22	530047207		Assy-Muffler (Incl. 17-21)
23	530038507		Assy-Crankshaft 2250
23	530047062		Assy-Crankshaft 2450/2550
24	530037935		Cap-Crankcase
25	530069608		Kit-Engine Gasket (Incl. 36,32,21)
26	530031163		Scrench
27	530056363		Assy-Seal & Bearing
28	530029805		Ring-Piston 2250
28	530038729		Ring-Piston 2450/2550
29	530015697		Retainer - Piston Pin
30	530069604		Kit-Piston - 2250 (Incl. 28-29)
30	530069605		Kit-Piston - 2450/2550 (Incl. 28-29)
31	530071252		Kit-Cylinder 2250
31	530069932		Kit-Cylinder 2450/2550
32	530069608		Gasket-Carb. Adapter
33	530016187		Screw
34	530069964		Kit-Carb. Adapter
35	530015810		Screw
36	530069608		Carb. Gasket
37	530069722		Kit-Carburetor (WT-391)
37	530071621		Kit-Carburetor (WT-625)
38	530047604		Housing-Air Filter
39	530016101		Nut
40	530037793		Air Filter - Foam
	530087722		Operator Manual Type 1,2,3,4 Not Shown
	530163693		Operator Manual Type 5 Not Shown
	530049246		Decal-Inst. Not Shown

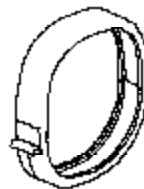
***** **Service Reference** *****

Note: Your chain saw may have either a one or two piece seal. Please note the two piece seal is no longer available.

Two Piece Seal



When you replace the one piece seal, or the two piece seal, order the **530054144** seal.



One Piece Seal