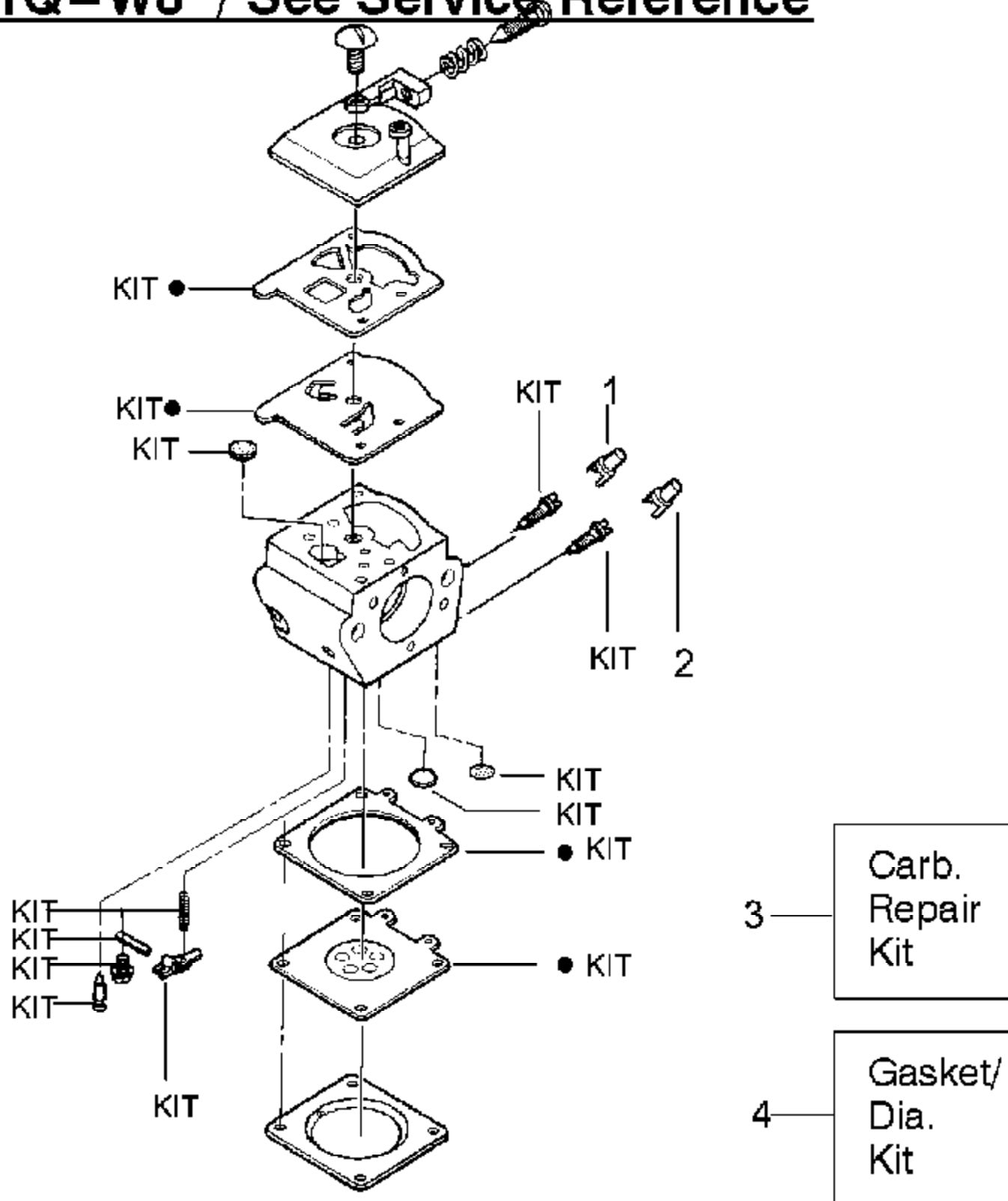


| Ref # | Part Number | Qty | Description |
|-----------|-------------|-----|--|
| 1 | 530038479 | | Limiter Cap High (brown) |
| 2 | 530038478 | | Limiter Cap Low (tan) |
| 3 | 530069826 | | Walbro (WT324) Carburetor Repair Kit (KIT= Indicates Contents) |
| 4 | 530069844 | | Walbro (WT324) Gasket Diaphragm Kit (DOT= Indicates Contents) |
| 5 | 530035383 | | Needle Low Speed |
| 6 | 530035293 | | Needle Spring Low Speed |
| 7 | 530035384 | | Needle High Speed |
| 8 | 530035295 | | Needle Spring High Speed |
| 530069703 | 530069703 | | Carburetor Assembly (Walbro WT324) |

1950 Gas Saw Type 52 of 11
Carburetor Assembly (Walbro

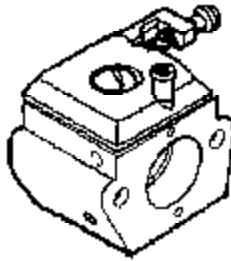
Zama Carburetor Assembly

C1Q-W8 / See Service Reference



| Ref # | Part Number | Qty | Description |
|-------|-------------|-----|---|
| 1 | 530038479 | | Limiter Cap High (brown) |
| 2 | 530038478 | | Limiter Cap Low (tan) |
| 3 | 530071352 | | Zama (C1Q-W8) Carburetor Repair Kit (KIT= Indicates Contents); The contents of the 530035270 Gasket/Diaphragm kit are included in the 530071352 Carb. Repair kit. See "Service Reference" |
| 4 | 530035270 | | Zama (C1Q-W8) Gasket Diaphragm Kit (DOT= Indicates Contents); If replacing the complete Zama Carburetor, it is not serviceable; you will need to order #530069703 Walbro Carburetor Assy. See "Service Reference" |
| | 530069703 | | Walbro Carburetor Assy. 1950 Gas Saw Type 54 of 11 Carburetor Assembly (Zama (|

Kit - Carburetor Assembly No. 530071618 - ZAMA W-14-A

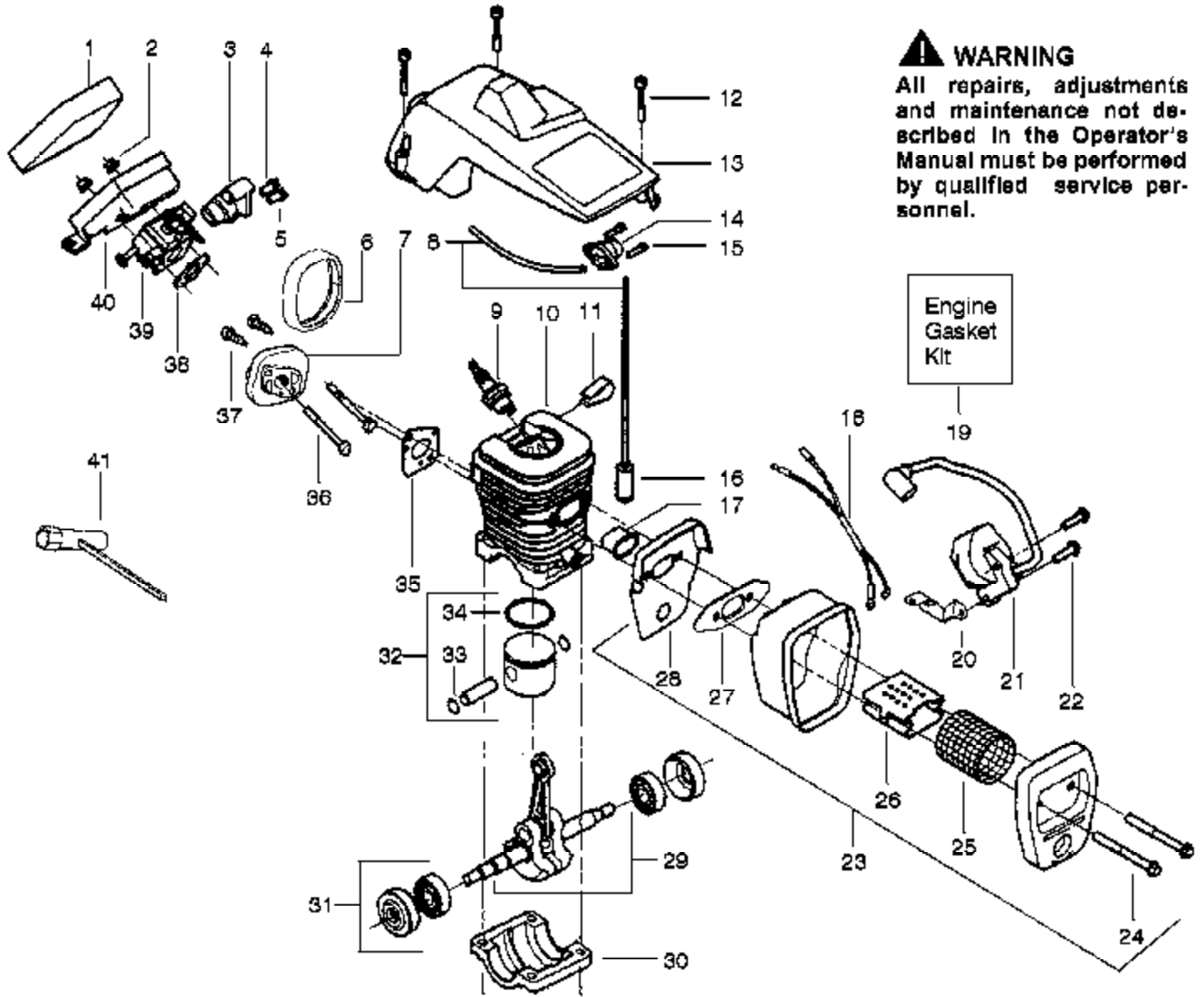


Note: No Repair kits are available for this carburetor, please order the complete assembly part number 530-071618 - W-14-A

| Ref # | Part Number | Qty | Description |
|-----------|-------------|-----|-----------------------------------|
| 530071618 | 530071618 | | Carburetor Assembly (Zama W-14-A) |

1950 Gas Saw Type 56 of 11
Carburetor Assembly (Zama 1

TYPE 1-5



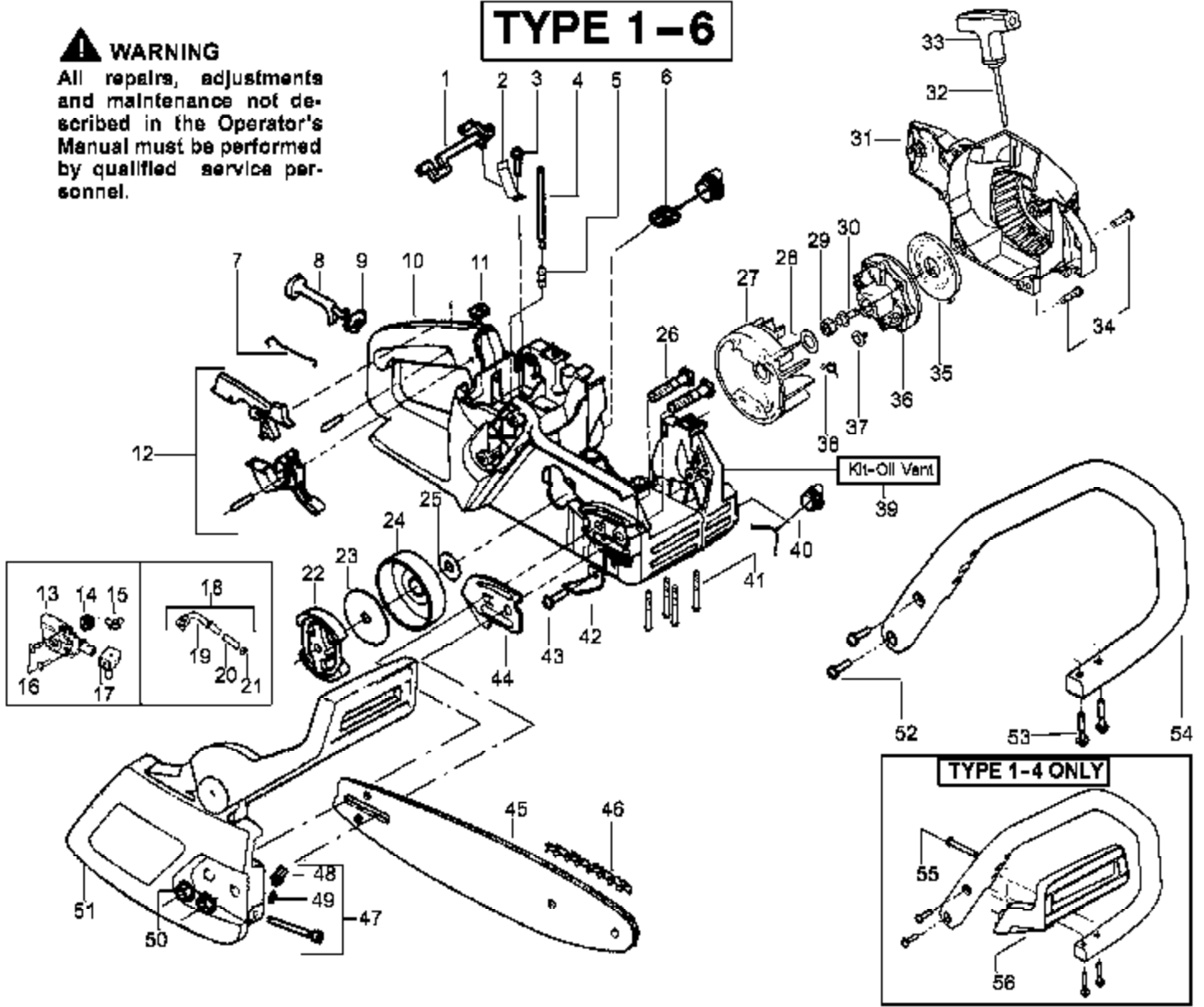
| Ref # | Part Number | Qty | Description |
|-------|-------------|-----|--|
| 1 | 530037793 | | Foam Air Filter |
| 2 | 530016101 | | Nut |
| 3 | 530049244 | | Grommet Carb Adjust |
| 4 | 530038479 | | Limiter Cap High |
| 5 | 530038478 | | Limiter Cap Low |
| 6 | 530054144 | | Seal Carb Adapter |
| 7 | 530049700 | | Carb. Adapter |
| 8 | 530069247 | | Fuel Line Kit (Small) |
| 9 | 952030150 | | Spark Plug (RCJ7Y) |
| 10 | 530069606 | | Cylinder Kit |
| 11 | 530016136 | | Clip High Tension Lead |
| 12 | 530016153 | | Screw |
| 13 | 530071310 | | Cylinder Shield |
| 14 | 530047213 | | Air Purge Assy. |
| 15 | 530015780 | | Screw |
| 16 | 530095646 | | Fuel Pickup Ass'y. |
| 17 | 530037652 | | Heat Insulator |
| 18 | 530052296 | | Assy.Wire Harness |
| 19 | 530069608 | | Kit Engine Gasket (Incl. 27, 35 & 38) |
| 20 | 530047442 | | Strap Ground |
| 21 | 530039167 | | Module Ignition |
| 22 | 530015814 | | Screw |
| 23 | 530047207 | | Assy Muffler (Incl. 24,25,26,27,28) |
| 24 | 530016132 | | Screw |
| 25 | 530036103 | | Screen Spark |
| 26 | 530037813 | | Diffuser Muffler |
| 27 | 530069608 | | Gasket Muffler (kit) |
| 28 | 530049870 | | Backplate Muffler |
| 29 | 530047062 | | Assy. Crankshaft |
| 30 | 530037935 | | Cap Crankcase |
| 31 | 530056363 | | Assy.Seal & Bearing |
| 32 | 530069604 | | Kit Piston (Incl. 33 & 34) |
| 33 | 530015697 | | Retainer Piston Pin |
| 34 | 530029805 | | Ring Piston |
| 35 | 530069608 | | Gasket Carb. Adap.(kit) |
| 36 | 530016187 | | Screw |
| 37 | 530016386 | | Screw |
| 38 | 530069608 | | Gasket Carb. (kit) |
| 39 | 530069703 | | Kit Carburetor (incl. 4 & 5) |
| 40 | 530037804 | | Housing Air Filter |
| 41 | 530031163 | | Wrench Bar |
| | 530086194 | | Type 1,2,3,4 Not Shown; Operator Manual |
| | 530088308 | | Type 5 Not Shown; Operator Manual |
| | 530038257 | | Decal Instruction Not Shown; Operator Manual |
| | 530038486 | | Decal Stop Not Shown; Operator Manual |

1950 Gas Saw Page 58 of 111
 Engine Assembly Type 1 & 5

⚠ WARNING

All repairs, adjustments and maintenance not described in the Operator's Manual must be performed by qualified service personnel.

TYPE 1-6



| Ref # | Part Number | Qty | Description |
|-------|-------------|----------------------------|-------------------------------------|
| 1 | 530038227 | | Lever-Switch (Includes Pin) |
| 2 | 530016149 | | Spring-Switch |
| 3 | 530015775 | | Screw |
| 4 | 530069216 | | Kit-Fuel Line (Large) |
| 5 | 530023877 | | Fitting |
| 6 | 530047192 | | Assy-Fuel Cap |
| 7 | 530037809 | | Wire-Throttle |
| 8 | 530047989 | | Lever-Choke |
| 9 | 530038406 | | Grommet-Choke Knob |
| 10 | 530069822 | | Kit-Chassis Assy |
| 11 | 530015922 | | Nut-Speed |
| 12 | 530071305 | | Kit-Trigger & Lockout |
| 13 | 530071259 | 1950 Gas Saw Page 50 of 11 | Kit-Clutch Pump (incl 14,15,17) |
| 14 | 530037820 | Handle, Chassis & Bar Assy | Gear-Worm Spring |
| 15 | 530049477 | | Elbow-Oil Pickup |
| 16 | 530016064 | | Screw |
| 17 | 530019206 | | Seal Block |
| 18 | 530047663 | | Assy-Oil-Pickup (Incl. 19, 20 & 21) |
| 19 | 530038373 | | Pickup-Oiler |
| 20 | 530037821 | | Filter-Oil |
| 21 | 530030189 | | Plug-Oil Filter |
| 22 | 530014949 | | Assy. - Clutch |
| 23 | 530015611 | | Washer-Clutch |
| 24 | 530047061 | | Assy-Drum W/brg. |
| 25 | 530015907 | | Washer - Thrust |
| 26 | 530016133 | | Bolt-Bar Mounting |
| 27 | 530039209 | | Assy-Flywheel |
| 28 | 530015127 | | Washer-Flywheel |
| 29 | 530016134 | | Nut-Flywheel |
| 30 | 530015920 | | Screw |
| 31 | 530049334 | | Housing-Fan |
| 32 | 530069232 | | Kit-Rope |
| 33 | 530037485 | | Handle-Starter |
| 34 | 530015892 | | Screw |
| 35 | 530027531 | | Spring-Starter |
| 36 | 530037817 | | Pulley-Starter |
| 37 | 530016080 | | Screw |
| 38 | 530023817 | | Spring - Starter Dog |
| 39 | 530071666 | | Kit-Oil Vent |
| 40 | 530010846 | | Assy-Oil Cap |
| 41 | 530016132 | | Screw |
| 42 | 530029850 | | Chain Catcher |
| 43 | 530015814 | | Screw |
| 44 | 530038238 | | Plate-Bar Mounting |
| 45 | 952044368 | | Bar-14" |
| 46 | 952051209 | | Chain-14" |
| 47 | 530069611 | | Kit-Bar Adjust (incl.48,49) |
| 48 | 530015826 | | Pin-Bar Adjust |
| 49 | 530038593 | | Retainer-Bar Adjust |
| 50 | 530015917 | | Nut-Bar Mounting |
| 51 | 530054735 | | Assy-Chain Brake (Type 1,2,3,4,5,6) |
| 52 | 530015814 | | Screw |
| 53 | 530015940 | | Screw |
| 54 | 530056798 | | Handle-Front |
| 55 | 530016020 | | Bolt-Handguard (Type 1-4 only) |
| 56 | 530038224 | | Handguard (Type 1-4 only) |

Walbro / Phelon Flywheel & Ignition Module Service Reference

When ordering a replacement flywheel or Ignition module, please refer to the specific brand (Walbro or Phelon) and order accordingly.