

Kit - Carburetor Assy # 530071633 - C1U-W13A



Note: No Repair kits are available for this carburetor, please order the complete assembly part number 530-071633 (C1U-W13A)

| Ref # | Part Number | Qty | Description |
|-----------|-------------|-----|----------------------------------|
| 530071633 | 530071633 | | Kit - Carburetor Assy - C1U-W13A |

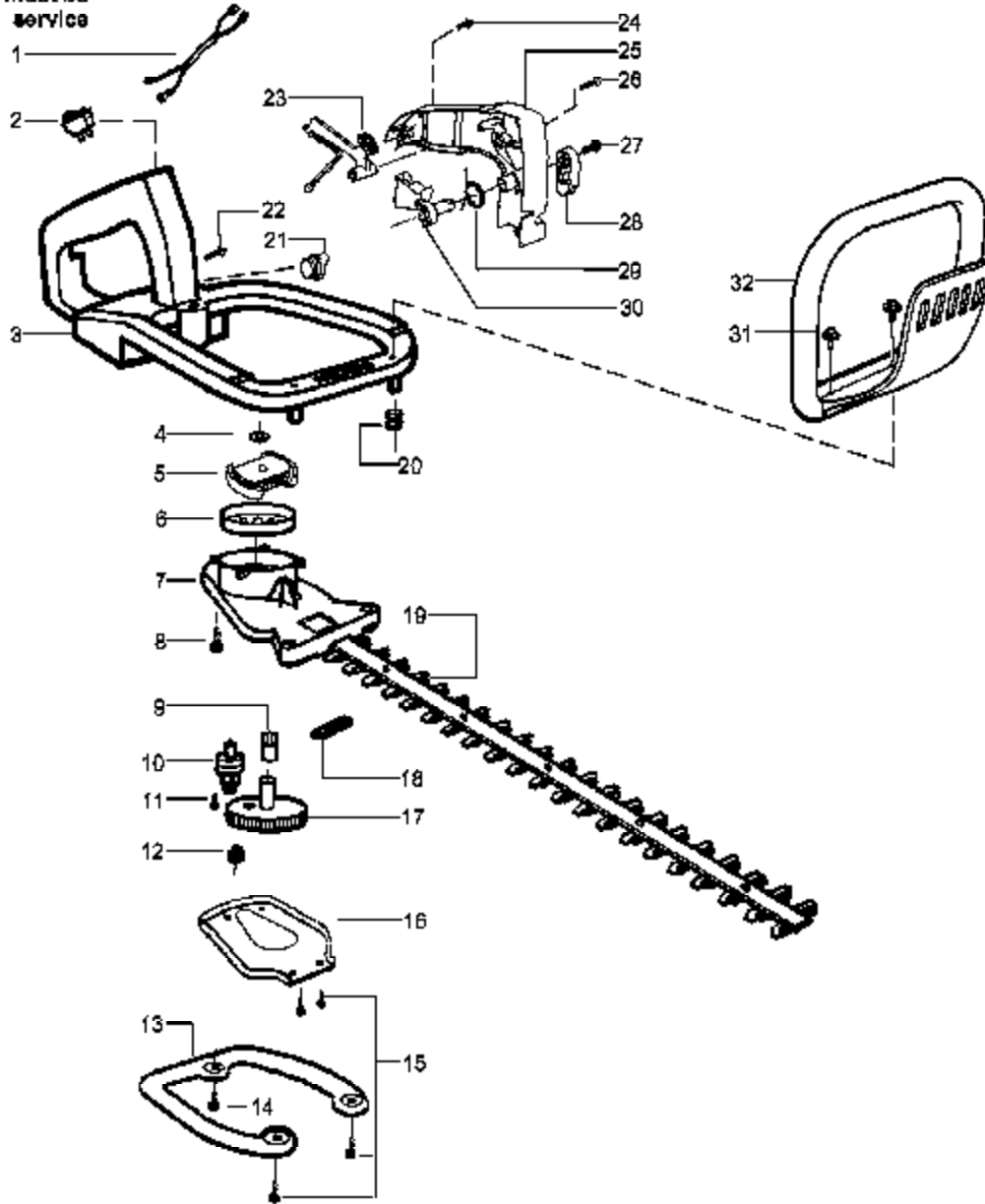
GHT220 Gas Hedge Trimmer
Carburetor Assembly (C1U-W



WARNING

All repairs, adjustments and maintenance not described in the Operator's Manual must be performed by qualified service personnel.

TYPE 4



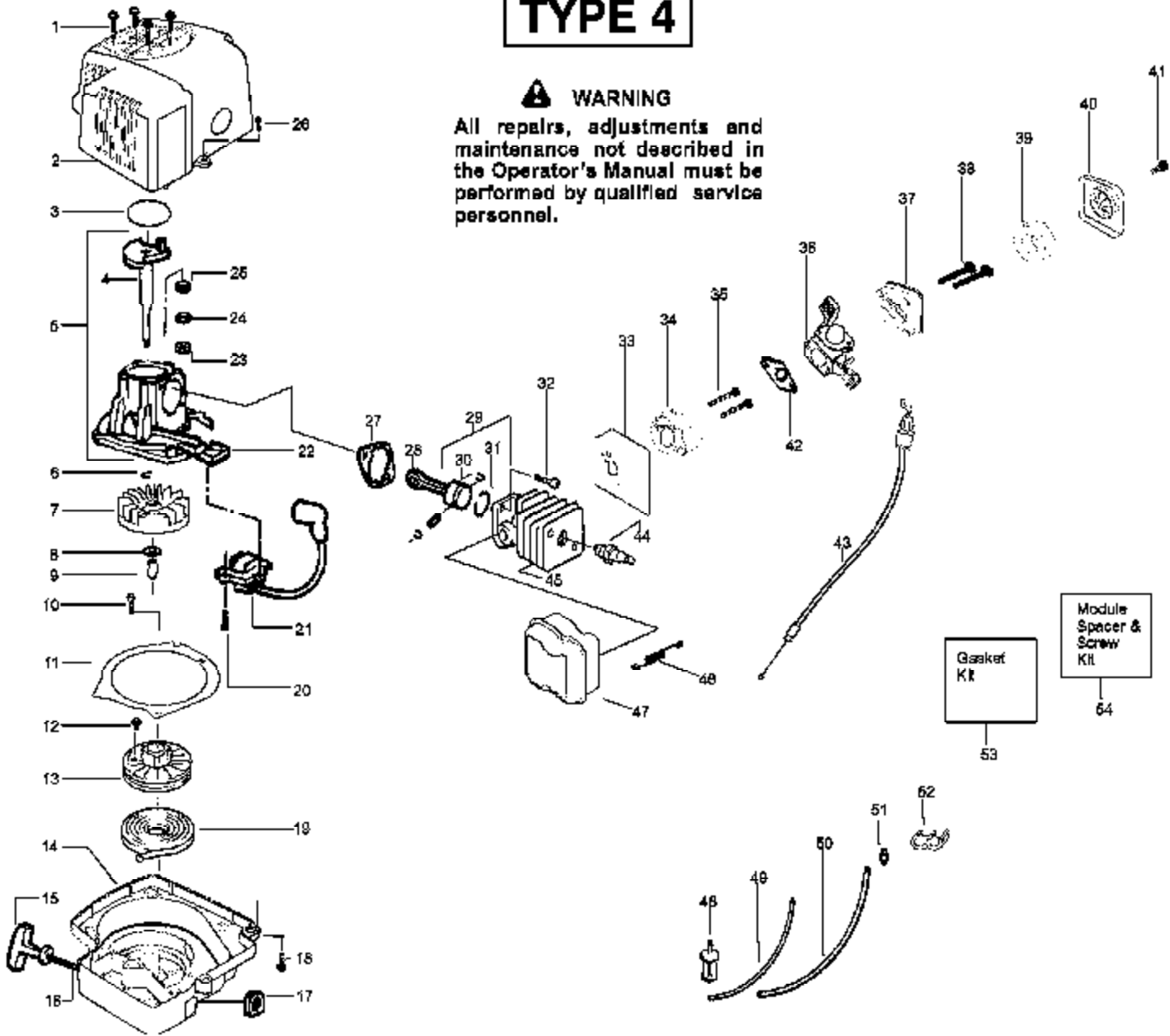
| Ref # | Part Number | Qty | Description |
|-------|-------------|-----|-----------------------------------|
| 1 | 530054133 | | Assy-Leadwire/Switch (Incl.#2) |
| 2 | 530029954 | | Switch-Ignition |
| 3 | 530071656 | | Assy-Rear Handle & Tank |
| 4 | 530015828 | | Washer-Clutch |
| 5 | 530014396 | | Kit-Clutch Assy. |
| 6 | 530056069 | | Assy-Drum |
| 7 | 530096102 | | Assy-Gear Box (Incl.# 9-11) |
| 8 | 530015886 | | Screw |
| 9 | 530016013 | | Bearing-Gear |
| 10 | 530096009 | | Assy-Pinion |
| 11 | 530015805 | | Screw |
| 12 | 530032121 | | Bushing-Blade |
| 13 | 530036046 | | Plate-Isolator |
| 14 | 530015849 | | Blade-Assembly Ty |
| 15 | 530015934 | | Screw |
| 16 | 530029916 | | Cover-Gear Box Plate |
| 17 | 530071690 | | Kit-Drive Gear Ass'y. (Incl. #12) |
| 18 | 530029948 | | Seal-Blade (Felt) |
| 19 | 530403228 | | Assy-Blade Blade 19" |
| 19 | 530403229 | | Assy-Blade Blade 22" |
| 20 | 530029946 | | Spring |
| 21 | 530014871 | | Assy-Fuel Cap |
| 22 | 530015770 | | Screw |
| 23 | 530053900 | | Lockout-Throttle |
| 24 | 530015934 | | Screw |
| 25 | 530038305 | | Cover-Handle |
| 26 | 530015940 | | Screw |
| 27 | 530015775 | | Screw |
| 28 | 530029958 | | Lever-Trigger |
| 29 | 530036123 | | Spring-Trigger |
| 30 | 530053884 | | Trigger |
| 31 | 530015955 | | Screw |
| 32 | 530094992 | | Handle-Front |

GHT220 Gas Hedge Trimmer
 Plate-Isolator
 Handle & Blade Assembly Ty

TYPE 4

⚠ WARNING

All repairs, adjustments and maintenance not described in the Operator's Manual must be performed by qualified service personnel.



| Ref # | Part Number | Qty | Description |
|-------|-------------|-----|--|
| 1 | 530016386 | | Screw |
| 2 | 530056450 | | Assy-Shroud |
| 3 | 530071486 | | O-Ring-Shrd (kit) |
| 4 | 530028802 | | Assy-Crankshaft |
| 5 | 530071729 | | Assy-C/case-C/shaft (Incl. #4,6 & 23-25) |
| 6 | 530015941 | | Ring-Retainer-C'shaft |
| 7 | 530069886 | | Assy-Flywheel |
| 8 | 530015828 | | Washer-Flat |
| 9 | 530055729 | | Spacer-Flywheel |
| 10 | 530015496 | | Screw |
| 11 | 530055681 | | Plate-Baffle |
| 12 | 530015882 | | Screw |
| 13 | 530069353 | | GHT220 Gas Head Rebuild Kit (Incl.# 12) |
| 14 | 530055762 | | Power Unit Type 4 Kit-Starter Pulley |
| 15 | 530027569 | | Assy-Fan Housing |
| 16 | 530069232 | | Handle-Starter |
| 17 | 530019182 | | Kit-Rope |
| 18 | 530016386 | | Grommet-Ignition Module |
| 19 | 530042085 | | Screw-(f/hsg to shrd) |
| 20 | 530015954 | | Spring-Starter |
| 21 | 530039163 | | Screw |
| 21 | 530054137 | | Ignition Module GHT 180/220 (USA only) |
| 22 | 530071627 | | Ignition Module GHT 220 (Canada only) |
| 23 | 530055728 | | Assy-Crankcase |
| 24 | 530071615 | | Bearing-Outer |
| 25 | 530032125 | | Kit-Crankcase Seal |
| 26 | 530015934 | | Bearing-Inner |
| 27 | 530071486 | | Screw |
| 28 | 530069945 | | Gasket-Cylinder (kit) |
| 29 | 530071357 | | Assy-Connecting Rod |
| 30 | 530015162 | | Kit-Piston (Incl. 30 & 31) |
| 31 | 530055120 | | Retainer-Piston Pin |
| 32 | 530015953 | | Ring-Piston |
| 33 | 530071486 | | Screw |
| 34 | 530056403 | | Gasket-Carb. Adapt.(kit) |
| 35 | 530016014 | | Adapter-Carburetor |
| 36 | 530071633 | | Screw |
| 37 | 530055680 | | Kit-Carburetor Ass'y. (C1U-W13A) |
| 38 | 530016353 | | Air Box |
| 39 | 530047932 | | Screw |
| 40 | 530055679 | | Air Filter Foam |
| 41 | 530015957 | | Air Filter Cover |
| 42 | 530071486 | | Screw |
| 43 | 530055547 | | Gasket-Carburetor (kit) |
| 44 | 952030249 | | Assy-Throttle Cable |
| 45 | 530071359 | | Spark Plug(RCJ-6Y) |
| 46 | 530042088 | | Kit-Cylinder |
| 47 | 530071574 | | Spring-Muffler |
| 48 | 530095992 | | Kit-Spark Muffler |
| 49 | 530069247 | | Assy-Pick-up |
| 50 | 530069216 | | Kit-Fuel Line(small) |
| 51 | 530023877 | | Kit-Fuel Line(large) |
| 52 | 530016103 | | Fitting-Fuel Line |
| 53 | 530071486 | | Clip-Retainer |
| 54 | 530071731 | | Kit-Gasket (Incl. #3, 27, 33 & 42) |
| | 530163353 | | Kit-Module Spacer & Screws |
| | | | Operator Manual USA Only Not Shown |

| Ref # | Part Number | Qty | Description |
|-------|-------------|-----|---------------------------------------|
| | 530163751 | | Operator Manual Canada Only Not Shown |
| | 530047459 | | Decal-Warning Not Shown |

GHT220 Gas Hedge Trimmer
Power Unit Type 4

★★★★★ Service Note: ★★★★★

Some units were mistakenly built and shipped with the wrong type numbers. If your unit shows a type 2(2 at the end of the serial number), refer to the following:

ALL UNITS built with a serial number beginning with 01365N and earlier are type 2's.
ALL UNITS built with a serial number beginning with 02001D and greater are type 3's

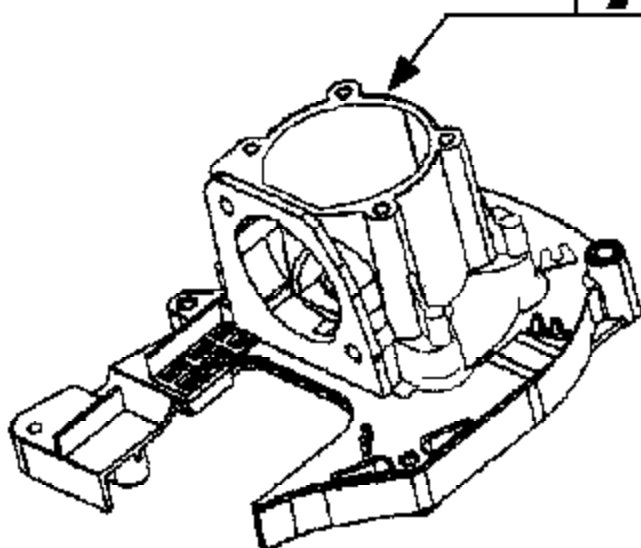
***** **SERVICE REFERENCE** *****

Note: When replacing item# 4 on page 1, please note if the surface indicated by the arrow is flat or has a beveled edge and order accordingly.

(A) Flat Surface - 530-019181 Gasket

(B) Beveled surface - 530-054624 O-ring

A



B

