

**Kit - Carburetor Assy # 530071633 - C1U-W13A**



**Note: No Repair kits are available for this carburetor, please order the complete assembly part number 530-071633 ( C1U-W13A )**

---

Ref #	Part Number	Qty	Description
530071633	530071633		Kit - Carburetor Assy - C1U-W13A

---

GHT220 Gas Helicopter  
Carburetor Assembly (C1U-W13A)

# TYPE 3,4

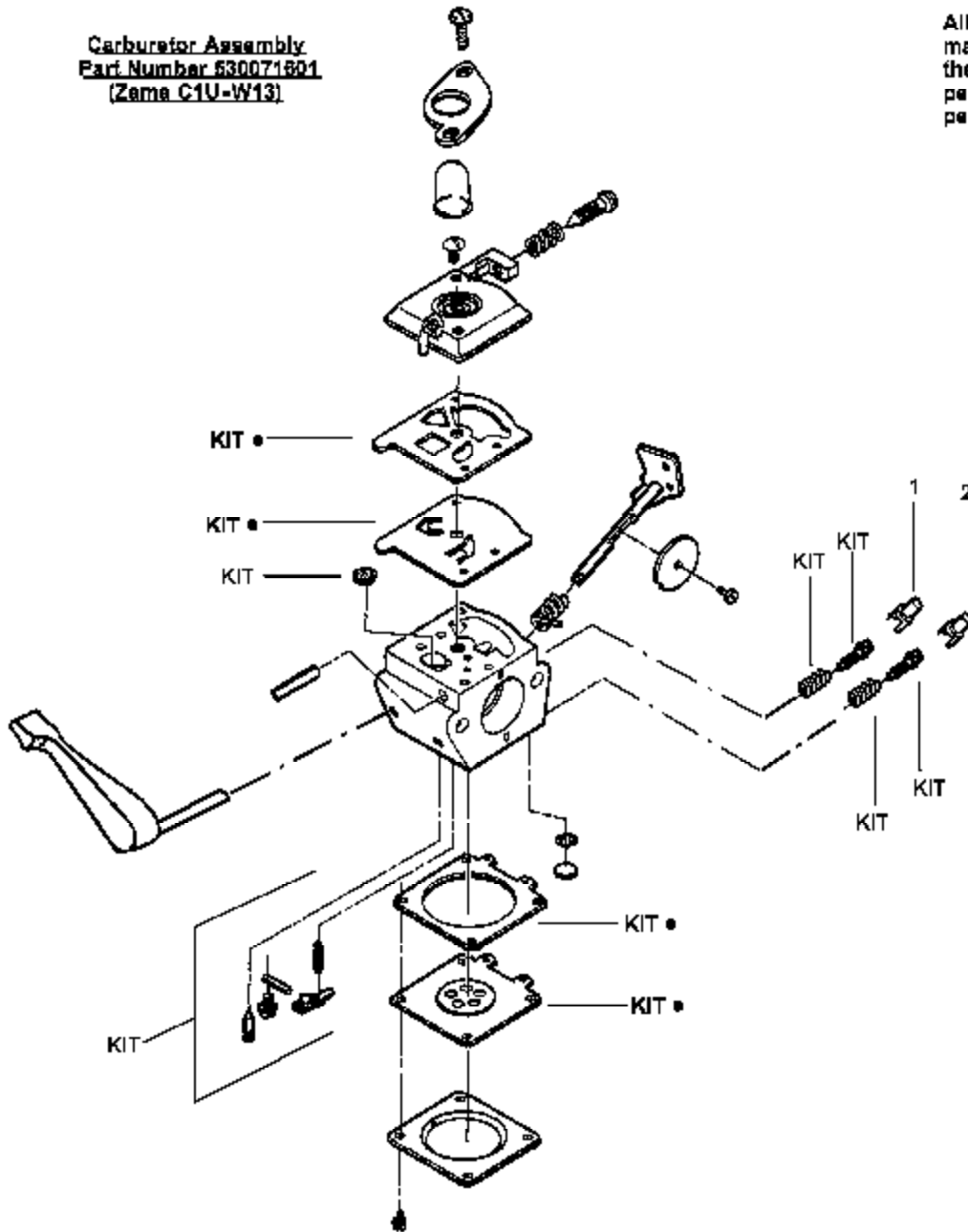
Please refer to the service note at the end of the IPL before ordering parts.

Carburetor Assembly  
Part Number 530071801  
(Zeme C1U-W13)



## WARNING

All repairs, adjustments and maintenance not described in the Operator's Manual must be performed by qualified service personnel.



Carb.  
Repair  
Kit

3

Gasket/  
Dia.  
Kit

4

Ref #	Part Number	Qty	Description
1	530038478		Limiter Cap-Low
2	530038479		Limiter Cap-High
3	530071517		Carburetor Repair Kit (KIT = CONTENTS)
4	530071442		Gasket/Diaphragm Kit (DOT = CONTENTS)
530071601	530071601		Carburetor Assembly (Zama C1U-W13)

GHT220 Gas Helicopter  
Page 4 of 11  
Carburetor Assembly (Zama C1U-W13)

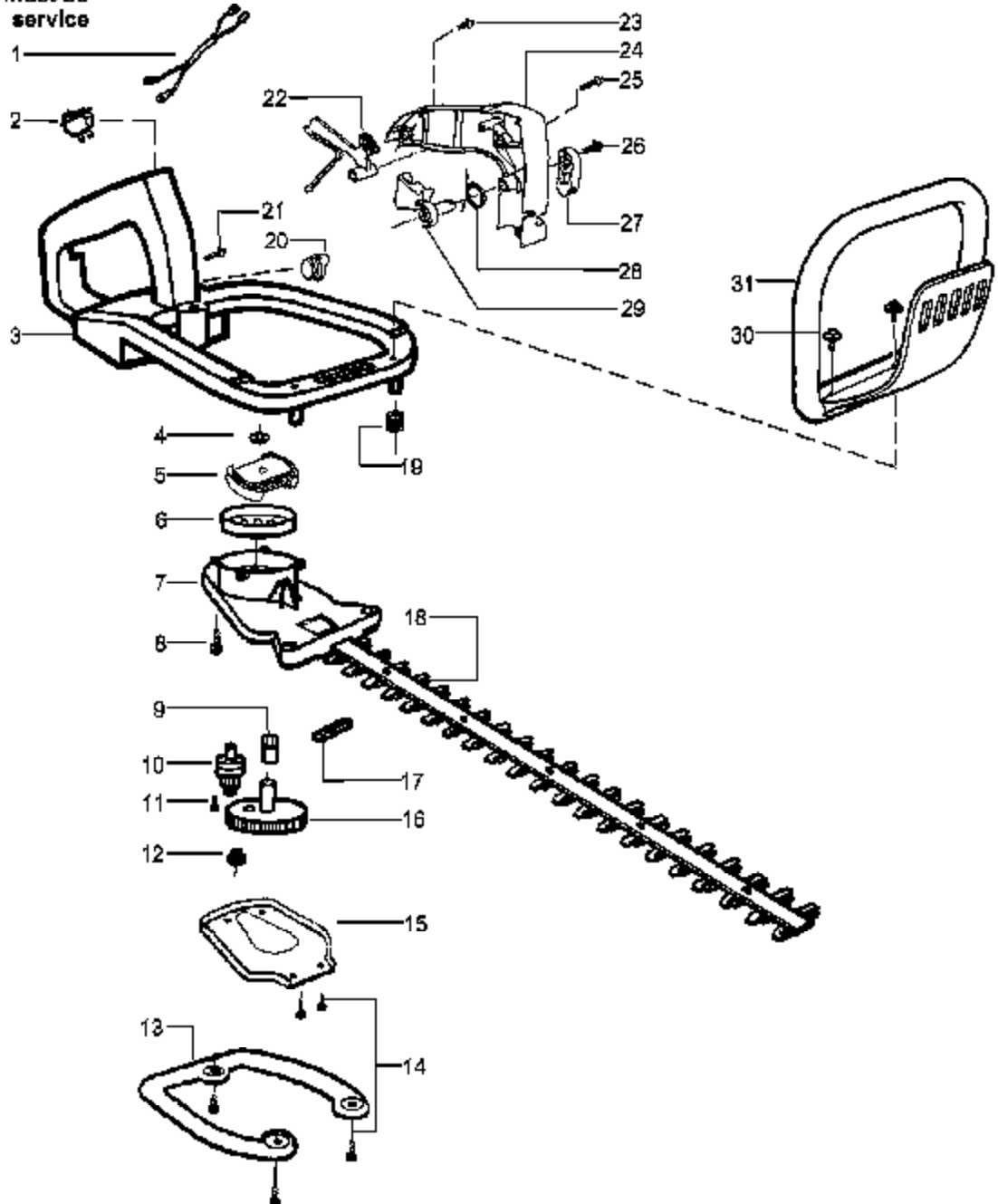


**WARNING**

All repairs, adjustments and maintenance not described in the Operator's Manual must be performed by qualified service personnel.

**TYPE 3 ONLY**

Please refer to the service note at the end of the IPL before ordering parts.



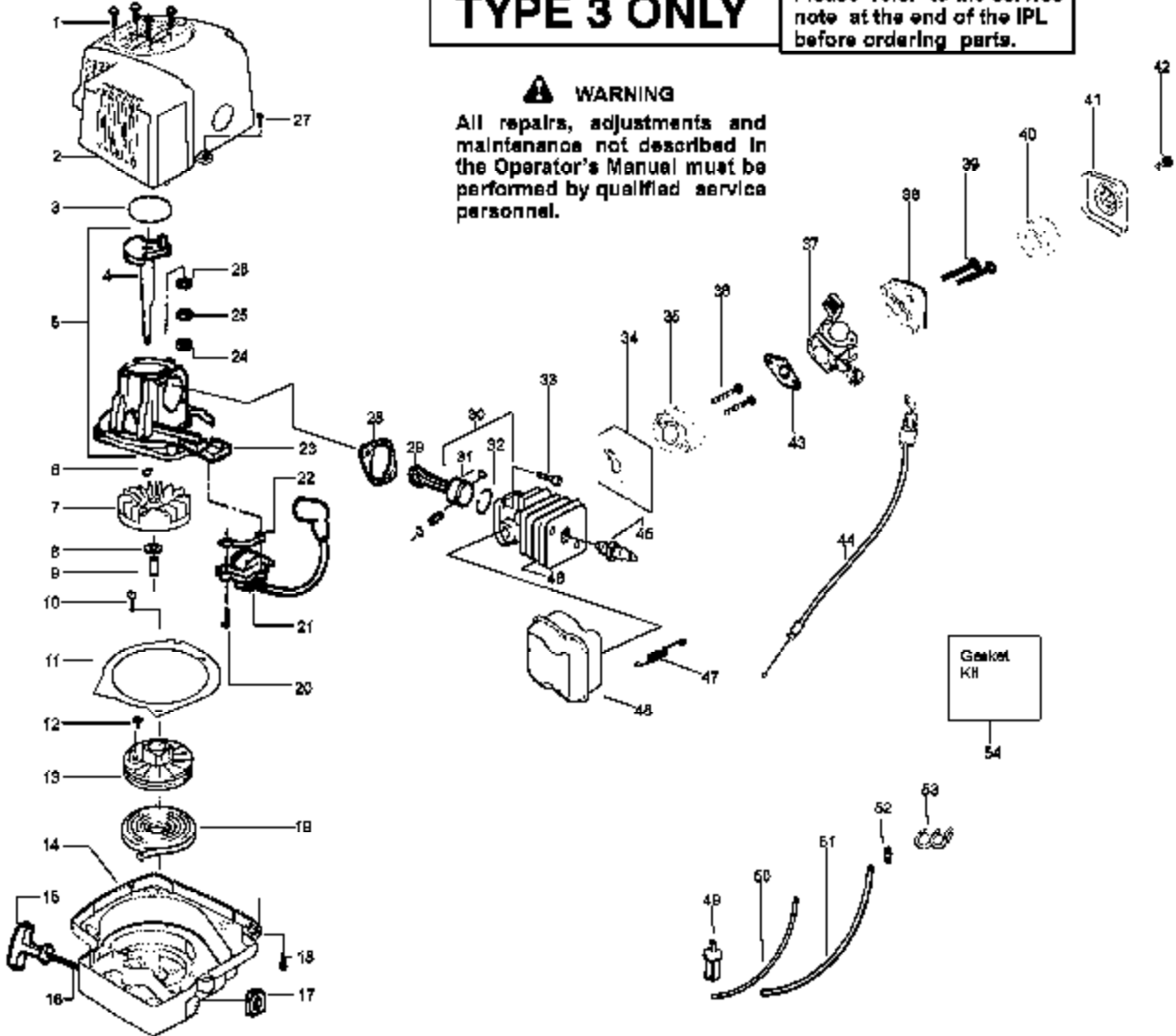
Ref #	Part Number	Qty	Description
1	530054133		Assy-Leadwire/Switch (Incl.#2)
2	530029954		Switch-Ignition
3	530055763		Assy-Rear Handle & Tank
4	530015828		Washer-Clutch
5	530014396		Kit-Clutch Assy.
6	530056069		Assy-Drum
7	530014399		Assy-Gear Box (Incl.# 9-11)
8	530015886		Screw
9	530016013		Bearing-Gear
10	530036228		Assy-Pinion
11	530015805		Screw
12	530032121		Bushing-Blade
13	530036046		Plate-Isolator
14	530015934		Handle & Blade Assembly Ty
15	530029916		Cover-Gear Box Plate
16	530069355		Kit-Drive Gear Ass'y. (Incl. #12)
17	530029948		Seal-Blade (Felt)
18	530403228		Assy-Blade Blade 19"
18	530403229		Assy-Blade Blade 22"
19	530029946		Spring
20	530036965		Assy-Fuel Cap
21	530015770		Screw
22	530053900		Lockout-Throttle
23	530015934		Screw
24	530038305		Cover-Handle
25	530015940		Screw
26	530015775		Screw
27	530029958		Lever-Trigger
28	530036123		Spring-Trigger
29	530053884		Trigger
30	530015955		Screw
31	530094992		Handle-Front

# TYPE 3 ONLY

Please refer to the service note at the end of the IPL before ordering parts.

## WARNING

All repairs, adjustments and maintenance not described in the Operator's Manual must be performed by qualified service personnel.



Ref #	Part Number	Qty	Description
1	530016386		Screw
2	530056450		Assy-Shroud
3	530071486		O-Ring-Shrd (kit)
4	530028802		Assy-Crankshaft
5	530071485		Assy-C/case-C/shaft (Incl. #4,6 & 24-26)
6	530015941		Ring-Retainer-C'shaft
7	530071487		Assy-Flywheel
8	530015828		Washer-Flat
9	530055729		Spacer-Flywheel
10	530015496		Screw
11	530055681		Plate-Baffle
12	530015882		Screw
13	530069353		Kit-Starter Pulley (Incl.# 12)
14	530055762		Assy-Fan Housing
15	530027569		Handle-Starter
16	530069232		Kit-Rope
17	530019182		Grommet-Ignition Module
18	530016386		Screw-(f/hsg to shrd)
19	530042085		Spring-Starter
20	530015954		Screw
21	530039163		Ignition Module
22	530036145		Spacer-Ign. Module
23	530012491		Assy-Crankcase
24	530055728		Bearing-Outer
25	530071615		Kit-Crankcase Seal
26	530032125		Bearing-Inner
27	530015934		Screw
28	530071486		Gasket-Cylinder (kit)
29	530069945		Assy-Connecting Rod
30	530071357		Kit-Piston (Incl. 31 & 32)
31	530015162		Retainer-Piston Pin
32	530055120		Ring-Piston
33	530015953		Screw
34	530071486		Gasket-Carb. Adapt.(kit)
35	530056403		Adapter-Carburetor
36	530016014		Screw
37	530071601		Kit-Carburetor Ass'y. (C1U-W13)
37	530071633		Kit-Carburetor Ass'y. (C1U-W13A)
38	530055680		Air Box
39	530016353		Screw
40	530047932		Air Filter Foam
41	530055679		Air Filter Cover
42	530015957		Screw
43	530071486		Gasket-Carburetor (kit)
44	530055547		Assy-Throttle Cable
45	952030249		Spark Plug(RCJ-6Y)
46	530071359		Kit-Cylinder
47	530042088		Spring-Muffler
48	530071574		Kit-Spark Muffler
49	530095992		Assy-Pick-up
50	530069247		Kit-Fuel Line(small)
51	530069216		Kit-Fuel Line(large)
52	530023877		Fitting-Fuel Line
53	530016103		Clip-Retainer
54	530071486		Kit-Gasket (Incl. #3, 28, 34 & 43)
	530163353		Operator Manual Not Shown

---

Ref #	Part Number	Qty	Description
	530047459		Decal-Warning Not Shown

---

GHT220 Gas Helium Transfer  
Power Unit Type 3

**★★★★★ Service Note: ★★★★★**

Some units were mistakenly built and shipped with the wrong type numbers. If your unit shows a type 2( 2 at the end of the serial number), refer to the following:

**ALL UNITS built with a serial number beginning with 01365N and earlier are type 2's.**  
**ALL UNITS built with a serial number beginning with 02001D and greater are type 3's**

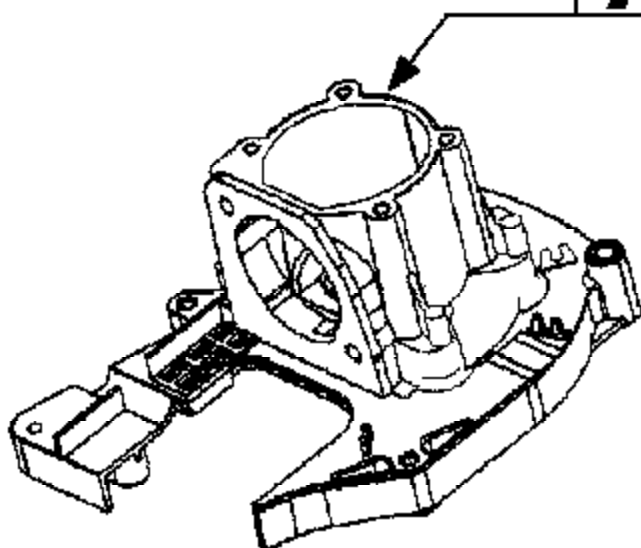
\*\*\*\*\* **SERVICE REFERENCE** \*\*\*\*\*

Note: When replacing item# 4 on page 1, please note if the surface indicated by the arrow is flat or has a beveled edge and order accordingly.

(A) Flat Surface - 530-019181 Gasket

(B) Beveled surface - 530-054624 O-ring

**A**



**B**

