

**Kit - Carburetor Assy # 530071633 - C1U-W13A**



**Note: No Repair kits are available for this carburetor, please order the complete assembly part number 530-071633 ( C1U-W13A )**

---

| Ref #     | Part Number | Qty | Description                      |
|-----------|-------------|-----|----------------------------------|
| 530071633 | 530071633   |     | Kit - Carburetor Assy - C1U-W13A |

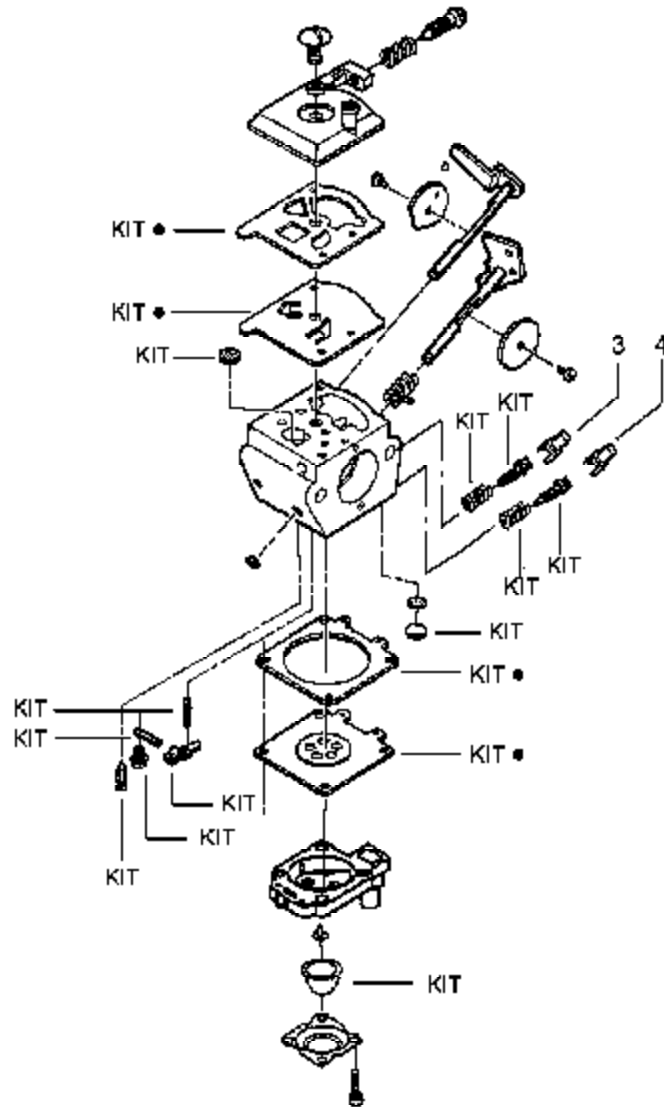
---

GHT220 Gas Helicopter  
Carburetor Assembly (C1U-W13A)

# TYPE 1,2 ONLY

Please refer to the service note at the end of the IPL before ordering parts.

**Type 1,2 -Carburetor Number  
#530069682 - C1U-W4 (Zama)**



Carb.  
Repair  
Kit

Gasket/  
Dia.  
Kit

1

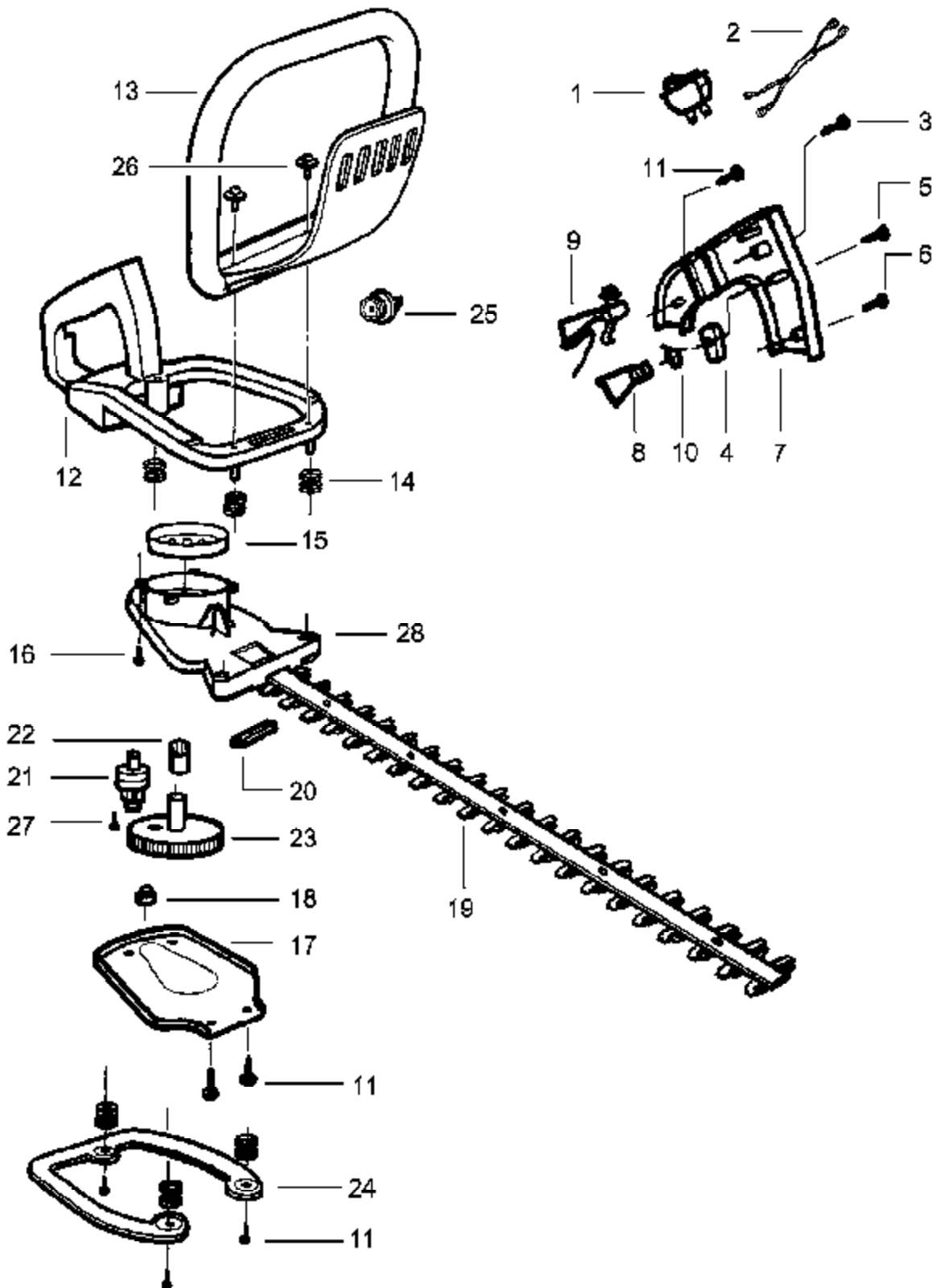
2

| Ref #     | Part Number | Qty | Description                                     |
|-----------|-------------|-----|---|
| 1         | 530069969   |     | Kit-Carb. Repair (KIT = Indicates Contents)     |
| 2         | 530069866   |     | Kit-Gasket/Diaphragm (DOT = Indicates Contents) |
| 3         | 530038478   |     | Limiter Cap (Low) tan                           |
| 4         | 530038479   |     | Limiter Cap (High) brown                        |
| 530069682 | 530069682   |     | Carburetor Assembly (Zama C1U-W4)               |

GHT220 Gas Helicopter  
Page 4 of 4  
Carburetor Assembly (Zama C1U-W4)

# TYPE 1,2 ONLY

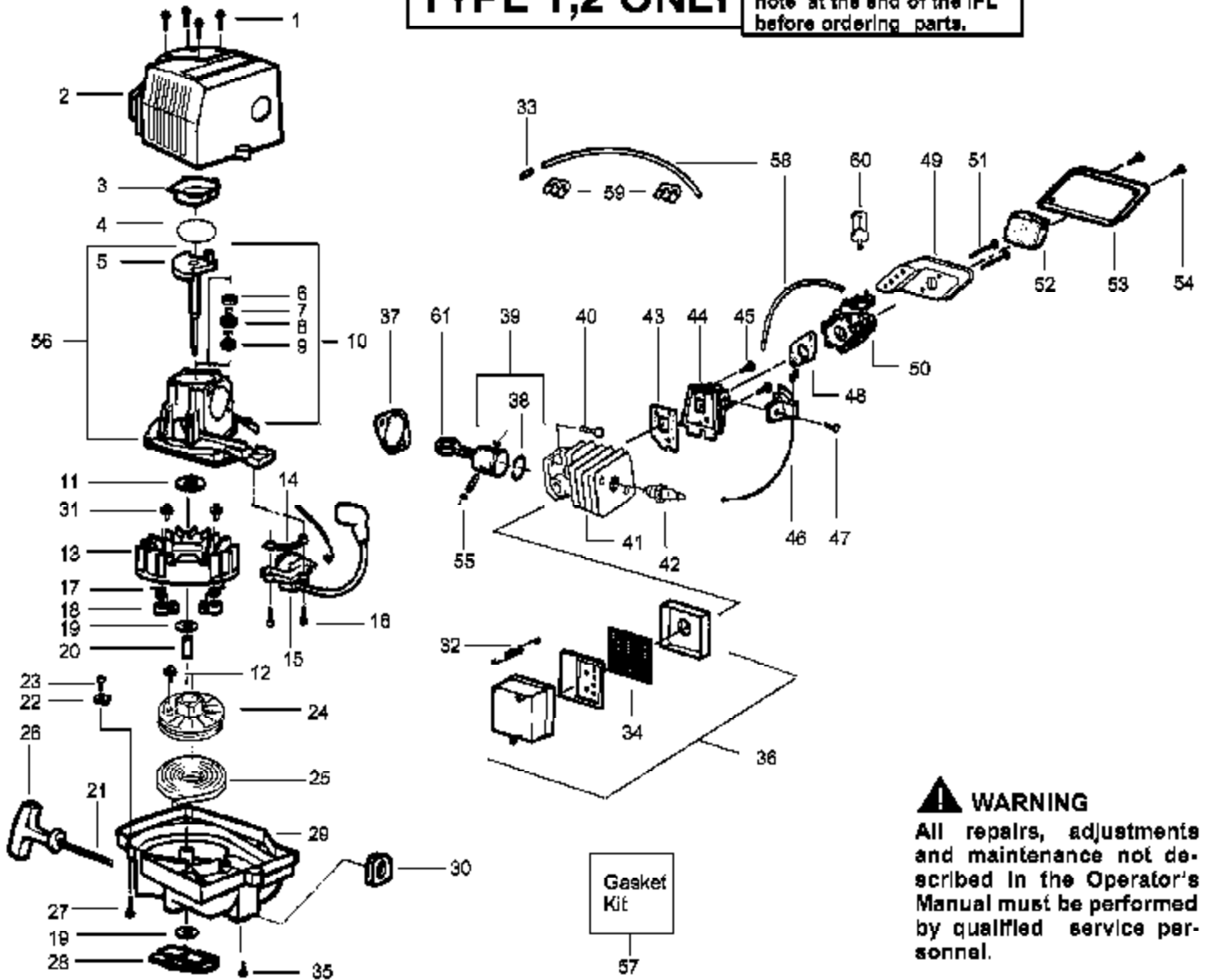
Please refer to the service note at the end of the IPL before ordering parts.



| Ref # | Part Number | Qty                     | Description                       |
|-------|-------------|-------------------------|-----------------------------------|
| 1     | 530029954   |                         | Switch-Ignition                   |
| 2     | 530054133   |                         | Assy-Switch Wire                  |
| 3     | 530015775   |                         | Screw                             |
| 4     | 530029958   |                         | Lever-Trigger                     |
| 5     | 530015940   |                         | Screw                             |
| 6     | 530015770   |                         | Screw                             |
| 7     | 530038305   |                         | Cover-Handle                      |
| 8     | 530053884   |                         | Trigger-Throttle                  |
| 9     | 530053900   |                         | Lockout-Throttle                  |
| 10    | 530036123   |                         | Spring-Trigger                    |
| 11    | 530015934   |                         | Screw                             |
| 12    | 530047879   |                         | Assy-Rear Handle/Tank             |
| 13    | 530094992   | GHT220 Gas Hedge Cutter | Handle-Front                      |
| 14    | 530029946   | Handle & Blade Assembly | Spring                            |
| 15    | 530048113   |                         | Assy-Clutch & Drum                |
| 16    | 530015814   |                         | Screw                             |
| 17    | 530029916   |                         | Plate-Gear Box                    |
| 18    | 530032121   |                         | Bushing-Blade                     |
| 19    | 530403228   |                         | Assy-Blade 19"                    |
| 19    | 530403229   |                         | Assy-Blade 22"                    |
| 20    | 530029948   |                         | Seal-Blade                        |
| 21    | 530036228   |                         | Assy-Pinion                       |
| 22    | 530016013   |                         | Bearing-Gear                      |
| 23    | 530069355   |                         | Assy-Drive Gear                   |
| 24    | 530036046   |                         | Plate-Isolator                    |
| 25    | 530036965   |                         | Assy-Fuel Cap                     |
| 26    | 530015955   |                         | Screw                             |
| 27    | 530015805   |                         | Screw                             |
| 28    | 530014399   |                         | Assy-Gear Box (Incl. 21, 22 & 27) |

# TYPE 1,2 ONLY

Please refer to the service note at the end of the IPL before ordering parts.



**⚠ WARNING**  
All repairs, adjustments and maintenance not described in the Operator's Manual must be performed by qualified service personnel.

| Ref # | Part Number | Qty                        | Description                                  |
|-------|-------------|----------------------------|--|
| 1     | 530015810   |                            | Screw  |
| 2     | 530036345   |                            | Shroud                                       |
| 3     | 530029929   |                            | Cover-Crankcase                              |
| 4     |             |                            | O-ring/Gasket/C'case See "Service Reference" |
| 5     | 530014307   |                            | Assy-Crankshaft                              |
| 6     | 530032125   |                            | Bearing-Inner                                |
| 7     | 530015945   |                            | Retainer-C'case                              |
| 8     | 530019179   |                            | Seal-Crankcase                               |
| 9     | 530032124   |                            | Bearing-Outer                                |
| 10    | 530012414   |                            | Assy-Crankcase (Incl. 6-9)                   |
| 11    | 530015941   |                            | Ring-Ret. (C'shaft)                          |
| 12    | 530016080   |                            | Screw  |
| 13    | 530039149   | GHT220 Gas Helium Transfer | Assy-Flywheel                                |
| 14    | 530036145   | Power Unit Type 1 & 2      | Spacer-Ignit. Mod.                           |
| 15    | 530039163   |                            | Module-Ignition                              |
| 16    | 530015954   |                            | Screw  |
| 17    | 530016191   |                            | Spring-Starter Dog                           |
| 18    | 530049284   |                            | Starter Dog                                  |
| 19    | 530015828   |                            | Washer-Flat                                  |
| 20    | 530015930   |                            | Spacer-Flywheel                              |
| 21    | 530069232   |                            | Kit-Rope                                     |
| 22    | 530015963   |                            | Retainer                                     |
| 23    | 530015496   |                            | Screw  |
| 24    | 530069353   |                            | Kit-Starter Pulley                           |
| 25    | 530042085   |                            | Spring-Starter                               |
| 26    | 530027569   |                            | Handle-Starter                               |
| 27    | 530015886   |                            | Screw  |
| 28    | 530014396   |                            | Kit-Clutch Ass'y.                            |
| 29    | 530014361   |                            | Assy-Fan Housing                             |
| 30    | 530019182   |                            | Grommet-Ignit. Module                        |
| 31    | 530015882   |                            | Screw  |
| 32    | 530016197   |                            | Spring-Muffler                               |
| 33    | 530023877   |                            | Fitting-Fuel Line                            |
| 34    | 530036180   |                            | Screen-Muffler                               |
| 35    | 530015934   |                            | Screw  |
| 36    | 530069659   |                            | Kit-Muffler                                  |
| 37    | 530019223   |                            | Gasket-Cylinder                              |
| 38    | 530036404   |                            | Ring-Piston                                  |
| 39    | 530069621   |                            | Kit-Piston (Incl.38,55)                      |
| 40    | 530015953   |                            | Screw  |
| 41    | 530069619   |                            | Kit-Cylinder                                 |
| 42    | 952030201   |                            | Spark Plug (RCJ-8Y)                          |
| 43    | 530019233   |                            | Gasket-Cylinder/Carb. Adaptor                |
| 44    | 530049024   |                            | Carb. Adaptor                                |
| 45    | 530016014   |                            | Screw  |
| 46    | 530014384   |                            | Assy-Throttle Cable                          |
| 47    | 530015775   |                            | Screw  |
| 48    | 530019194   |                            | Gasket-Carburetor                            |
| 49    | 530036192   |                            | Air Box                                      |
| 50    | 530069682   |                            | Kit-Carb. Ass'y. (Incls. Limiter Caps)       |
| 51    | 530015849   |                            | Screw  |
| 52    | 530029934   |                            | Air Filter- Foam                             |
| 53    | 530036193   |                            | Air Filter -Cover                            |
| 54    | 530015635   |                            | Screw  |
| 55    | 530015162   |                            | Piston Pin Retainer                          |
| 56    | 530014973   |                            | C'case & C'shaft Assy. (Incl. 5 & 10)        |

| Ref # | Part Number | Qty | Description                               |
|-------|-------------|-----|---|
| 57    | 530069622   |     | Kit-Gasket (Incl. 4, 37, 43 & 48)         |
| 58    | 530069599   |     | Kit-Fuel Line (Incl. Fuel and Vent lines) |
| 59    | 530016103   |     | Retainer Clip                             |
| 60    | 530095647   |     | Assy-Fuel Pick-up                         |
| 61    | 530069615   |     | Kit-Connecting Rod                        |
|       | 530087628   |     | Operator's Manual Not Shown               |
|       | 530047459   |     | Decal-Warning Not Shown                   |

GHT220 Gas Heated Transfer  
Page 1 of 1  
Power Unit Type 1 & 2

**★★★★★ Service Note: ★★★★★**

Some units were mistakenly built and shipped with the wrong type numbers. If your unit shows a type 2( 2 at the end of the serial number), refer to the following:

**ALL UNITS built with a serial number beginning with 01365N and earlier are type 2's.**  
**ALL UNITS built with a serial number beginning with 02001D and greater are type 3's**

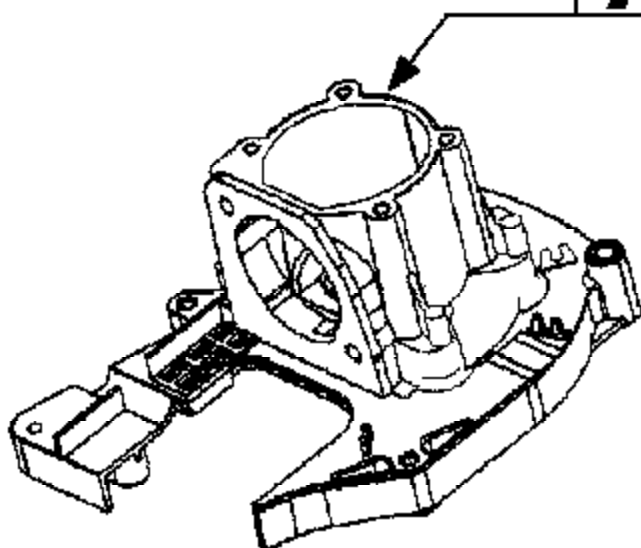
\*\*\*\*\* **SERVICE REFERENCE** \*\*\*\*\*

Note: When replacing item# 4 on page 1, please note if the surface indicated by the arrow is flat or has a beveled edge and order accordingly.

(A) Flat Surface - 530-019181 Gasket

(B) Beveled surface - 530-054624 O-ring

**A**



**B**

