

**Kit - Carburetor Assy # 530071633 - C1U-W13A**



**Note: No Repair kits are available for this carburetor, please order the complete assembly part number 530-071633 ( C1U-W13A )**

---

Ref #	Part Number	Qty	Description
530071633	530071633		Kit - Carburetor Assy - C1U-W13A

---

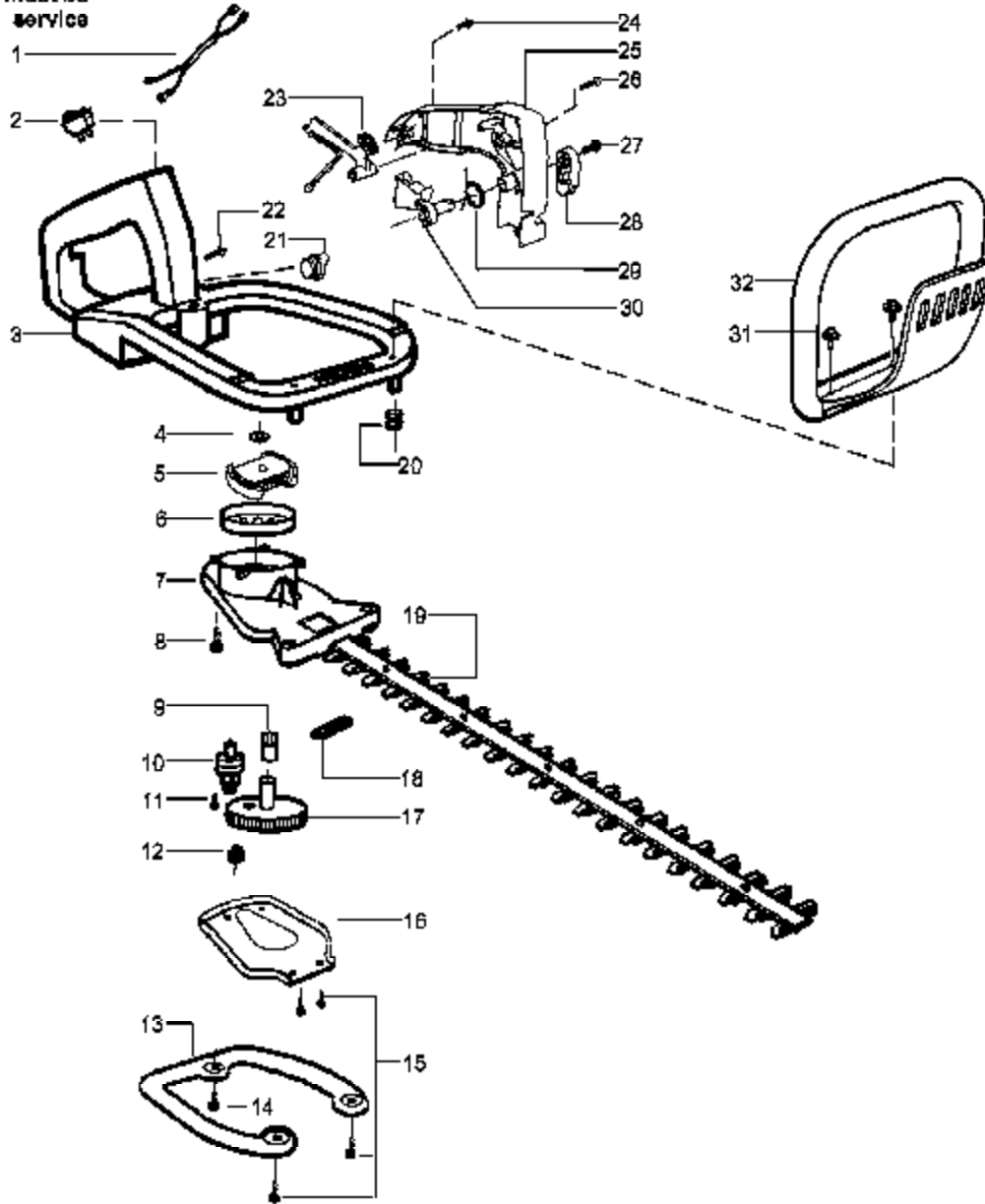
GHT220 Gas Hedge Trimmer  
Carburetor Assembly (C1U-V)



**WARNING**

All repairs, adjustments and maintenance not described in the Operator's Manual must be performed by qualified service personnel.

**TYPE 4**

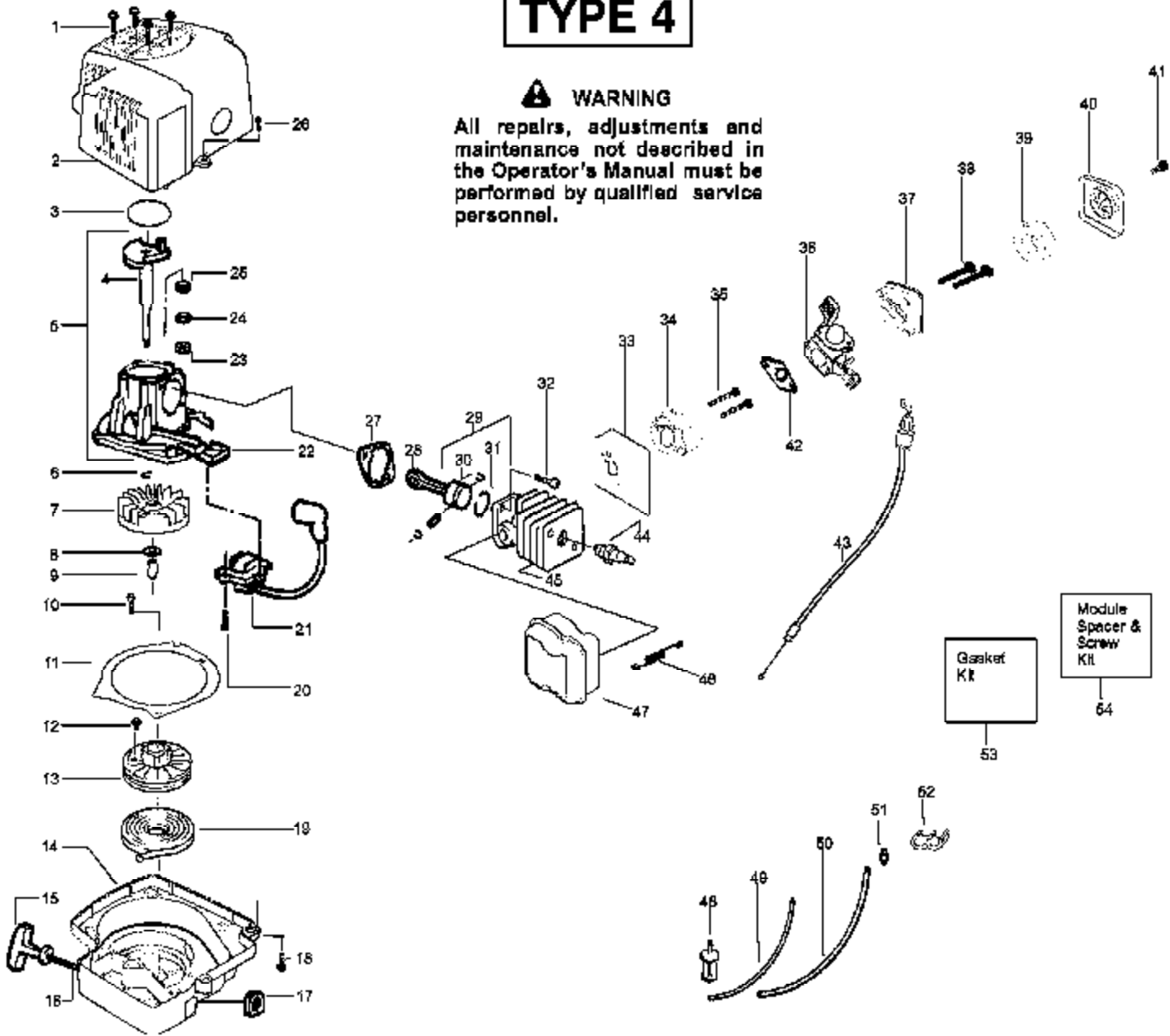


Ref #	Part Number	Qty	Description
1	530054133		Assy-Leadwire/Switch (Incl.#2)
2	530029954		Switch-Ignition
3	530071656		Assy-Rear Handle & Tank
4	530015828		Washer-Clutch
5	530014396		Kit-Clutch Assy.
6	530056069		Assy-Drum
7	530096102		Assy-Gear Box (Incl.# 9-11)
8	530015886		Screw
9	530016013		Bearing-Gear
10	530096009		Assy-Pinion
11	530015805		Screw
12	530032121		Bushing-Blade
13	530036046		Plate-Isolator
14	530015849		Blade-Assembly Ty
15	530015934		Screw
16	530029916		Cover-Gear Box Plate
17	530071690		Kit-Drive Gear Ass'y. (Incl. #12)
18	530029948		Seal-Blade (Felt)
19	530403228		Assy-Blade Blade 19"
19	530403229		Assy-Blade Blade 22"
20	530029946		Spring
21	530014871		Assy-Fuel Cap
22	530015770		Screw
23	530053900		Lockout-Throttle
24	530015934		Screw
25	530038305		Cover-Handle
26	530015940		Screw
27	530015775		Screw
28	530029958		Lever-Trigger
29	530036123		Spring-Trigger
30	530053884		Trigger
31	530015955		Screw
32	530094992		Handle-Front

# TYPE 4

## ⚠ WARNING

All repairs, adjustments and maintenance not described in the Operator's Manual must be performed by qualified service personnel.



Ref #	Part Number	Qty	Description
1	530016386		Screw
2	530056450		Assy-Shroud
3	530071486		O-Ring-Shrd (kit)
4	530028802		Assy-Crankshaft
5	530071729		Assy-C/case-C/shaft (Incl. #4,6 & 23-25)
6	530015941		Ring-Retainer-C'shaft
7	530069886		Assy-Flywheel
8	530015828		Washer-Flat
9	530055729		Spacer-Flywheel
10	530015496		Screw
11	530055681		Plate-Baffle
12	530015882		Screw
13	530069353		GHT220 Gas Head Rebuild Kit (Incl.# 12)
14	530055762		Power Unit Type 4 Kit-Starter Pulley
15	530027569		Assy-Fan Housing
16	530069232		Handle-Starter
17	530019182		Kit-Rope
18	530016386		Grommet-Ignition Module
19	530042085		Screw-(f/hsg to shrd)
20	530015954		Spring-Starter
21	530039163		Screw
21	530054137		Ignition Module GHT 180/220 (USA only)
22	530071627		Ignition Module GHT 220 (Canada only)
23	530055728		Assy-Crankcase
24	530071615		Bearing-Outer
25	530032125		Kit-Crankcase Seal
26	530015934		Bearing-Inner
27	530071486		Screw
28	530069945		Gasket-Cylinder (kit)
29	530071357		Assy-Connecting Rod
30	530015162		Kit-Piston (Incl. 30 & 31)
31	530055120		Retainer-Piston Pin
32	530015953		Ring-Piston
33	530071486		Screw
34	530056403		Gasket-Carb. Adapt.(kit)
35	530016014		Adapter-Carburetor
36	530071633		Screw
37	530055680		Kit-Carburetor Ass'y. (C1U-W13A)
38	530016353		Air Box
39	530047932		Screw
40	530055679		Air Filter Foam
41	530015957		Air Filter Cover
42	530071486		Screw
43	530055547		Gasket-Carburetor (kit)
44	952030249		Assy-Throttle Cable
45	530071359		Spark Plug(RCJ-6Y)
46	530042088		Kit-Cylinder
47	530071574		Spring-Muffler
48	530095992		Kit-Spark Muffler
49	530069247		Assy-Pick-up
50	530069216		Kit-Fuel Line(small)
51	530023877		Kit-Fuel Line(large)
52	530016103		Fitting-Fuel Line
53	530071486		Clip-Retainer
54	530071731		Kit-Gasket (Incl. #3, 27, 33 & 42)
	530163353		Kit-Module Spacer & Screws
			Operator Manual USA Only Not Shown

---

Ref #	Part Number	Qty	Description
	530163751		Operator Manual Canada Only Not Shown
	530047459		Decal-Warning Not Shown

---

GHT220 Gas Hedge Trimmer  
Power Unit Type 4

**★★★★★ Service Note: ★★★★★**

Some units were mistakenly built and shipped with the wrong type numbers. If your unit shows a type 2( 2 at the end of the serial number), refer to the following:

**ALL UNITS built with a serial number beginning with 01365N and earlier are type 2's.**  
**ALL UNITS built with a serial number beginning with 02001D and greater are type 3's**

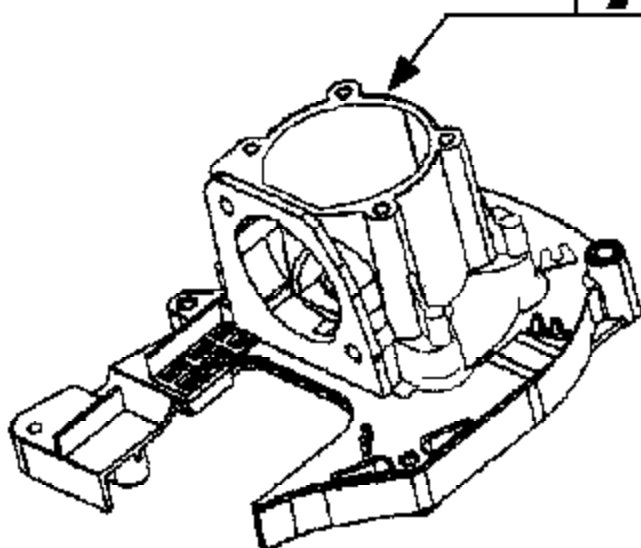
\*\*\*\*\* **SERVICE REFERENCE** \*\*\*\*\*

Note: When replacing item# 4 on page 1, please note if the surface indicated by the arrow is flat or has a beveled edge and order accordingly.

(A) Flat Surface - 530-019181 Gasket

(B) Beveled surface - 530-054624 O-ring

**A**



**B**

