

Kit - Carburetor Assy # 530071633 - C1U-W13A



Note: No Repair kits are available for this carburetor, please order the complete assembly part number 530-071633 (C1U-W13A)

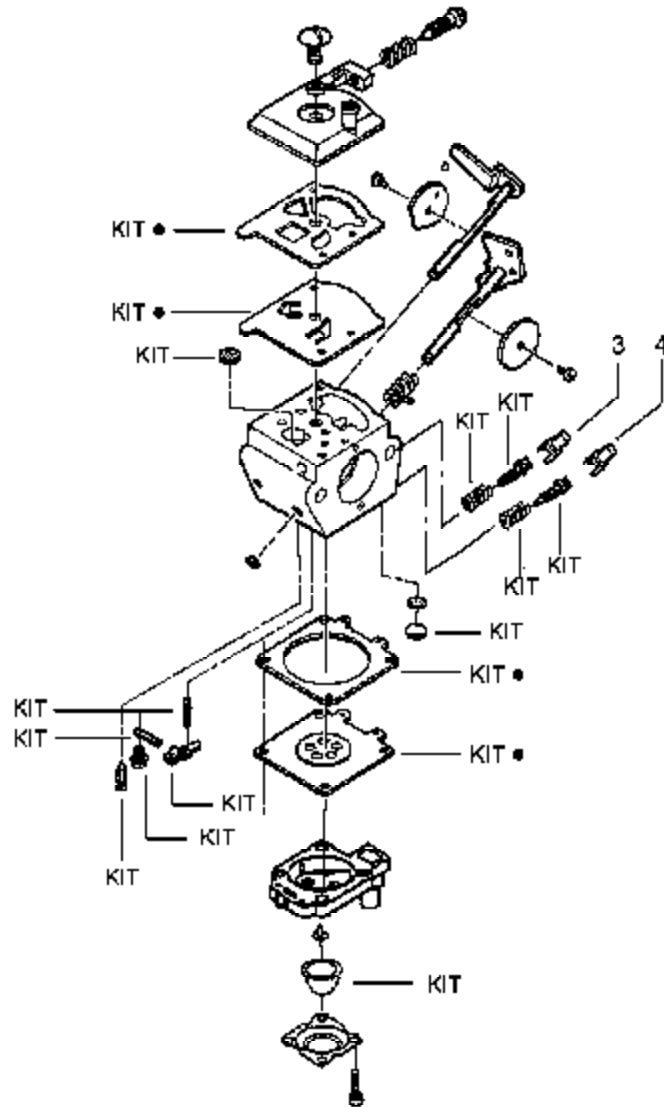
Ref #	Part Number	Qty	Description
530071633	530071633		Kit - Carburetor Assy - C1U-W13A

GHT180 Gas Helicopter
Carburetor Assembly (C1U-W13A)

TYPE 1,2 ONLY

Please refer to the service note at the end of the IPL before ordering parts.

**Type 1,2 -Carburetor Number
#530069682 - C1U-W4 (Zama)**



Carb.
Repair
Kit

Gasket/
Dia.
Kit

1

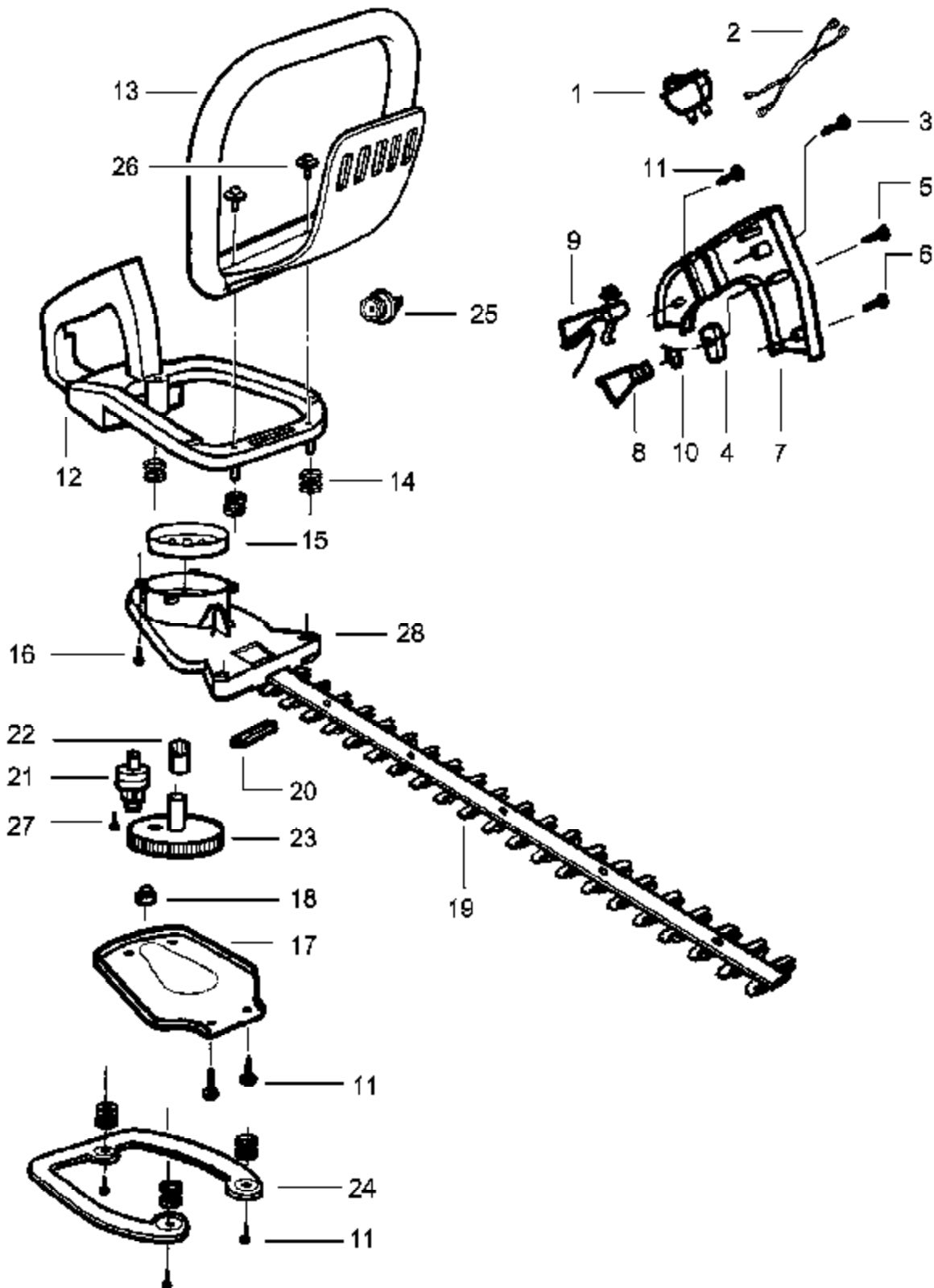
2

Ref #	Part Number	Qty	Description
1	530069969		Kit-Carb. Repair (KIT = Indicates Contents)
2	530069866		Kit-Gasket/Diaphragm (DOT = Indicates Contents)
3	530038478		Limiter Cap (Low) tan
4	530038479		Limiter Cap (High) brown
530069682	530069682		Carburetor Assembly (Zama C1U-W4)

GHT180 Gas Helicopter
Page 4 of 4
Carburetor Assembly (Zama C1U-W4)

TYPE 1,2 ONLY

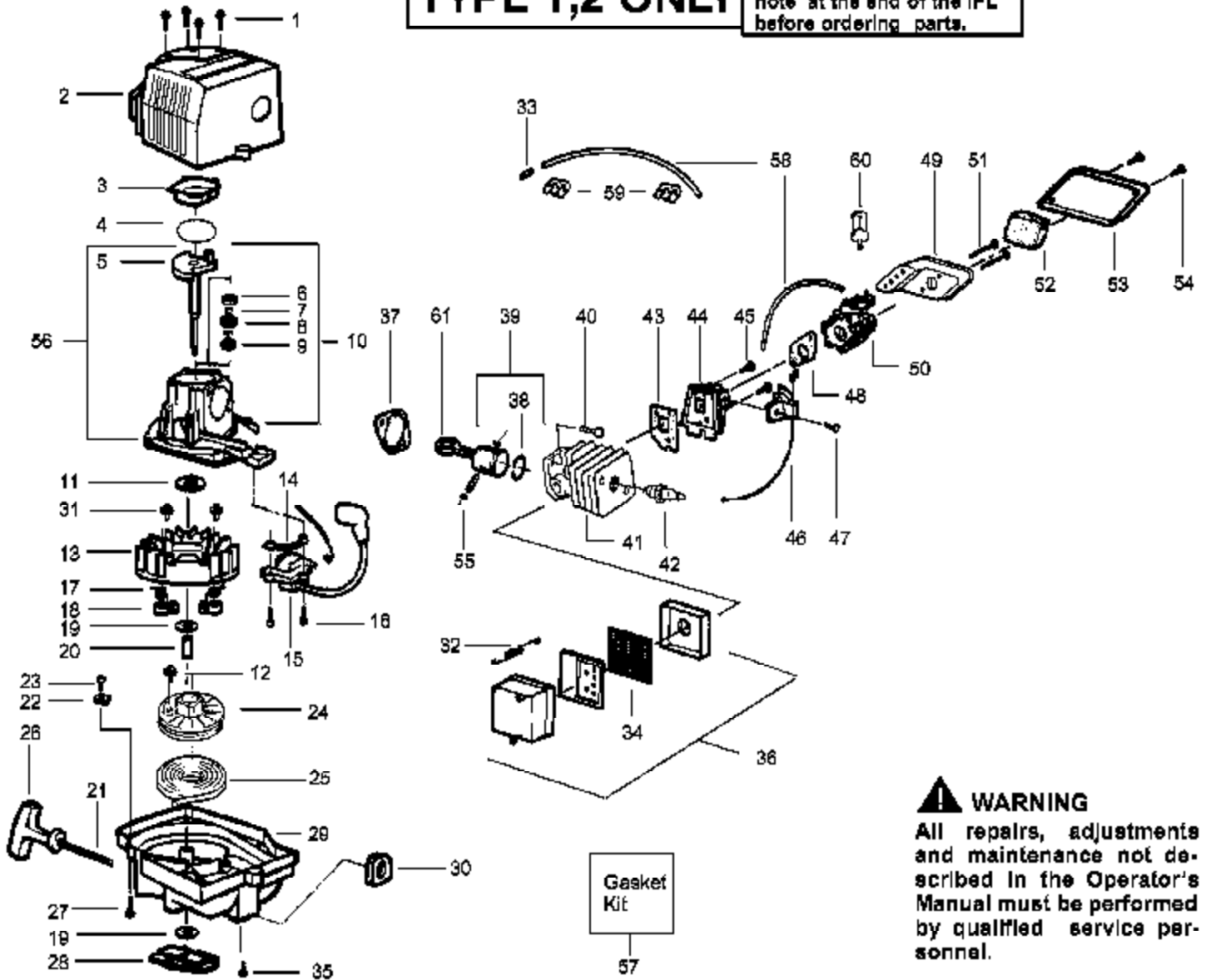
Please refer to the service note at the end of the IPL before ordering parts.



Ref #	Part Number	Qty	Description
1	530029954		Switch-Ignition
2	530054133		Assy-Switch Wire
3	530015775		Screw
4	530029958		Lever-Trigger
5	530015940		Screw
6	530015770		Screw
7	530038305		Cover-Handle
8	530053884		Trigger-Throttle
9	530053900		Lockout-Throttle
10	530036123		Spring-Trigger
11	530015934		Screw
12	530047879		Assy-Rear Handle/Tank
13	530094992	GHT180 Gas Hedge Cutter	Handle-Front
14	530029946	Handle & Blade Assembly	Spring
15	530048113		Assy-Clutch & Drum
16	530015814		Screw
17	530029916		Plate-Gear Box
18	530032121		Bushing-Blade
19	530403228		Assy-Blade 19"
19	530403229		Assy-Blade 22"
20	530029948		Seal-Blade
21	530036228		Assy-Pinion
22	530016013		Bearing-Gear
23	530069355		Assy-Drive Gear
24	530036046		Plate-Isolator
25	530036965		Assy-Fuel Cap
26	530015955		Screw
27	530015805		Screw
28	530014399		Assy-Gear Box (Incl. 21, 22 & 27)

TYPE 1,2 ONLY

Please refer to the service note at the end of the IPL before ordering parts.



Ref #	Part Number	Qty	Description
1	530015810		Screw
2	530036345		Shroud
3	530029929		Cover-Crankcase
4			O-ring/Gasket/C'case See "Service Reference"
5	530014307		Assy-Crankshaft
6	530032125		Bearing-Inner
7	530015945		Retainer-C'case
8	530019179		Seal-Crankcase
9	530032124		Bearing-Outer
10	530012414		Assy-Crankcase (Incl. 6-9)
11	530015941		Ring-Ret. (C'shaft)
12	530016080		Screw
13	530039149	GHT180 Gas Helium Transfer	Assy-Flywheel
14	530036145	Power Unit Type 1 & 2	Spacer-Ignit. Mod.
15	530039163		Module-Ignition
16	530015954		Screw
17	530016191		Spring-Starter Dog
18	530049284		Starter Dog
19	530015828		Washer-Flat
20	530015930		Spacer-Flywheel
21	530069232		Kit-Rope
22	530015963		Retainer
23	530015496		Screw
24	530069353		Kit-Starter Pulley
25	530042085		Spring-Starter
26	530027569		Handle-Starter
27	530015886		Screw
28	530014396		Kit-Clutch Ass'y.
29	530014361		Assy-Fan Housing
30	530019182		Grommet-Ignit. Module
31	530015882		Screw
32	530016197		Spring-Muffler
33	530023877		Fitting-Fuel Line
34	530036180		Screen-Muffler
35	530015934		Screw
36	530069659		Kit-Muffler
37	530019223		Gasket-Cylinder
38	530036404		Ring-Piston
39	530069621		Kit-Piston (Incl.38,55)
40	530015953		Screw
41	530069619		Kit-Cylinder
42	952030201		Spark Plug (RCJ-8Y)
43	530019233		Gasket-Cylinder/Carb. Adaptor
44	530049024		Carb. Adaptor
45	530016014		Screw
46	530014384		Assy-Throttle Cable
47	530015775		Screw
48	530019194		Gasket-Carburetor
49	530036192		Air Box
50	530069682		Kit-Carb. Ass'y. (Incls. Limiter Caps)
51	530015849		Screw
52	530029934		Air Filter- Foam
53	530036193		Air Filter -Cover
54	530015635		Screw
55	530015162		Piston Pin Retainer
56	530014973		C'case & C'shaft Assy. (Incl. 5 & 10)

Ref #	Part Number	Qty	Description
57	530069622		Kit-Gasket (Incl. 4, 37, 43 & 48)
58	530069599		Kit-Fuel Line (Incl. Fuel and Vent lines)
59	530016103		Retainer Clip
60	530095647		Assy-Fuel Pick-up
61	530069615		Kit-Connecting Rod
	530087628		Operator's Manual Not Shown
	530047459		Decal-Warning Not Shown

GHT180 Gas Heated Transfer
Page 1 of 1
Power Unit Type 1 & 2

★★★★★ Service Note: ★★★★★

Some units were mistakenly built and shipped with the wrong type numbers. If your unit shows a type 2(2 at the end of the serial number), refer to the following:

ALL UNITS built with a serial number beginning with 01365N and earlier are type 2's.
ALL UNITS built with a serial number beginning with 02001D and greater are type 3's

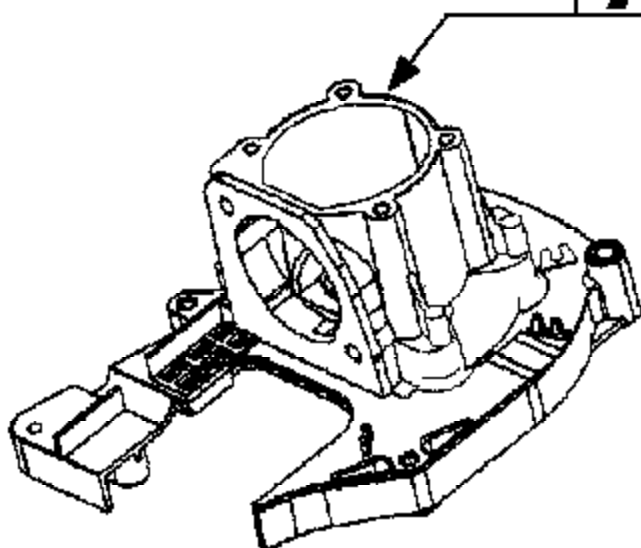
***** **SERVICE REFERENCE** *****

Note: When replacing item# 4 on page 1, please note if the surface indicated by the arrow is flat or has a beveled edge and order accordingly.

(A) Flat Surface - 530-019181 Gasket

(B) Beveled surface - 530-054624 O-ring

A



B

