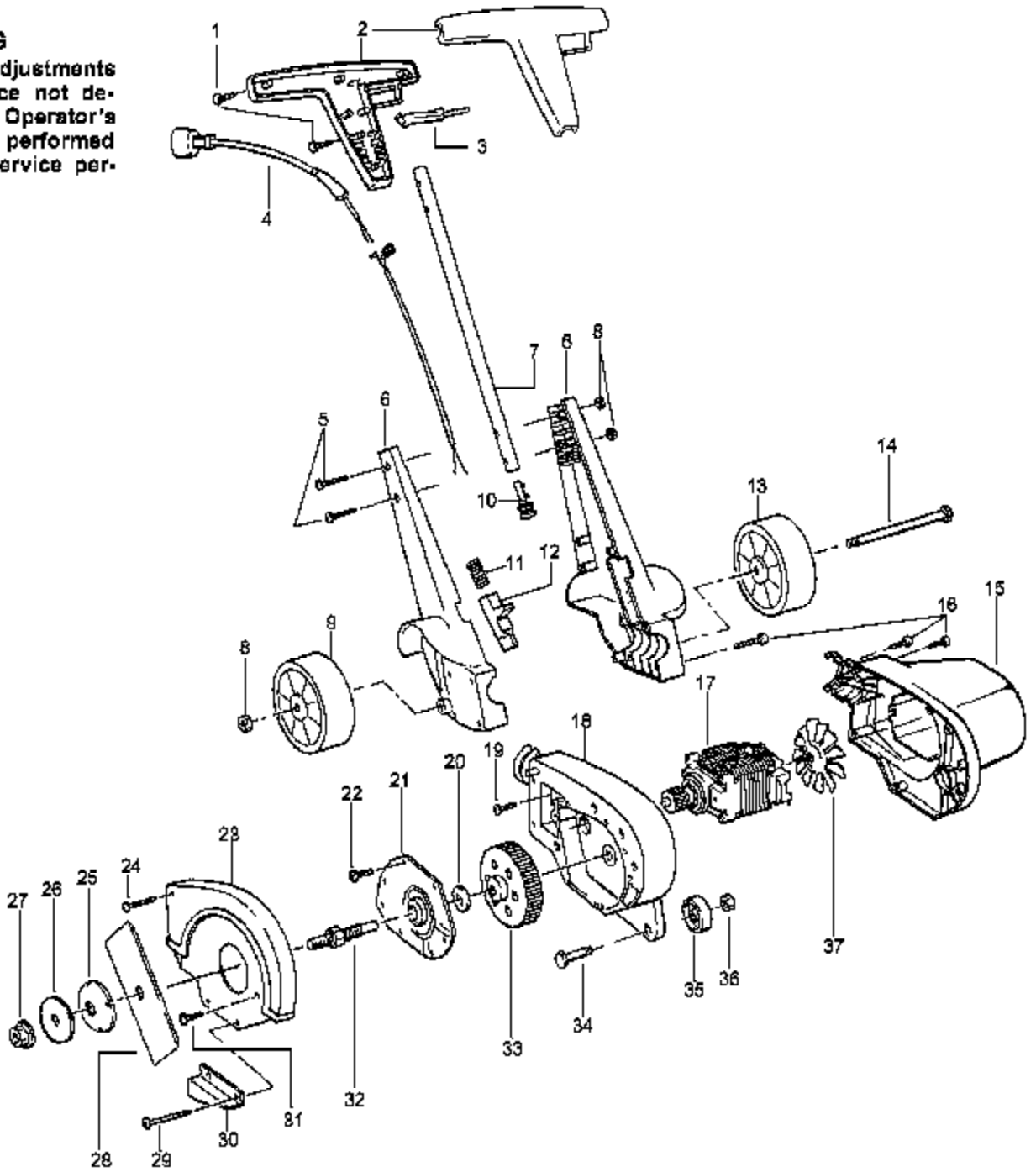


**⚠ WARNING**

All repairs, adjustments and maintenance not described in the Operator's Manual must be performed by qualified service personnel.



Ref #	Part Number	Qty	Description
1	530015495		Screw
2	530402925		Handle Set
3	530402860		Trigger Switch Lever
4	530403135		Harness/Power Cord Ass'y.
5	530402888		Screw
6	530402924		Rear Housing
7	530402868		Handle Tube
8	530403094		Nut
9	530095088		Rear Wheel
10	530402885		Protector Harness
11	530402877		Spring Slide
12	530402871		Slide Release
13	530095088	PE225 Electric Edge	Rear Wheel
14	530402876	Edger Assembly	Assy-Rear Axle
15	530402857		Motor Housing
16	530015495		Screw
17	530402866		Assy-Motor
18	530403878		Deck Frame Ass'y.
19	530016332		Screw
20	530016247		Washer
21	530402912		Bearing Holder Ass'y.
22	530016332		Screw
23	530402859		Blade Shield
24	530016243		Screw
25	530402971		Spring-Clutch Type 1
25	530403499		Spring-Clutch Type 2
26	530016276		Washer-Cup Type 1
26	530403500		Washer-Cup Type 2
27	530402954		Nut-Blade Type 1
27	530016293		Nut-Blade Type 2
28	952701699		Blade
29	530016227		Screw
30	530402865		Edge Guide
31	530016223		Screw
32	530402862		Shaft Type 1
32	530403498		Shaft Type 2
33	530402892		Drive Gear
34	530402907		Bolt
35	530402970		Front Roller
36	530016245		Nut
37	530403064		Fan Motor
	530163866		Operator Manual Not Shown
	530402961		Decal-Blade Warning Not Shown
	530402883		Decal-Warning Nameplate Type 1 Not Shown
	530054370		Decal-Warning Nameplate Type 2 Not Shown