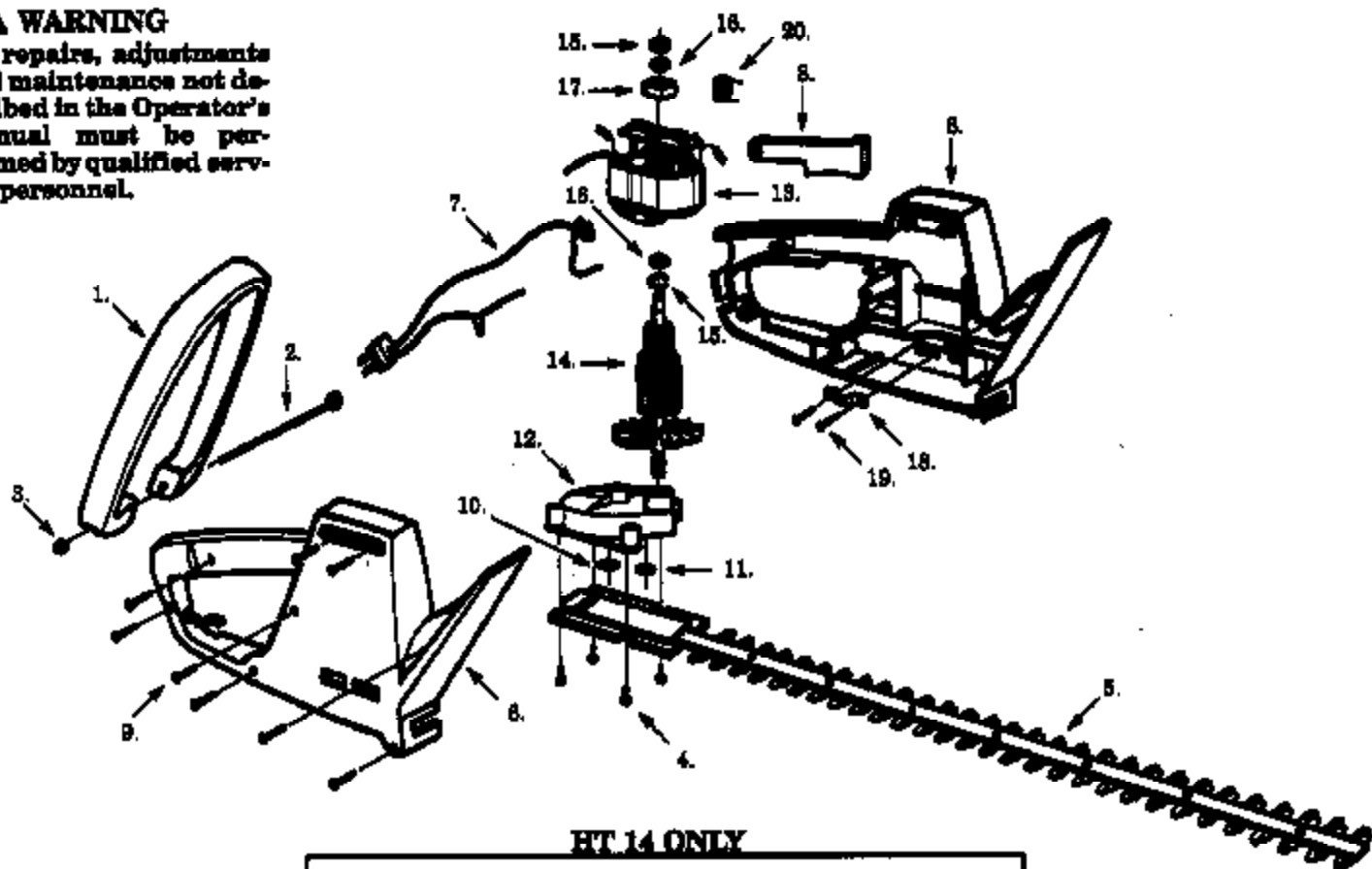
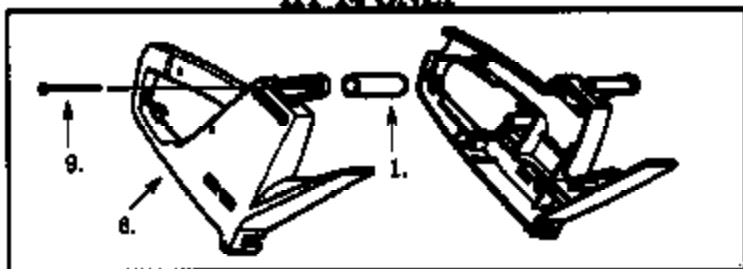


▲ WARNING

All repairs, adjustments and maintenance not described in the Operator's Manual must be performed by qualified service personnel.



HT 14 ONLY



Ref #	Part Number	Qty	Description
1	534101430		MODEL HT14
1	530401058		MODELS HT17, HT19, HT22
2	534101450		Screw-Handle
3	534235800		Locknut-Handle
4	534101640		Screw-Blade
5	530036312		Blade Ass'y. - 14"
5	530036313		Blade Ass'y. - 17"
5	530036316		Blade Ass'y. - 19"
5	530036317		Blade Ass'y. - 22"
6	534101210		MODEL HT14
6			MODELS HT17, HT19, HT22- See Service Ref. 2
7	530402073		Switch/Plug Ass'y.
8	534101380	HT17 Electric Hedge Cutter per Pringle Switch	
9	534184700	ASSEMBLY	Screw-Housing
11	534812100		Drive Washer
13	534100680		Field Ass'y.
14	530036407		Armature Ass'y.
15	530036314		Retaining Ring
16	534228804		Washer
17	534101130		Bearing
18	534101120		Clamp
19	530015476		Screw
20	534036198		Spring-Brush
	530083705		Operator Manual Not Shown.
			Warning Decal English Not Shown.
	530400908		HT14 Not Shown.
0	530400909		HT17 Not Shown.
0	530400910		HT19 Not Shown.
0	530400911		HT22 Not Shown.
0	530036634		French/English Not Shown.