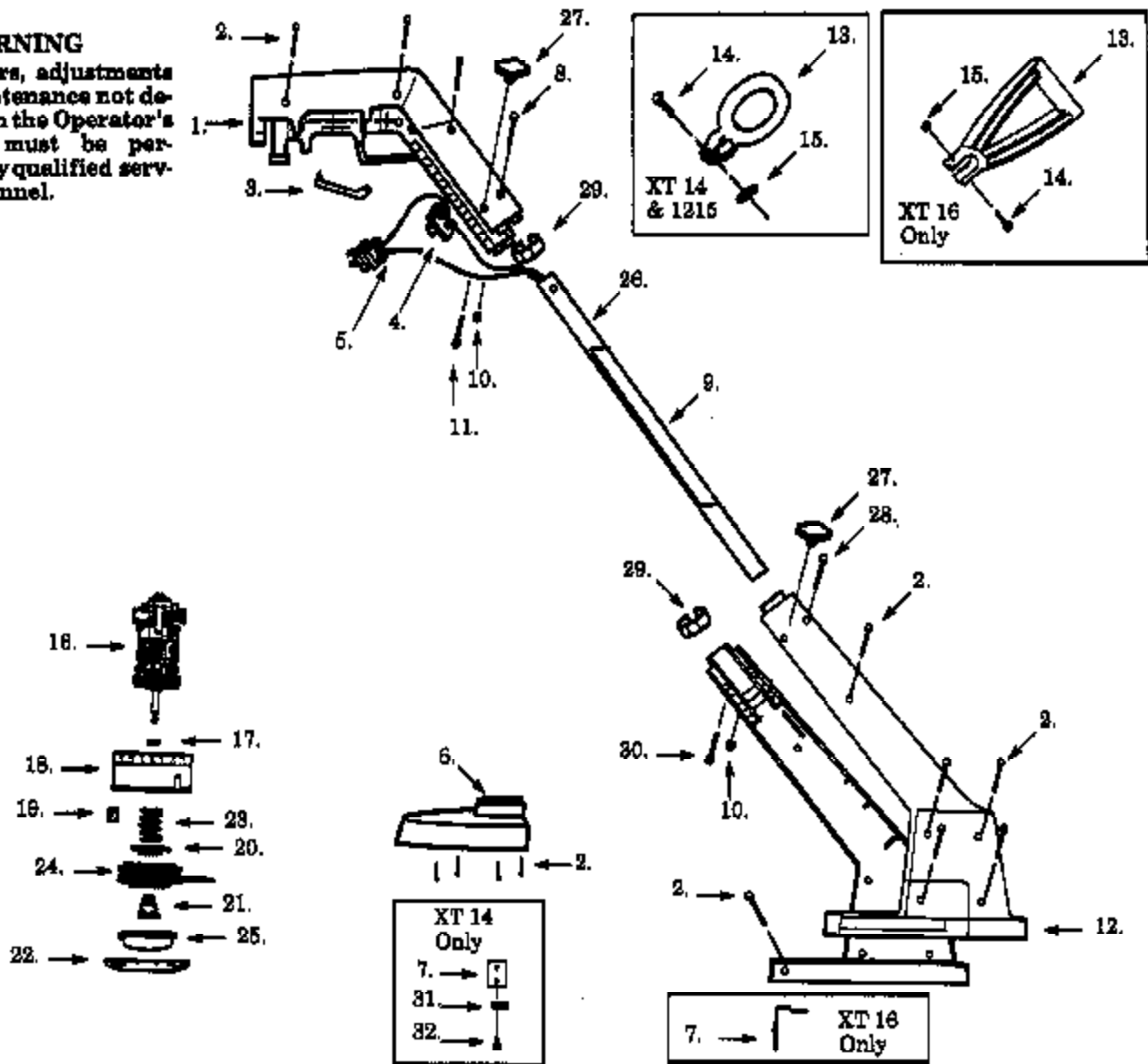


**WARNING**  
 All repairs, adjustments and maintenance not described in the Operator's Manual must be performed by qualified service personnel.



Ref #	Part Number	Qty	Description
1	530401025		Switch Handle Set, XT14,XT16
1	530401547		Switch Handle Set, 1215
2	530352036		Screw
3	530347654		Trigger
4	530347897		On/Off Switch
5	530401654		Wiring Harness (Incl. 4), XT14,XT16
5	530401549		Wiring Harness (Incl. 4), 1215
6	530351823		Shield, XT14
6	530027614		Shield, XT16
6	530401552		Shield, 1215 (w/Line Limiter)
7	530351801		Line Limiter, XT14
7	530350362		Line Limiter, XT16
8	530400023		Screw, Upper
9	530400274		Warning Decal
10	534790500		Nut
11	530348050		Screw, Upper Knob
12	530401022		Motor Hsg. Set, XT14
12	530402147		Motor Hsg. Set, XT16
12	530401394		Motor Hsg. Set, 1215
13	530326262		Assist Handle, XT14
13	530093900		Assist Handle, XT16
13	530326261		Assist Handle, 1215
14	530340228		Bolt
15	530400013		Wing Nut
16	530400507		Motor Ass'y., XT14
16	530400508		Motor Ass'y., XT16,1215
17	530347987		Washer
18	530401015		Hub w/ Line Saver
19	530350017		Foam Counterweight- XT16 only
20	530092068		Spring. Cap
21	530350365		Drive Gear Ass'y.
22	530092133		Cover
23	530340007		Spring
24	952701519		Spool w/Line, XT14
24	952701523		Spool w/Line, XT16,1215
25	530401183		Tap Button
26	530401014		Tube Ass'y. w/ Decal, XT14,XT16
26	530401561		Tube Ass'y. w/ Decal, 1215
27	530347898		Knob
28	530400024		Screw, Lower
29	530401555		Snap Button
30	530348051		Screw, Lower Knob
31	530351801		Blade Cover XT14 only
32	530351800		Screw XT14 only
0	530401027		Operator Manual, XT16 Not Shown.
0	530083585		Operator Manual, XT14 Not Shown.
0	530083569		Operator Manual, 1215 Not Shown.
0			Operator Manual, Carton Contents Bag Not Shown.
0	530400341		Operator Manual, XT14,XT16 Not Shown.
0	530401556		Operator Manual, 1215 Not Shown.

XT16 Electric Trim Page 2 of 2  
 TRIMMER ASSEMBLY