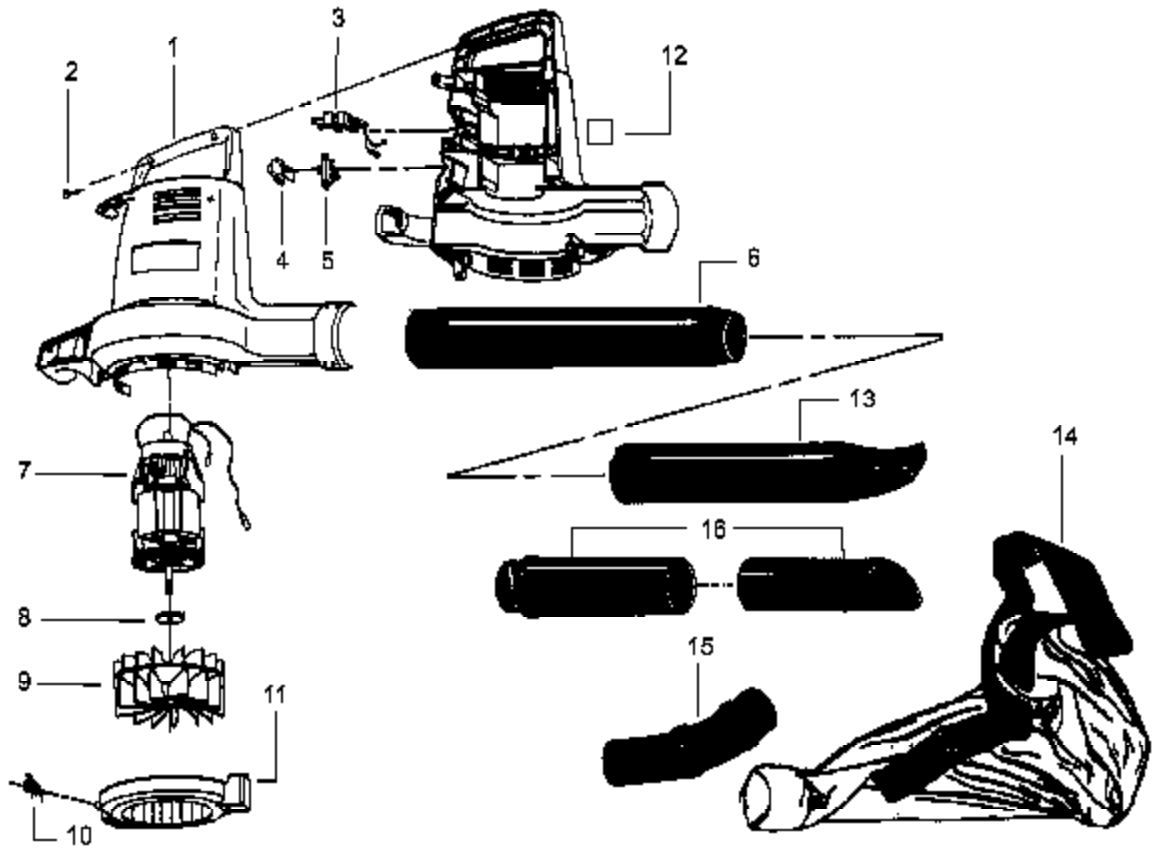


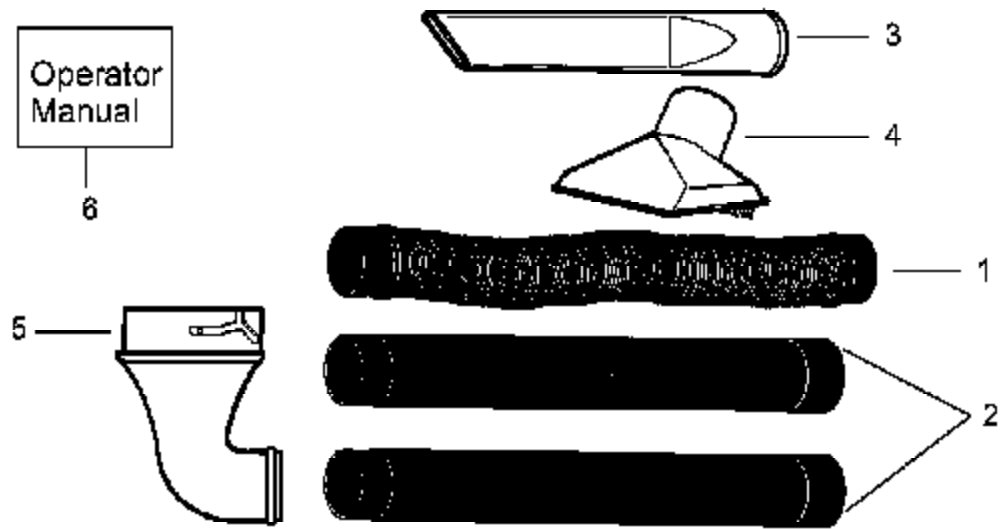
▲ WARNING

All repairs, adjustments and maintenance not described in the Operator's Manual must be performed by qualified service personnel.



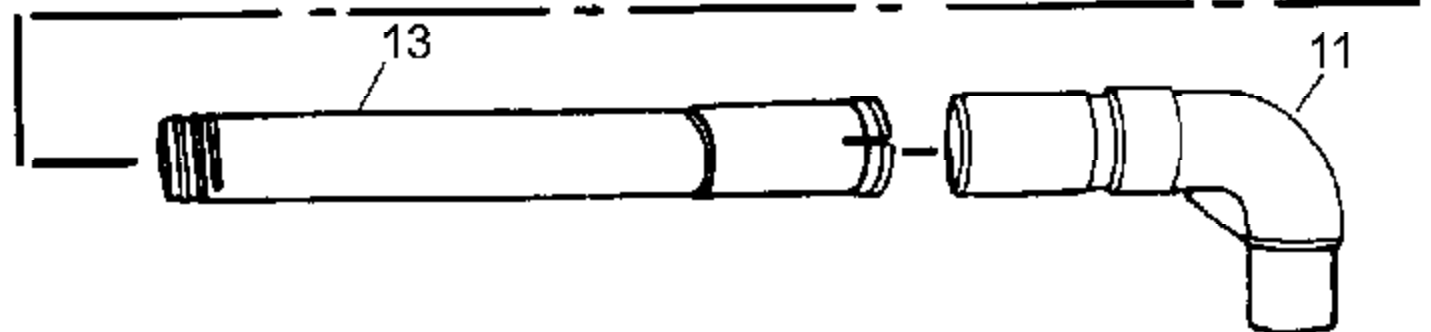
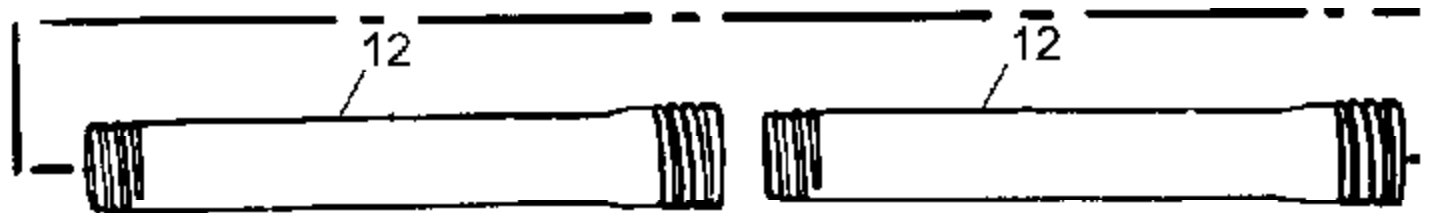
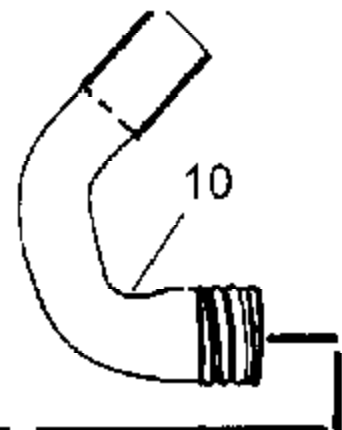
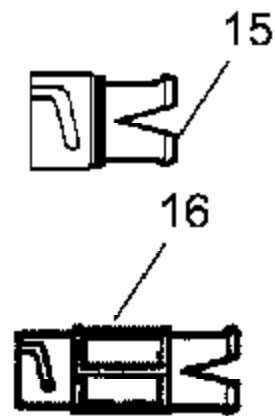
Ref #	Part Number	Qty	Description
1	530351400		Housing Set
2	530016317		Screw
3	530401846		Wire Harness (Incls. Switch)
4	530401008		Switch Cover
5	530351409		Switch
6	530036434		Blower Tube
7	530351439		Motor Ass'y.
8	530400897		Washer
9	530037183		Impeller
10	530351417		Spring
11	530402140		Inlet Cover
12	530400089		Pad
13	530094662	2565 Electric Blower	Nozzle
14	530095114	Blower Assembly	Vacuum Bag Kit
15	530095118		Elbow
16	530069270		Vacuum Tube Kit
	530087937		Operator Manual Not Shown
	530036444		Warning Decal Not Shown

Flex Vac Kit #952701627 - Model 2565 Only (Optional for vac equipped units)



Ref #	Part Number	Qty	Description
1	530094927		Flex Hose
2	530094928		Flex Tube
3	530094930		Crevice Tool
4	530094929		Floor Brush
5	530094923		Flex Adapter
6	530067824		Operator Manual
952701627	952701627		Flex Vac Kit (Optional for vac equipped units)

Gutter Attachment Kit #952701696



Ref #	Part Number	Qty	Description
10	530094426		Nozzle
11	530094518		Elbow
12	530094425		Extension Tube
13	530094424		Pivot Tube
14	952701645		Goggles
15	530351416		Adapter For Electrics Only
16	530094850		Adapter For Gas Units Only
952701696	952701696		Gutter Attachment Kit