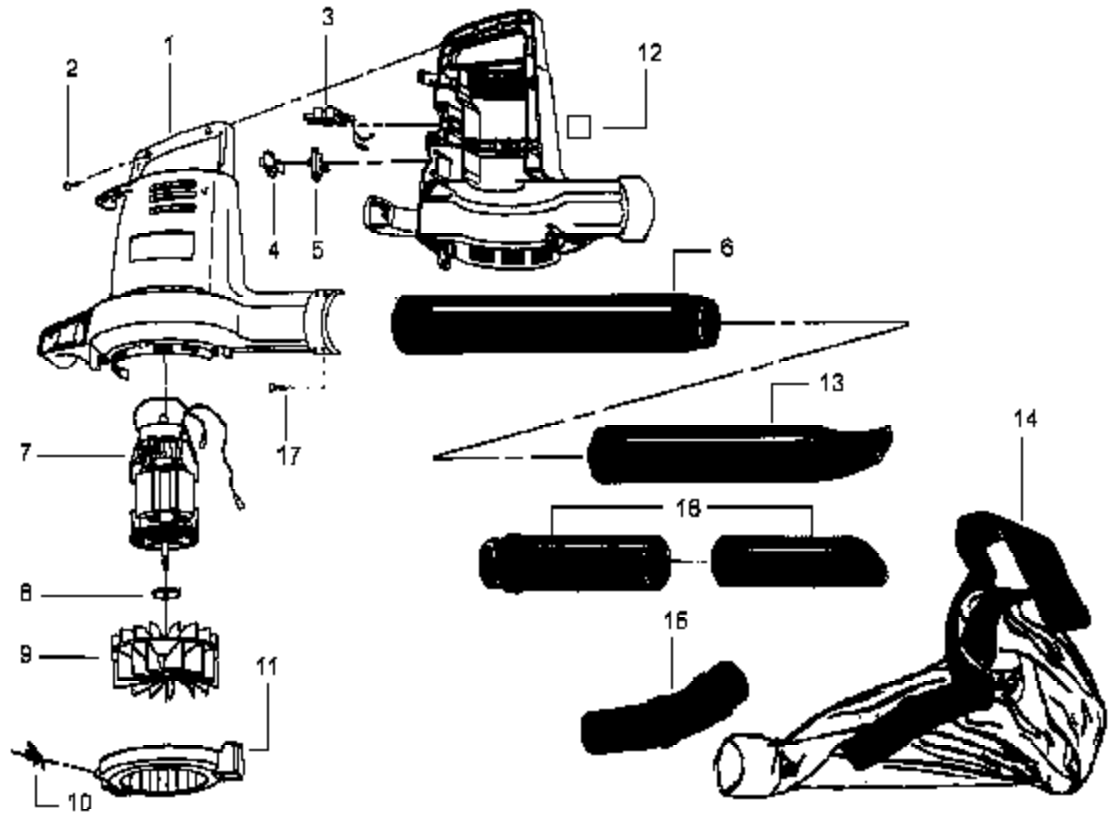


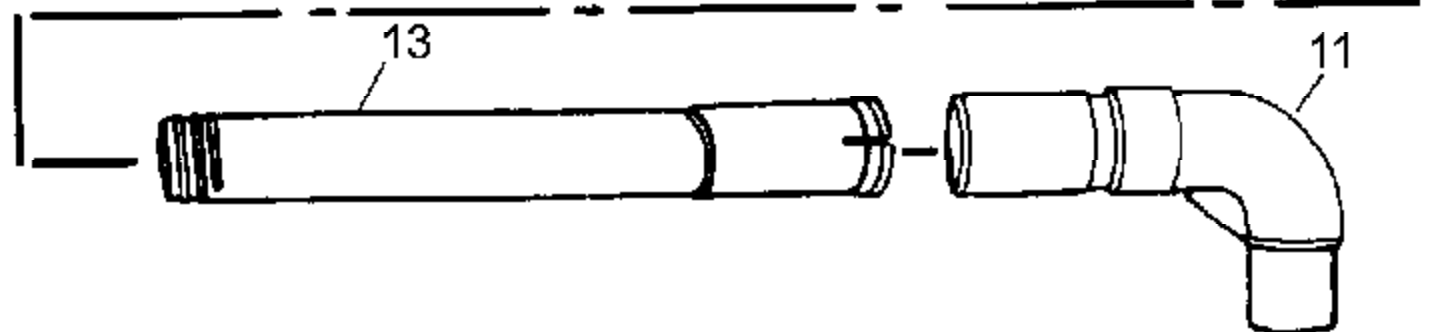
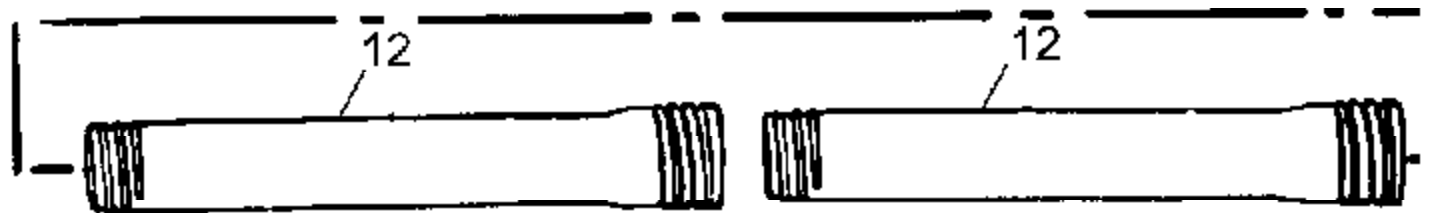
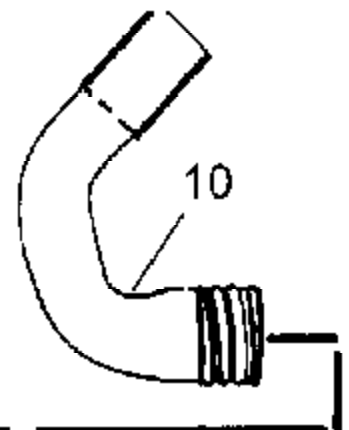
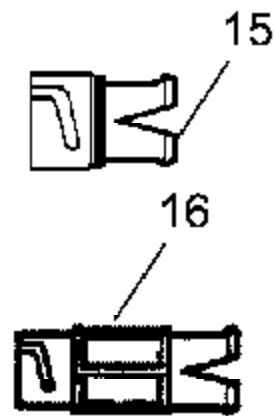
**⚠ WARNING**

All repairs, adjustments and maintenance not described in the Operator's Manual must be performed by qualified service personnel.



Ref #	Part Number	Qty	Description
1	530351400		Housing Set Type 1
1	530402169		Housing Set Type 2
1	530402773		Housing Set Type 3
2	530016317		Screw
3	530401846		Wire Harness Type 1 & 2 (Incls. Switch )
3	530403778		Wire Harness Type 3 (Incls. Switch )
4	530401008		Switch Cover
5	530351409		Switch Type 1 & 2
5	530401094		Switch Type 3
6	530036434		Blower Tube Type 1
6	534352705		Blower Tube Type 2 & 3
7	530351439		Motor Ass'y. Type 1 & 2
7	530403312		Motor Ass'y. Type 3
8	530400897	2560 Electric Blower Blower Assembly	Washer
9	530037183		Impeller Type 1 & 2
9	530401097		Impeller Type 3
10	530351417		Spring
11	530402140		Inlet Cover
12	530400089		Pad (Type 1 & 2)
13	530094662		Nozzle Type 1
13	530036769		Nozzle Type 2 & 3
14	530095114		Vacuum Bag Kit Type 1
14	530402533		Vacuum Bag Kit Type 2 & 3
15	530095118		Elbow (Type 1 only)
16	530069270		Vacuum Tube Kit Type 1
16	530402499		Vacuum Tube Kit Type 2 & 3
17	530015994		Screw
	530087937		Operator Manual Not Shown
	530402500		Warning Decal Not Shown

# Gutter Attachment Kit #952701696



Ref #	Part Number	Qty	Description
10	530094426		Nozzle
11	530094518		Elbow
12	530094425		Extension Tube
13	530094424		Pivot Tube
14	952701645		Goggles
15	530351416		Adapter For Electrics Only
16	530094850		Adapter For Gas Units Only
952701696	952701696		Gutter Attachment Kit