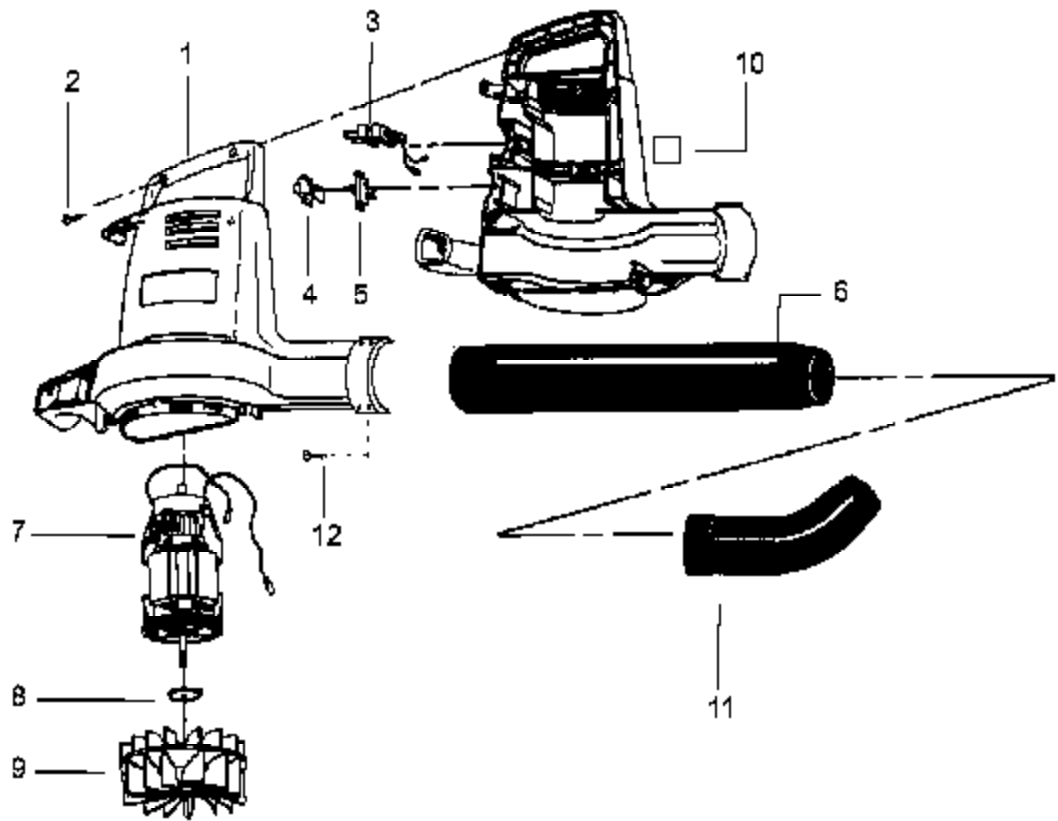


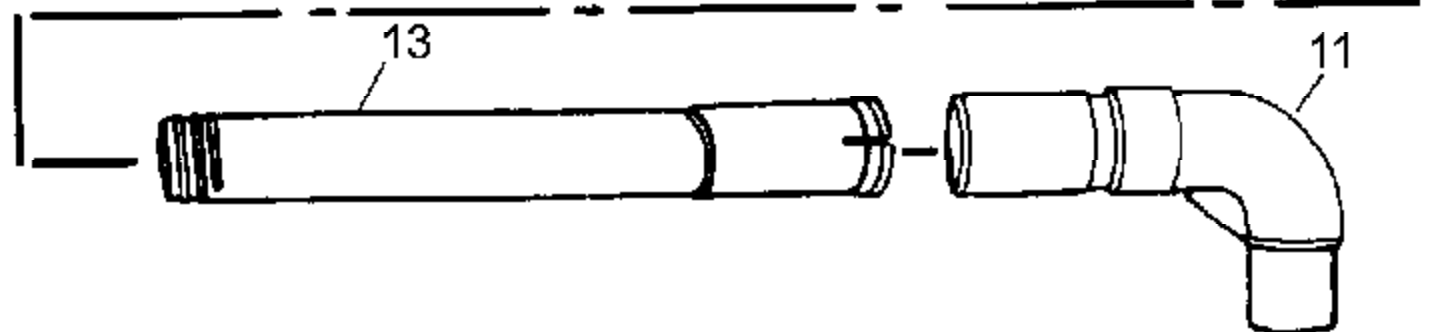
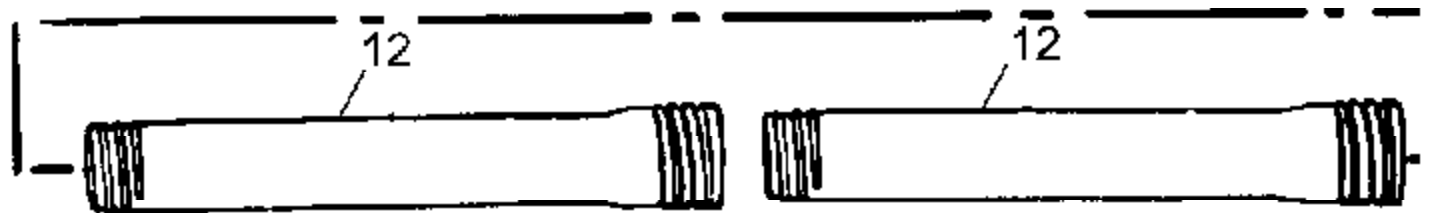
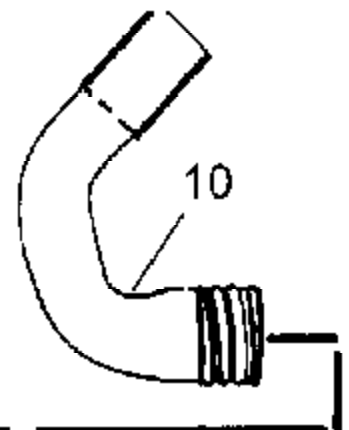
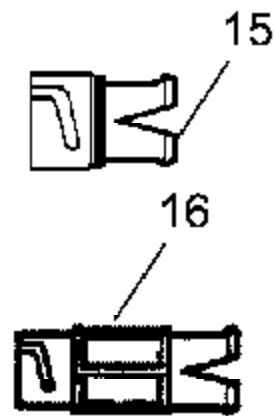
**⚠ WARNING**

All repairs, adjustments and maintenance not described in the Operator's Manual must be performed by qualified service personnel.



Ref #	Part Number	Qty	Description
1	530351450		Housing Set Type 1
1	530401898		Housing Set Type 2
1	530403264		Housing Set Type 3
2	530016317		Screw
3	530401842		Wire Harness Type 1 & 2 (Incls. Switch )
3	530403269		Wire Harness Type 3 (Incls. Switch )
4	530401008		Switch Cover
5	530351456		Switch
6	530036434		Blower Tube Type 1
6	530401884		Blower Tube Type 2 & 3
7	530351460		Motor Ass'y. Type 1 & 2
7	530403267		Motor Ass'y. Type 3
8	530400897	2510 Electric Blower	Blower Page 2 of 4
9	530351451	Blower Assembly	Impeller
10	530400089		Pad (Type 1 & 2)
11	530351455		Concentrator Nozzle Type 1
11	530403682		Concentrator Nozzle Type 2 & 3 (Incl. #6)
12	530015994		Screw (Type 2 & 3)
	530087937		Operator Manual Not Shown
	530402541		Warning Decal Not Shown

# Gutter Attachment Kit #952701696



Ref #	Part Number	Qty	Description
10	530094426		Nozzle
11	530094518		Elbow
12	530094425		Extension Tube
13	530094424		Pivot Tube
14	952701645		Goggles
15	530351416		Adapter For Electrics Only
16	530094850		Adapter For Gas Units Only
952701696	952701696		Gutter Attachment Kit