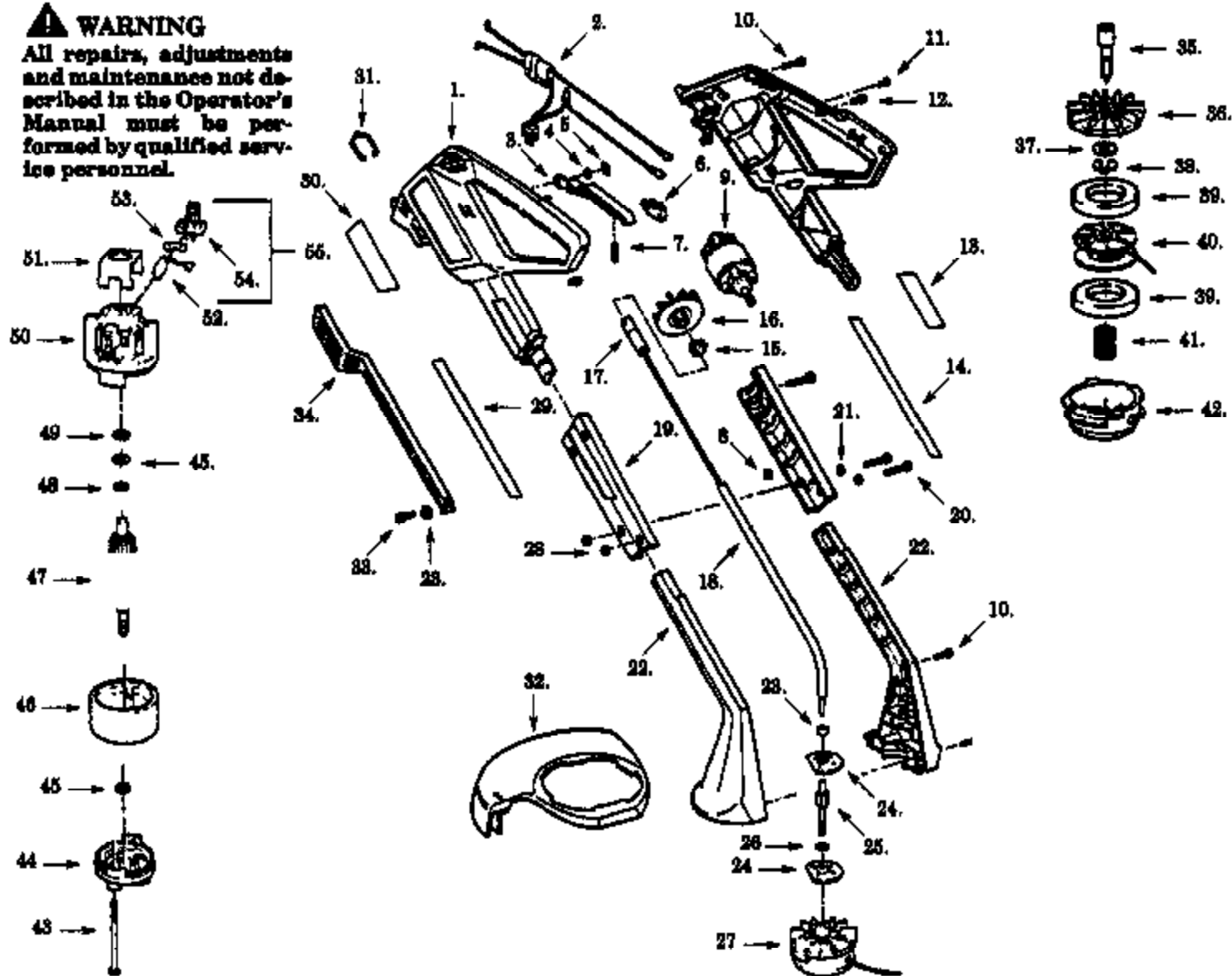


⚠ WARNING

All repairs, adjustments and maintenance not described in the Operator's Manual must be performed by qualified service personnel.



Ref #	Part Number	Qty	Description
1	534787902		Motor Hsg. Set
2	534789301		Harness
3	534788305		Trigger
4	534228802		Washer
5	534790800		Push Nut
6	534789000		Switch
7	534790700		Trigger Spring
8	534808100		Square Nut
9	534768301		Motor Ass'y.
10	534790300		Screw
11	534731402		Screw
12	534790301		Screw
13	534798700	1400 E.TRIMMER / Plus 2072	Warning Label (Not a serviceable part)
14	534789600	TRIMMER / BRUSH CUTTER /	Logo Label (L)
15	534560103		Fan Clamp
16	534526802		Fan
17	534788505		Flex Shaft Ass'y.
18	534788902		Sleeve Tubing
19	534788102		Housing Clamp
20	534799500		Screw
21	534228805		Washer
22	534788005		Spindle Housing
23	534636002		Washer
24	534790600		Bearing Holder Disk
25	534789900		Shaft Adapter
26	534228802		Washer
27	534631865		Cutting Head Ass'y.
28	534790500		Nut
29	534798500		Logo Label (R)
30	534798800		Nameplate Label (Not a serviceable part)
31	534270100		Hanger
32	534790400		Guard Ass'y.
33	534808200		Screw
34	534788405		Assist Handle
35	534589900		Drive Adapter
36	534487115		Rear Plate
37	534220146		Washer
38	534246703		Retaining Ring
39	534158602		Foam Pad
40	534486805		Spool & Line
41	534157401		Spring
42	534486465		Hub Ass'y.
43	534228703		Screw
44	534207101		Endbell Ass'y. (Drive)
45	534228800		Washer
46	534227004		Field Ass'y.
47	534767701		Armature Ass'y.
48	534246700		Retaining Ring
49	534238903		Washer
50	534227501		Endbell Ass'y. (Brush)
51	534226000		Insulator
52	534227800		Brush
53	534228000		Brush Spring
54	534227700		Brush Holder
55	534450400		Brush Kit (Incl. 52,53,54)
56	534885980		Operator Manual Not Shown.