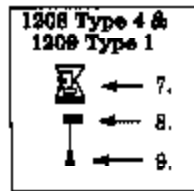
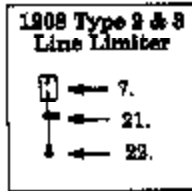
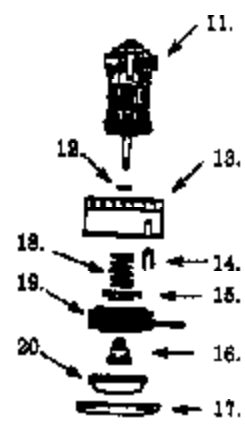
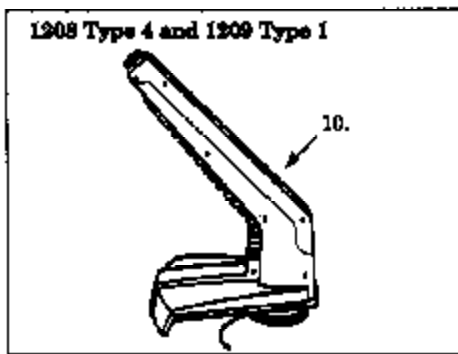
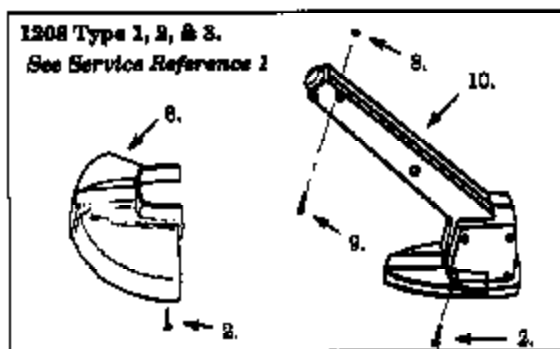


**⚠ WARNING**

All electrical repairs to this trimmer, including housing, switching, motor, etc., must be diagnosed and repaired by qualified service personnel. Failure to do so could cause the double insulation construction to become ineffective and result in serious personal injury.



Ref #	Part Number	Qty	Description
1	530347598		Handle Set
2	530352036		Screw
3	530347654		Trigger
4	530347897		On/Off Switch
5	530401656		Wiring Harness (Incl. 4)
6			Shield, 1208 Type 1 See Service Ref. 1 No longer available.
6	530351803		Shield, 1208 Type 2 & 3
7	530350362		Line Limiter, 1208 Type 1
7	530351802		Line Limiter, 1208 Type 2 & 3
7	534958001		Line Limiter, 1208 Type 4
7	534938002		Line Limiter, 1209 Type 1
8	534790500		Nut
9	530348050		Screw
10		1209 Electric Trim Page 2 of 2	
		TRIMMER ASSEMBLY	
			Motor Housing Set, 1208 Type 1-See Service Ref. 1 No longer available.
10	530351808		Motor Housing Set, 1208 Type 2
10	530400113		Motor Housing Set, 1208 Type 3
10	530036713		Motor Housing Set, 1208 T4 & 1209T1
11	530347695		Motor Assembly, 1208 Type 1 & 2
11	530400772		Motor Assembly, 1208 Type 3 & 4, 1209 Type 1
12	530001717		Washer
13	530347573		Hub
14	530340594		Line Saver
15	530340732		Spring Cap
16	530350366		Drive Gear
17	530340591		Cover
18	530340006		Spring
19	952701521		Spool (Incl. Line)
20	530340592		Tap Button
21	530351801		Blade Cover
22	530351800		Screw
23	530347653		Cord Retainer
24	530400270		Tube w/decal
25	530400274		Warning Decal
	530083568		Operator's Manual Not Shown.
	530401368		Carton Contents Bag Not Shown.