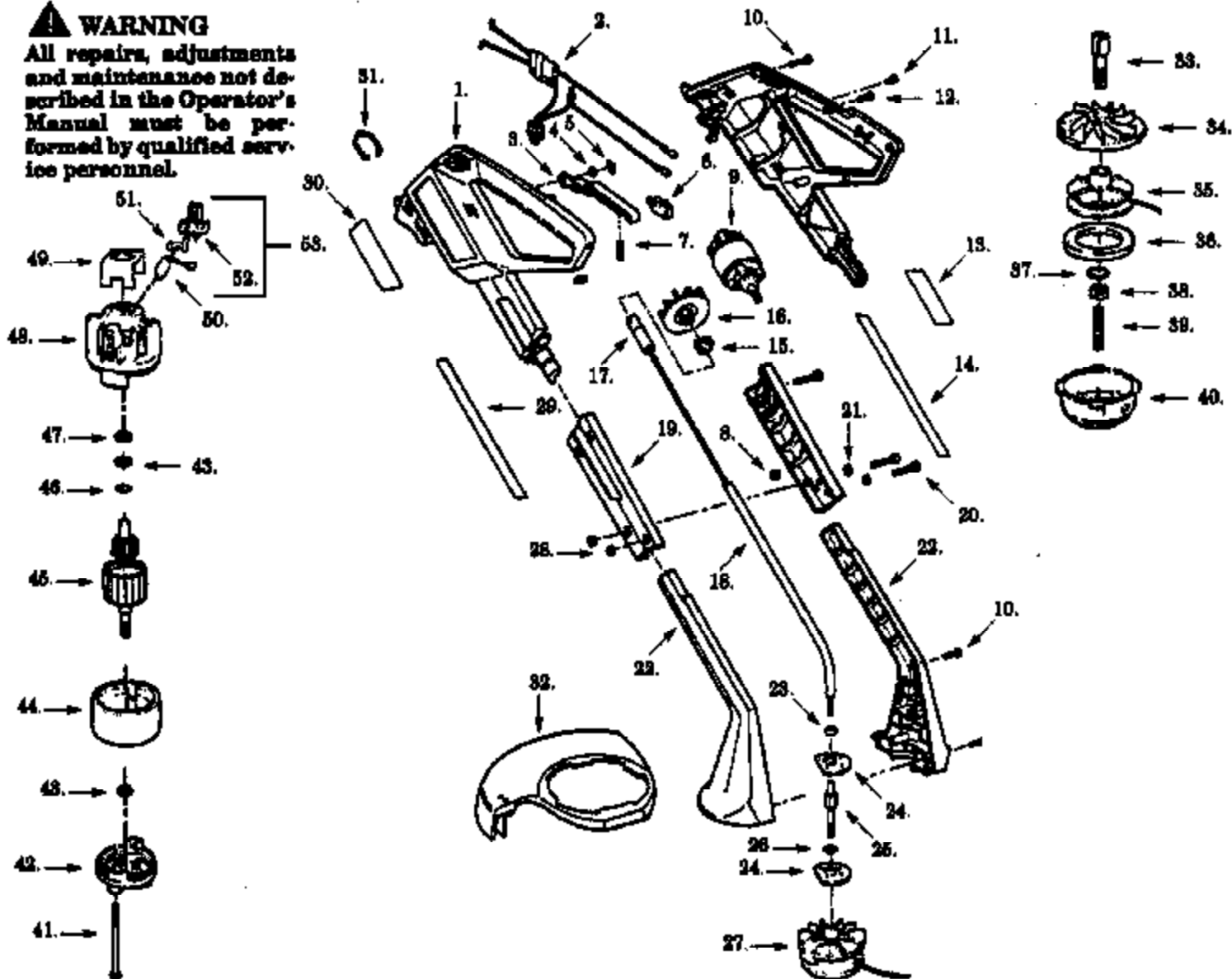


WARNING

All repairs, adjustments and maintenance not described in the Operator's Manual must be performed by qualified service personnel.



Ref #	Part Number	Qty	Description
1	534787902		Motor Hsg. Set
2	534789301		Harness
3	534788305		Trigger
4	534228802		Washer
5	534790800		Push Nut
6	534789000		Switch
7	534790700		Trigger Spring
8	534808100		Square Nut
9	534768301		Motor Ass'y.
10	534790300		Screw
11	534731402		Screw
12	534790301		Screw
13	534798700	1200 Electric Trimmer Page 2 of 3	Warning Label (Not a serviceable part)
14	534789600	TRIMMER/BRUSH CUTTER	Logo Label (L) (Model 1000)
14	534845900		Logo Label (L) (Not a serviceable part)
15	534560103		Fan Clamp
16	534526802		Fan
17	534788505		Flex Shaft Ass'y.
18	534788902		Sleeve Tubing
19	534788102		Housing Clamp
20	534799500		Screw
21	534828701		Washer
22	534788005		Spindle Housing
23	534636002		Washer
24	534790600		Bearing Holder Disk
25	534789901		Shaft Adapter
26	534228802		Washer
27	534167005		Head Ass'y. (Model 1000)
27	534167011		Head Ass'y. (Model 1200)
28	534790500		Nut
29	534789400		Logo Label (R) (Model 1000)
29	534846000		Logo Label (R) (Model 1200) (Not a serviceable part)
30	534799400		Nameplate Label (Model 1000)
30	534847900		Nameplate Label (Model 1200)
31	534270100		Hanger
32	534790200		Guard Ass'y. (Model 1000)
32	534846100		Guard Ass'y. (Model 1200)
33	534787800		Shaft Adapter
34	534167215		Rear Plate
35	534167805		Spool & Line (Model 1000)
35	534167815		Spool & Line (Model 1200)
36	534167700		Foam Pad
37	534316200		O-Ring
38	534166700		Adapter Nut
39	534819200		Spring
40	534167935		Hub Ass'y.
41	534228703		Screw
42	534207101		Endbell Ass'y. (Drive)
43	534228800		Washer
44	534227004		Field Ass'y.
45	534767701		Armature Ass'y.
46	534246700		Retaining Ring
47	534238903		Washer
48	534227501		Endbell Ass'y. (Brush)
49	534226000		Insulator
50	534227800		Brush

Ref #	Part Number	Qty	Description
51	534228000		Brush Spring
52	534227700		Brush Holder
53	534450400		Brush Kit (Incl. 50,51,52)
54	534885980		Operator Manual Not Shown.
