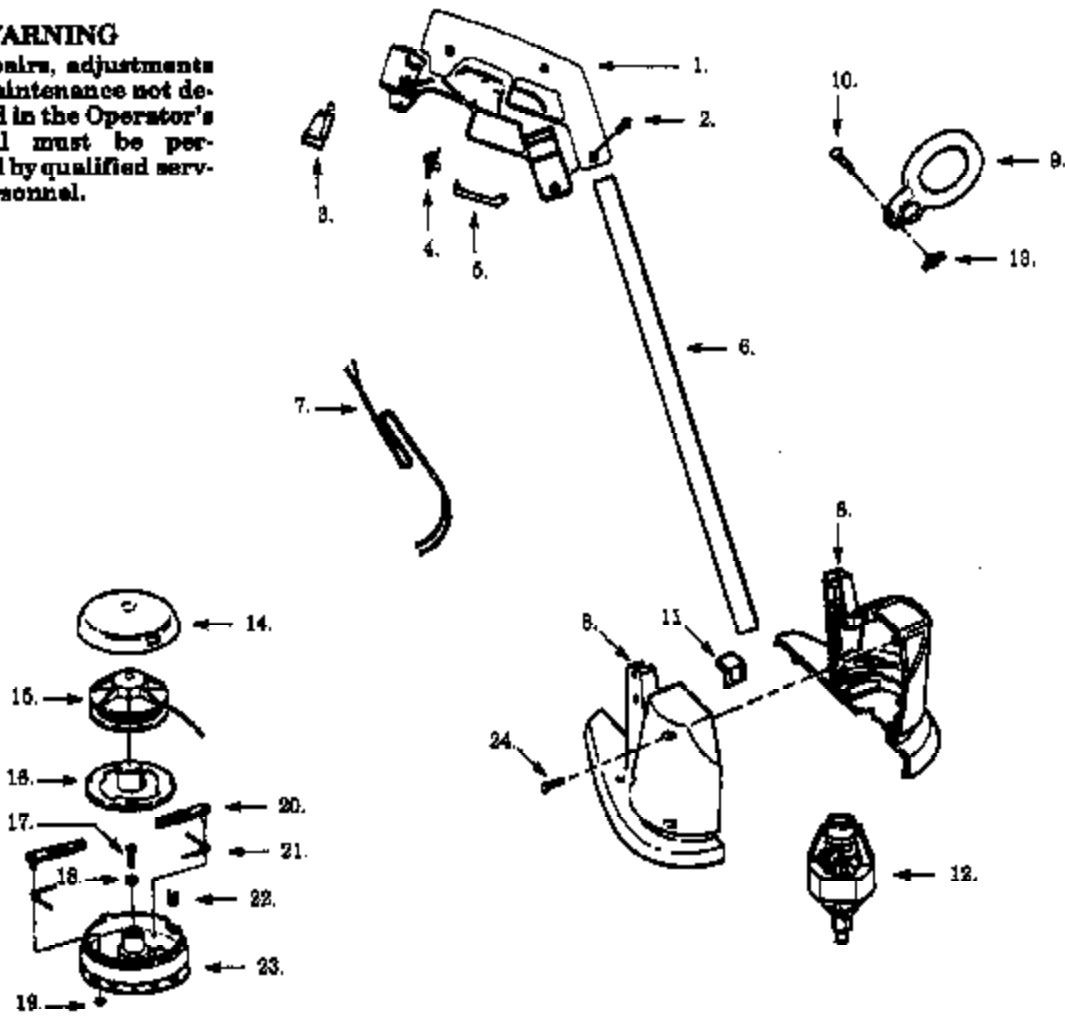


▲ WARNING

All repairs, adjustments and maintenance not described in the Operator's Manual must be performed by qualified service personnel.



Ref #	Part Number	Qty	Description
1	530347598		Handle Set
2	530352036		Screw
3	530347653		Cord Retainer
4	530347897		On/Off Switch
5	530347654		Trigger Switch
6	530401592		Tube Ass'y.
7	530401660		Plug/Harness Ass'y.
8	534014580		Housing Set
9	530322295		Assist Handle
10	530340228		Bolt
11	534938002		Blade/Bracket Ass'y.
12	534102003		Motor Ass'y.
13	530400013	100	Electric Trimmer
14	534919200		Wing Nut TRIMMER ASSEMBLY Cover
15	534919002		Spool w/Line
16	534100640		Cam
17	534978600		Screw
18	534908700		Washer
19	534400701		Push Nut
20	530400713		Arm
21	534908501		Spring
22	534918500		Line Shield
23	530400739		Housing Ass'y.
24	534193800		Screw
	530082297		Operator Manual Not Shown.
	530085012		Carton (Not a serviceable part) Not Shown.