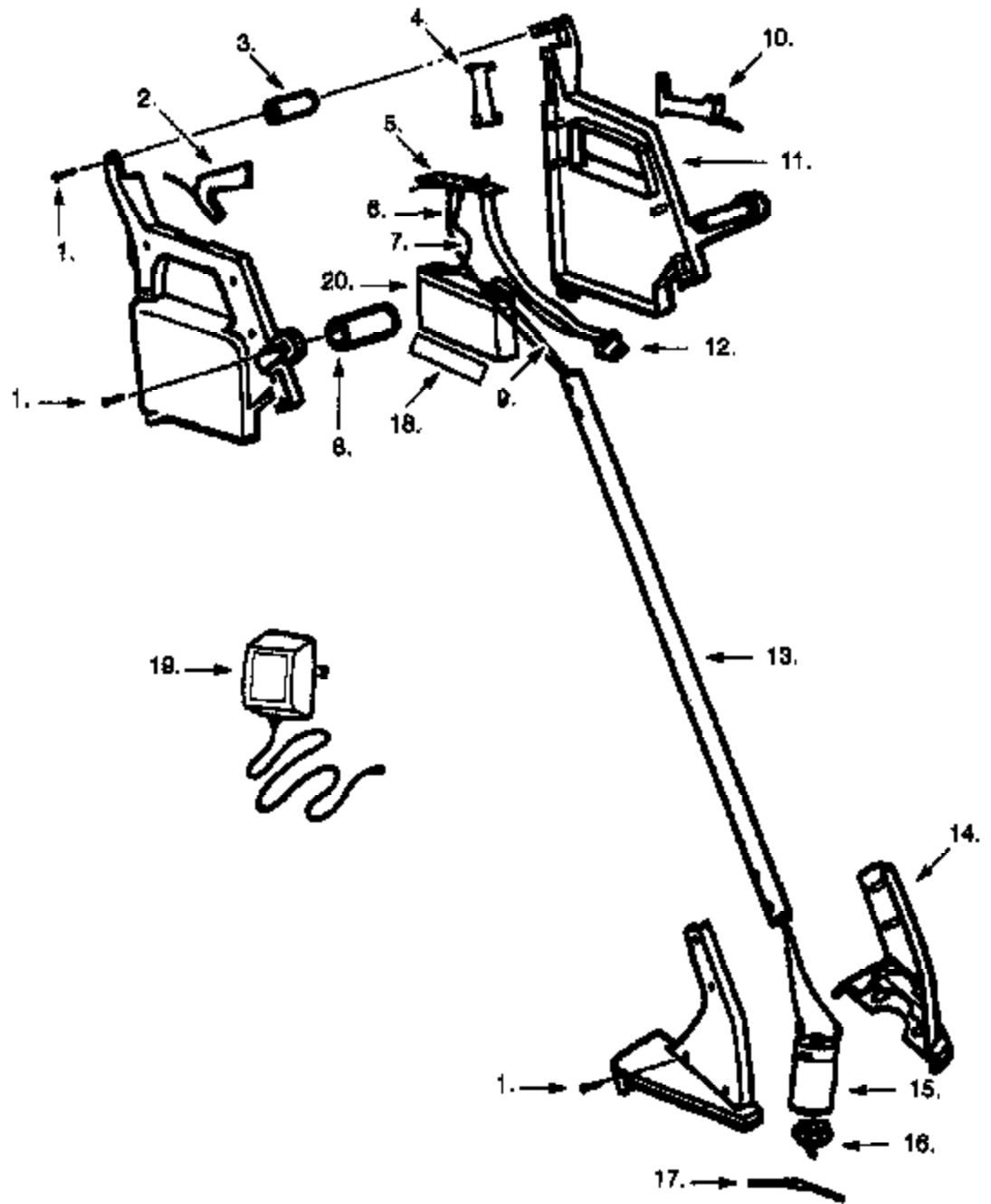


WARNING

All repairs, adjustments and maintenance not described in the Operator's Manual must be performed by qualified service personnel.



Ref #	Part Number	Qty	Description
1	530340179		Screw
2	530037040		Trigger Lock
3	530400418		Wrist Support Cushion
4	530400413		Door Line Storage
5	530036586		Circuit Board Ass'y.
6	530400417		Wire Ass'y. (Red)
7	530400470		Wire Ass'y.
8	530400419		Assist Handle Cushion
9	530400416		Wire Ass'y. (Black)
10	530400412		Trigger Switch
11	530400449		Battery Hsg. Set
12	530400452		Receptacle Ass'y.
13	530400451	Clipstick Cordless Phone Ref 2	Tube w/Warning Decal
14	530400450	Clipstick Assembly	Motor Hsg. Set
15	530400425		Motor
16	530400617		Hub w/Line Retainer
17	952701636		Line
18	530350017		Foam Spacer
19	530400440		Charger
20	530400414		Battery
	530400429		Operator Manual Not Shown
	530403062		Warning Decal Not Shown