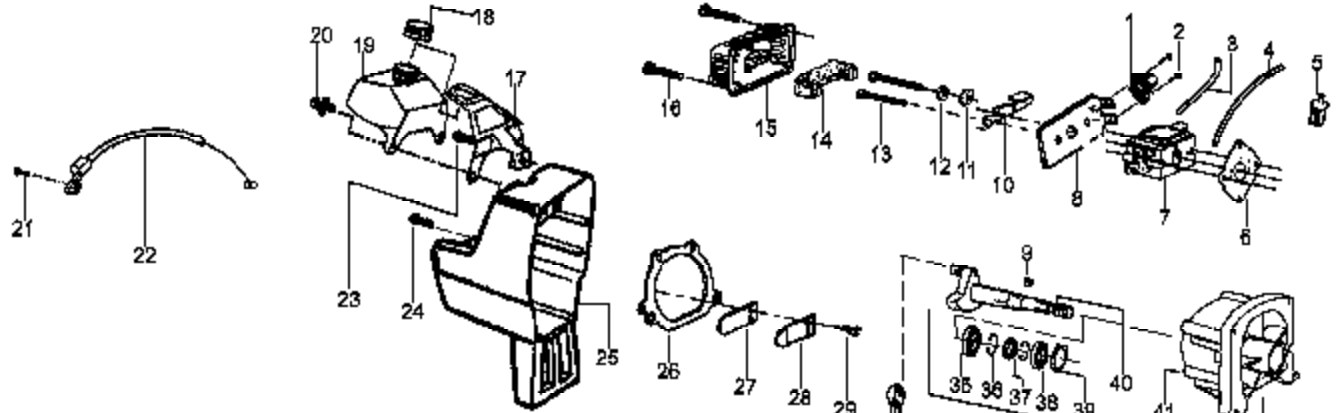
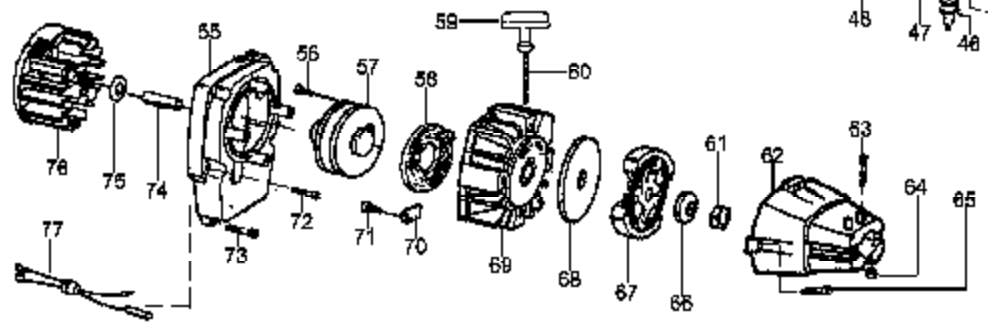
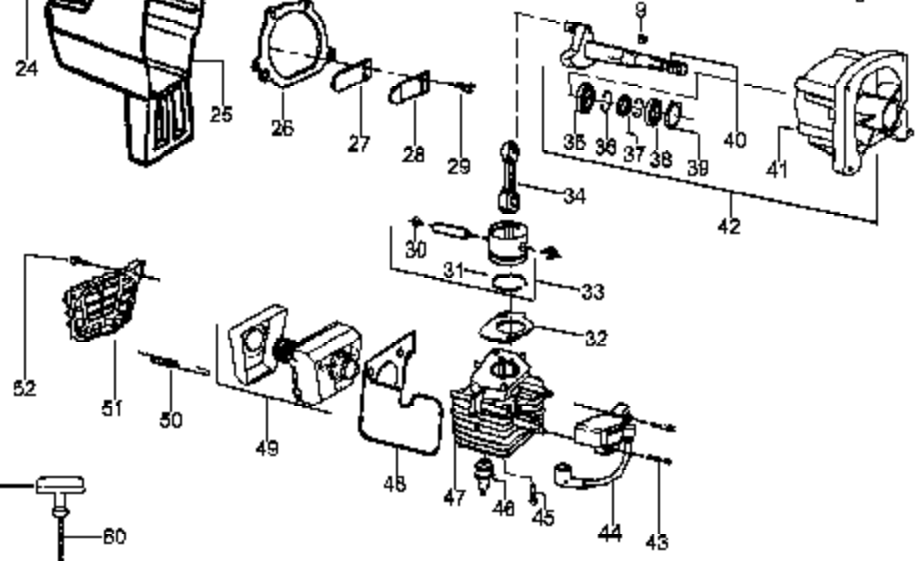


| Ref # | Part Number | Qty | Description |
|-----------|-------------|-----|--|
| 1 | 530069829 | | Carburetor Repair Kit (KIT = Indicates Contents) |
| 2 | 530038479 | | Limiter Cap (High-Brown) |
| 3 | 530038478 | | Limiter Cap (Low-Tan) |
| 4 | 530069844 | | Gasket/Diaphragm Kit (DOT = Indicates Contents) |
| 5 | | | UNKNOWN |
| 6 | | | UNKNOWN |
| 7 | | | UNKNOWN |
| 8 | | | UNKNOWN |
| 530069651 | 530069651 | | Carburetor Assembly - WT298B |



Spark Arrestor Kit
54

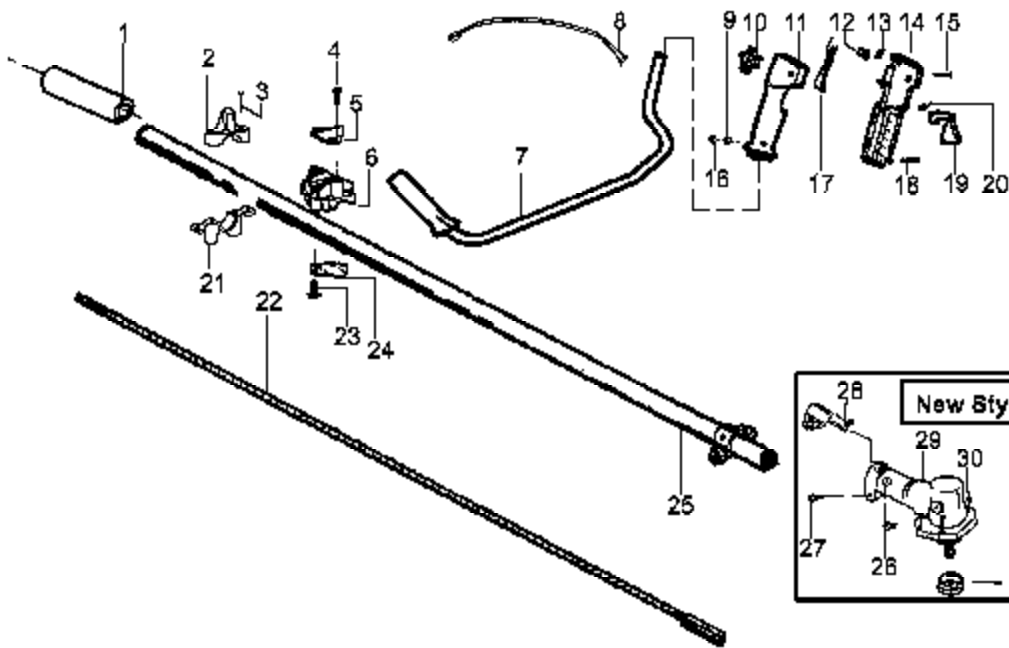
Engine Gasket Kit
55



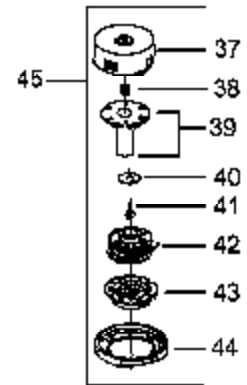
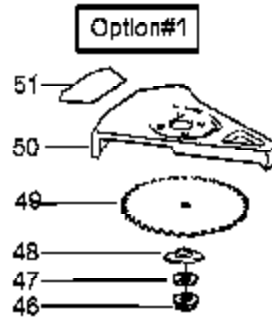
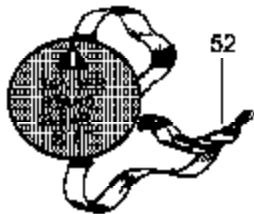
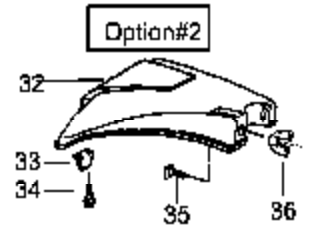
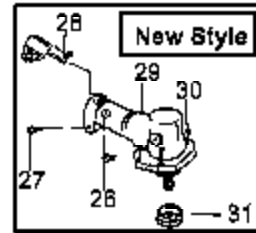
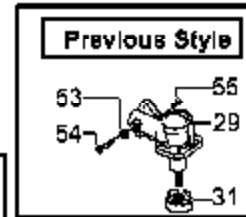
| Ref # | Part Number | Qty | Description |
|-------|-------------|-----------------------------|---|
| 1 | 530038874 | | Assy-Bulb |
| 2 | 530016091 | | Screw |
| 3 | 530069247 | | Kit-Fuel Line (small) |
| 4 | 530069216 | | Kit-Fuel line (large) |
| 5 | 530095646 | | Assy-Fuel Pick-up |
| 6 | 530019156 | | Gasket-Carburetor |
| 7 | 530069651 | | Kit-Carburetor Ass'y. (Incls. Limiter Caps) |
| 8 | 530037930 | | Plate-Air Filter |
| 9 | 530015126 | | Key-Flywheel |
| 10 | 530038103 | | Shutter-Choke |
| 11 | 530015254 | | Washer |
| 12 | 530015852 | | Spacer-Choke |
| 13 | 530015849 | BC3100 Gas Trim Page 4 of 9 | Screw |
| 14 | 530027530 | Engine Assembly | Filter-Air |
| 15 | 530027529 | | Cover-Air Filter |
| 16 | 530015650 | | Screw |
| 17 | 530029370 | | Bracket-Fuel Tank |
| 18 | 530014347 | | Assy-Fuel Cap |
| 19 | 530038166 | | Assy-Fuel Tank |
| 20 | 530015843 | | Screw |
| 21 | 530015775 | | Screw |
| 22 | 530047040 | | Throttle Cable |
| 23 | 530015772 | | Screw |
| 24 | 530015771 | | Screw |
| 25 | 530027923 | | Shroud |
| 26 | 530019154 | | Gasket-C'case/Shroud |
| 27 | 530027593 | | Reed Valve |
| 28 | 530027594 | | Stop-Reed |
| 29 | 530016064 | | Screw |
| 30 | 530015162 | | Retainer-Piston Pin |
| 31 | 530025875 | | Ring-Piston |
| 32 | 530019178 | | Gasket-Cylinder |
| 33 | 530069899 | | Kit-Piston (Incls. 30, 31 & Pin) |
| 34 | 530010960 | | Assy-Connecting Rod |
| 35 | 530032103 | | Bearing-Inner |
| 36 | 530015787 | | Ring-Retaining |
| 37 | 530019158 | | Seal-Crankshaft |
| 38 | 530032102 | | Bearing-Outer |
| 39 | 530015789 | | Retaining Ring-C'shaft |
| 40 | 530010934 | | Assy-Crankshaft |
| 41 | 530014016 | | Assy-Crankcase (Incls. 35-38) |
| 42 | 530014015 | | Crankcase/Crankshaft Ass'y. (Incls.35-41) |
| 43 | 530016357 | | Screw |
| 44 | 530039134 | | Ignition Module |
| 45 | 530001624 | | Screw |
| 46 | 952030249 | | Spark Plug (RCJ-6Y) |
| 47 | 530071582 | | Kit-Cylinder |
| 48 | 530053346 | | Heat Shield/Air Dam |
| 49 | 530069310 | | Kit-Muffler |
| 50 | 530036409 | | Spring-Muffler |
| 51 | 530027781 | | Guard-Muffler |
| 52 | 530015717 | | Screw |
| 53 | 530069276 | | Kit-Engine Gasket (Incls. 6, 26 & 32) |
| 54 | 952701612 | | Kit-Spark Arrestor |
| 55 | 530027947 | | Fan Housing |
| 56 | 530016080 | | Screw |

| Ref # | Part Number | Qty | Description |
|-------|-------------|-----|--------------------------------|
| 57 | 530071387 | | Kit-Starter Pulley (Incls. 56) |
| 58 | 530027531 | | Spring-Starter |
| 59 | 530027569 | | Handle-Starter |
| 60 | 530069232 | | Kit-Rope |
| 61 | 530016320 | | Nut |
| 62 | 530014017 | | Clutch Housing |
| 63 | 530015767 | | Screw |
| 64 | 530015768 | | Locknut |
| 65 | 530015770 | | Screw |
| 66 | 530015796 | | Washer-Bevel |
| 67 | 530069254 | | Kit-Clutch Ass'y |
| 68 | 530094189 | | Washer-Clutch |
| 69 | 530014009 | | Assy-Pulley Housing |
| 70 | 530027523 | | Retainer |
| 71 | 530015496 | | Screw |
| 72 | 530015770 | | Screw |
| 73 | 530015769 | | Screw |
| 74 | 530027511 | | Spacer-Clutch |
| 75 | 530016030 | | Washer |
| 76 | 530039189 | | Assy-Flywheel |
| 77 | 530047145 | | Leadwire/Grommet Ass'y. |

BC3100 Gas Trim Page 5 of 9
 Engine Assembly



⚠ WARNING
 All repairs, adjustments and maintenance not described in the Operator's Manual must be performed by qualified service personnel.



| Ref # | Part Number | Qty | Description |
|-------|-------------|-----|--|
| 1 | 530054652 | | Pad-Drive Shaft |
| 2 | 530055392 | | Clamp-(upper) |
| 3 | 530015770 | | Screw |
| 4 | 530015791 | | Screw |
| 5 | 530094572 | | Bracket-Handlebar |
| 6 | 530012207 | | Clamp-Handlebar |
| 7 | 530047139 | | Assy-Handlebar |
| 8 | 530053255 | | Assy-Wire Harness |
| 9 | 530016285 | | Washer, Split Lock |
| 10 | 503718201 | | Switch-Rocker |
| 11 | 502208607 | | Throttle Hsg. Right |
| 12 | 502209602 | | Throttle Lock |
| 13 | 530403152 | | Spring-Throttle Lock |
| 14 | 502208507 | | Throttle Hsg. Left |
| 15 | 503210719 | | Screw |
| 16 | 530016284 | | Nut |
| 17 | 502199403 | | Throttle Lockout |
| 18 | 530015933 | | Screw |
| 19 | 502199203 | | Trigger-Throttle |
| 20 | 502199301 | | Spring-Trigger |
| 21 | 530055394 | | Clamp-(lower) |
| 22 | | | Flex-Shaft-57" Refer To The Service Reference Indicated For More Information. (Located At End Of IPL) |
| 23 | 530015791 | | Screw |
| 24 | 530094572 | | Bracket-Handlebar |
| 25 | | | Assy-Drive Shaft Refer To The Service Reference Indicated For More Information. (Located At End Of IPL) |
| 26 | 530016371 | | Screw |
| 27 | 530016014 | | Screw |
| 28 | 530095812 | | Bracket-Shield |
| 29 | | | Kit-Gear Box Ass'y. Refer To The Service Reference Indicated For More Information. (Located At End Of IPL) |
| 30 | 530016312 | | Screw |
| 31 | | | Dust Cup |
| 32 | 530069779 | | Kit-Shield Ass'y. (Incls. 33-36) |
| 33 | 530052285 | | Line Limiter |
| 34 | 530015805 | | Screw |
| 35 | 530015820 | | Bolt |
| 36 | 530016118 | | Wingnut |
| 37 | 530094931 | | Assy-Hub |
| 38 | 530094956 | | Spring |
| 39 | 530069312 | | Kit-Locking Plate |
| 40 | 530015123 | | Washer |
| 41 | 530015810 | | Screw |
| 42 | 952711564 | | Spool w/Line |
| 43 | 530094522 | | Release Button |
| 44 | 530094521 | | Cover |
| 45 | 952711565 | | Accy-Cutting Head (Incls. 37-44) |
| 46 | 530015793 | | Nut-Flange |
| 47 | 530016240 | | Washer-Spring Beve |
| 48 | | | Washer-Blade Ret. Refer To The Service Reference Indicated For More Information. (Located At End Of IPL) |
| 49 | 952711585 | | Brush Blade |
| 50 | 530071383 | | Kit-Blade Shield |

BC3100 Gas Trim Page 7 of 9
 Handle, Chassis & Bar Ass'y

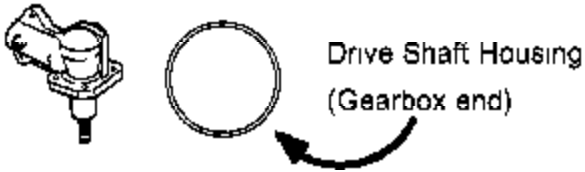
| Ref # | Part Number | Qty | Description |
|-------|-------------|-----|-------------------------------|
| 51 | 530056335 | | Decal Blade Direction |
| 52 | 530094417 | | Shoulder Strap |
| 53 | 530015328 | | Washer (Type 1,2,3) |
| 54 | 530016140 | | Screw (Type 1,2,3) |
| 55 | 530015650 | | Screw (Type 1,2,3) |
| | 530088776 | | Manual Not Shown |
| | 530163107 | | Manual (Current) Not Shown |
| | 530088132 | | Manual Not Shown |
| | 530031098 | | Hex Wrench (3/16) Not Shown |
| | 530031159 | | Hex Wrench (5/32) Not Shown |
| | 530055349 | | Shaft Warning Decal Not Shown |

BC3100 Gas Trimmer Page 8 of 9
Handle, Chassis & Bar Assembly

★★★★ Service Reference ★★★★★

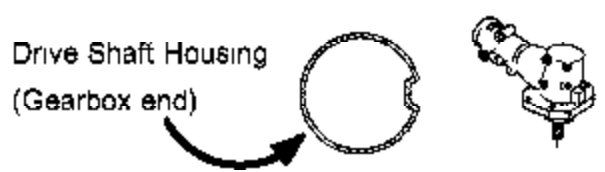
This unit was built with two different style gearboxes and driveshaft housings. When ordering these parts, please identify the type you have and order accordingly.

Previous Style



| Part No. | Description |
|-----------|------------------------|
| 530071378 | Assy-Gearbox |
| 530069783 | Housing - Driveshaft |
| 530094566 | Shaft-Flex |
| 530018166 | Cup-Dust |
| 530018167 | Washer-Blade Retaining |

New Style



| Part No. | Description |
|-----------|------------------------|
| 530071585 | Assy-Gearbox |
| 530071288 | Housing - Driveshaft |
| 530095795 | Shaft-Flex |
| 530095815 | Cup-Dust |
| 530095816 | Washer-Blade Retaining |