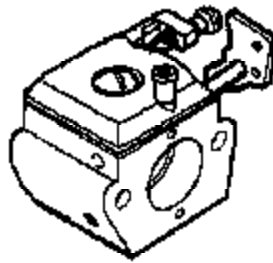


Ref #	Part Number	Qty	Description
1	530038478		Limiter Cap (low)
2	530038479		Limiter Cap (high)
3	530071517		Kit-Carburetor Repair (KIT = Indicates Contents)
4	530071442		Kit-Carburetor Minor Repair (DOT = Indicates Contents)
530071443	530071443		Carburetor Assembly (C1U-W10)

Featherlite SST LE Gas Turbine
 Carburetor Assembly (C1U-W

Kit - Carburetor Assembly No. 530071628 - C1U-W10B

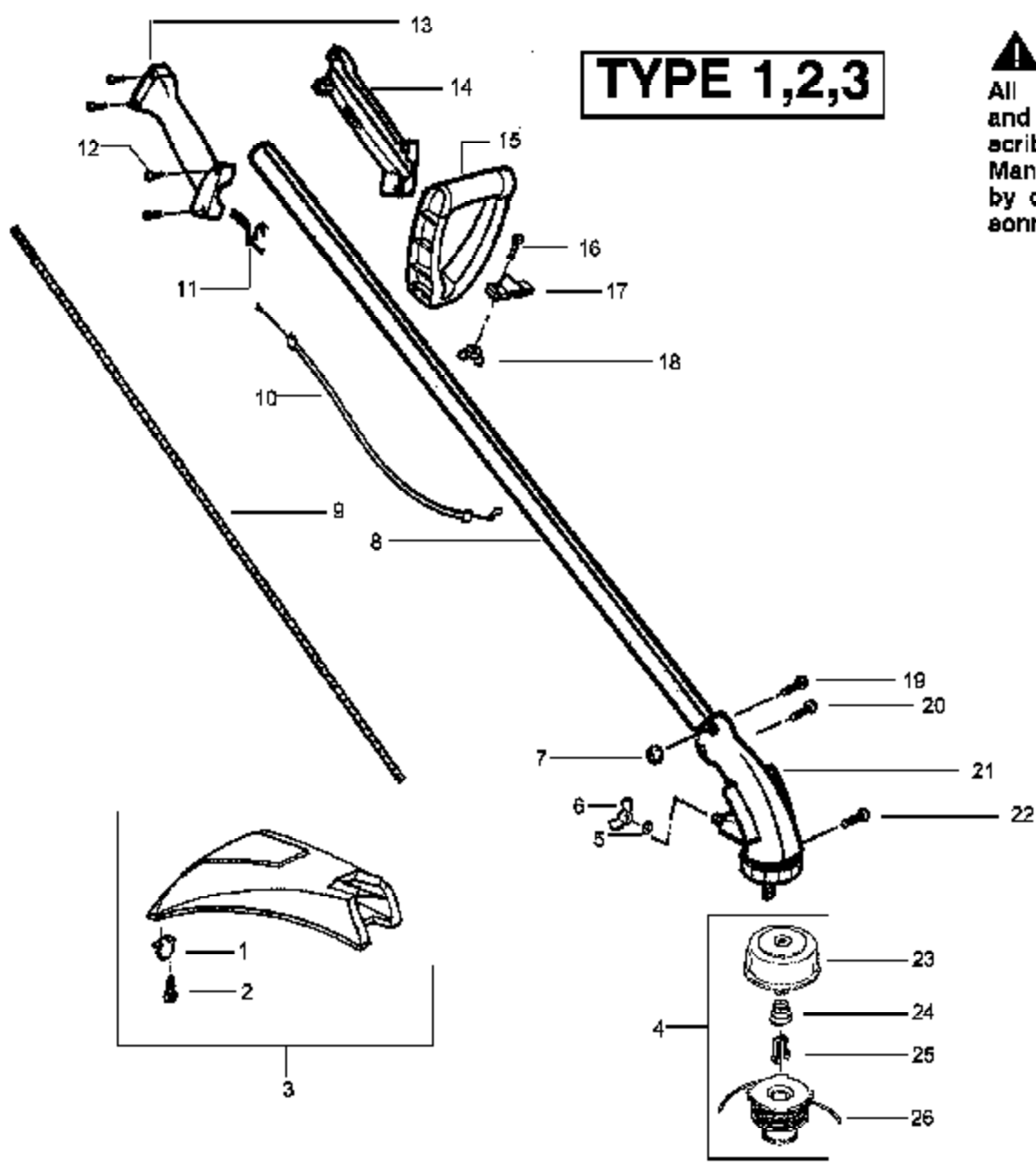


Note: No Repair kits are available for this carburetor, please order the complete assembly part number 530-071628 (C1U-W10B)

Ref #	Part Number	Qty	Description
530071628	530071628		Kit - Carburetor Assembly - C1U-W10B

Featherlite SST LE Gas Turbine
Carburetor Assembly (C1U-W

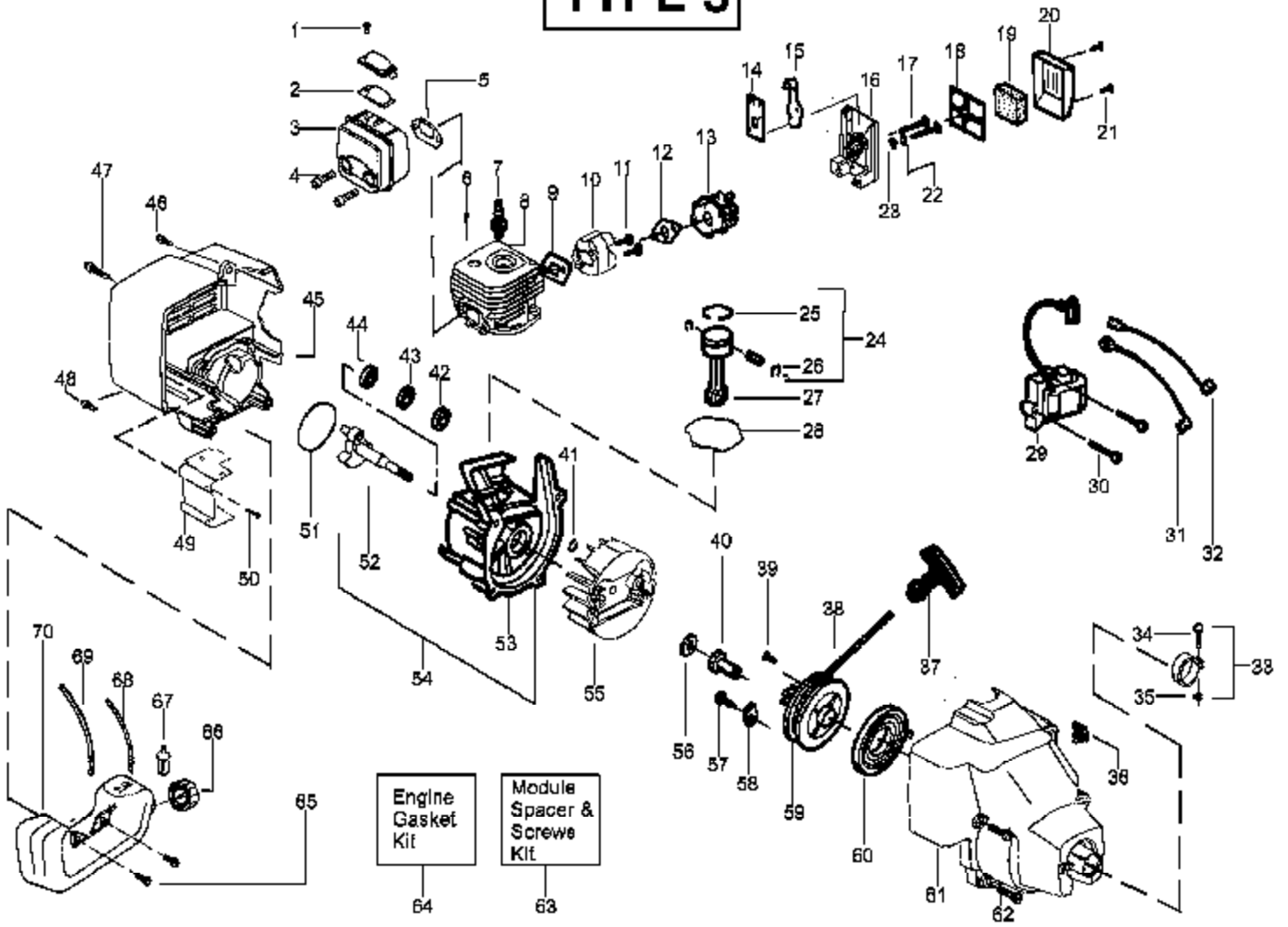
TYPE 1,2,3



⚠ WARNING
All repairs, adjustments and maintenance not described in the Operator's Manual must be performed by qualified service personnel.

Ref #	Part Number	Qty	Description
1	530052286		Line Limiter
2	530015880		Screw-Line Limiter
3	530069752		Shield Kit Ass'y. (Incl. 1 & 2)
4	952711595		Accy-TNG 6 Head 5/16 rh 2x (Incl. 23-26)
5	530092062		Washer
6	530016225		Wingnut-Gear Box
7	530016284		Locknut-Gear Box
8	530053002		Drive Shaft Hsg. Ass'y
9	530095391		Flex-Drive Shaft
10	530071548		Throttle Cable Ass'y.
11	530038682		Trigger
12	530016349		Screw-Throttle Hsg.
13	530038581	Featherlite SST L-Pad Gas Trip	Throttle Hsg. (Right)
14	530038580	Drive Shaft & Cutting Head	Throttle Hsg. (Left)
15	530038708		Assist Handle
16	530015820		Bolt-Handle
17	530094742		Clamp-Handle
18	530016118		Wingnut-Handle
19	530016312		Screw
20	530016224		Screw
21	530069753		Kit-Gear Box
22	530016202		Screw
23	530071306		Kit-Hub Ass'y
24	530053241		Spring
25	530401957		Retainer
26	952711596		Accy-Spool w/Line
	530163363		Operator Manual Not Shown
	530055350		Decal-Shaft Warning Not Shown
	530054864		Decal-Start Inst. Not Shown

TYPE 3



Ref #	Part Number	Qty	Description
1	530015241		Screw-Screen
2	530071544		Kit-Spark Arrestor
3	530071672		Kit-Muffler (Incl. #1,2,4,5)
4	530016338		Bolt-Muffler
5	530071363		Gasket-Muffler (kit)
6	530015953		Screw-Cylinder
7	952030249		Spark Plug (RCJ 6Y)
8	530071668		Kit-Cylinder
9	530071363		Gasket-Cyl./Carb.(kit)
10	530057634		Adapter-Carb.
11	530016309		Screw
12	530071363		Gasket-Carb. (kit)
13	530071628		Kit-Carburetor Ass'y (C1U-W10B)
14	530038747		Choke Plate Mounting
15	530038686		Shutter-Choke
16	530052431		Air Box
17	530016393		Screw
18	530036569		Plate-Filter Support
19	530036575		Foam-Air Filter
20	530054414		Cover-Air Filter
21	530015892		Screw
22	530015852		Spacer-Choke
23	530015254		Washer
24	530071357		Kit-Piston (Incl. 25, 26 & Pin)
25	530055120		Piston Ring
26	530015162		Retainer-Piston Pin
27	530069945		Assy-Connecting Rod
28	530071363		Seal-Cylinder (kit)
29	530055160		Ignition Module
30	530016357		Screw
31	530014662		Assy-Ground Wire
32	530014663		Assy-Leadwire
33	530056365		Assy-Nose Cone Clamp (Incls. 34 & 35)
34	530016381		Screw-Nose Cone
35	530016382		Nut-Nose Cone
36	530071356		Kit-Switch
37	530027569		Handle-Starter
38	530069232		Kit-Rope
39	530016080		Screw
40	530038604		Coupling-Drive
41	530015941		Retain. Ring-C'shaft
42	530055728		Outer Bearing
43	530071615		Kit-C'case Seal
44	530032125		Inner Bearing
45	530056710		Shroud-Rear
46	530016349		Screw
47	530015810		Screw
48	530016349		Screw
49	530055351		Shield-Heat
50	530015805		Screw
51	530071363		O-Ring-C'case (kit)
52	530054753		Assy-Crankshaft
53	530012510		Assy-Crankcase (Incl. 42-44)
54	530071669		Assy-C'case & C'shaft (Incl. 41,52,53)
55	530069886		Assy-Flywheel
56	530015828		Washer-Flat

Ref #	Part Number	Qty	Description
57	530015775		Screw
58	530027523		Retainer-Can
59	530069400		Kit-Starter Pulley (Incl. 39)
60	530042085		Spring-Starter
61	530056706		Assy.-Fan Hsg
62	530015810		Screw
63	530071731		Kit-Module Spacer & Screws
64	530071363		Kit-Engine Gasket (Incl. 5,9,12,28,51)
65	530016379		Retainer
66	530014347		Assy-Fuel Cap
67	530095646		Assy-Fuel Pickup
68	530069247		Kit-Fuel Line (Small)
69	530069216	Featherlite SST-1 Edge Stop	Kit-Fuel Line (Large)
70	530049296	Engine Assembly Type 3	Assy-Fuel Tank (Incl. filter, lines & fuel cap)