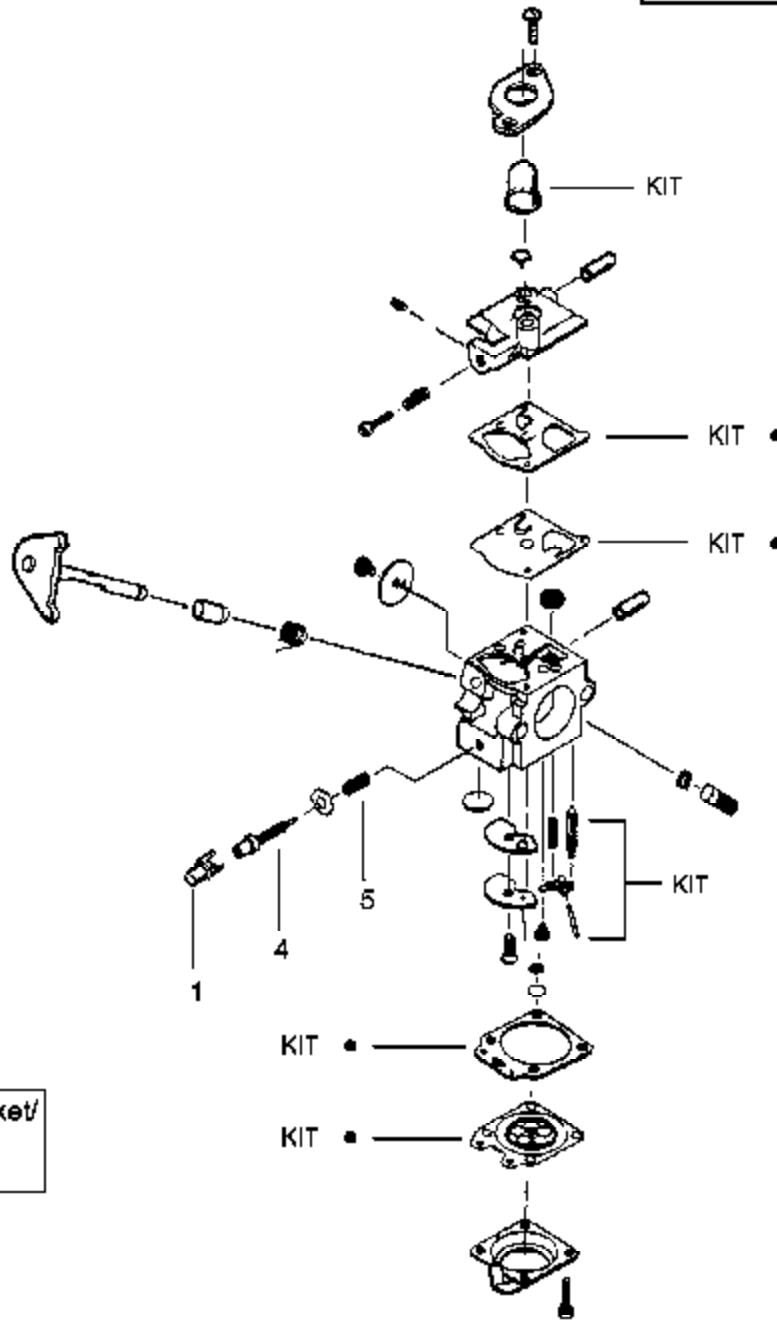


Carburetor Assembly #530069754 WA-226

TYPE 1,2,3,4



Carb.
Repair
Kit

2

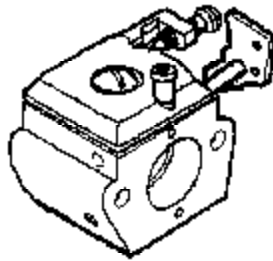
Gasket/
Dia.
Kit

3

| Ref # | Part Number | Qty | Description |
|-----------|-------------|-----|--|
| 1 | 530038403 | | Limiter Cap |
| 2 | 530069838 | | Carburetor Repair Kit (KIT = Indicates Contents) |
| 3 | 530069844 | | Gasket Diaphragm Kit (DOT = Indicates Contents) |
| 4 | 530035341 | | Needle-Idle |
| 5 | 530035342 | | Spring-Idle Needle |
| 530069754 | 530069754 | | Carburetor Assembly (WA226) |

Featherlite SST 25 HO2610
Page 6 of 10
Carburetor Assembly (WA226)

Kit - Carburetor Assembly No. 530071635 - WT-631

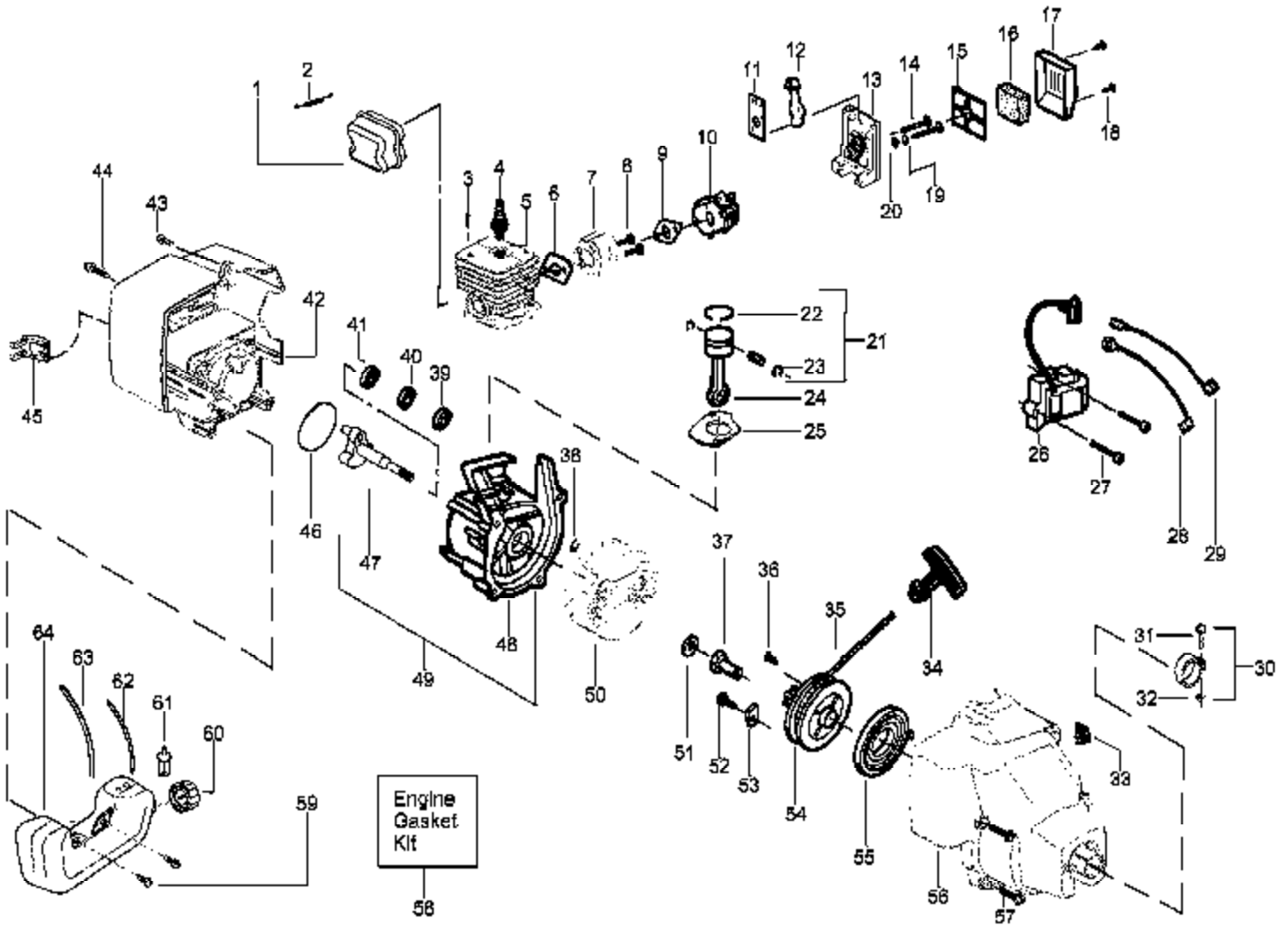


Note: No Repair kits are available for this carburetor, please order the complete assembly part number 530-071635 (WT-631)

| Ref # | Part Number | Qty | Description |
|-----------|-------------|-----|------------------------------------|
| 530071635 | 530071635 | | Kit - Carburetor Assembly - WT-631 |

Featherlite SST Page 4 of 10
Carburetor Assembly (WT-63

TYPE 4



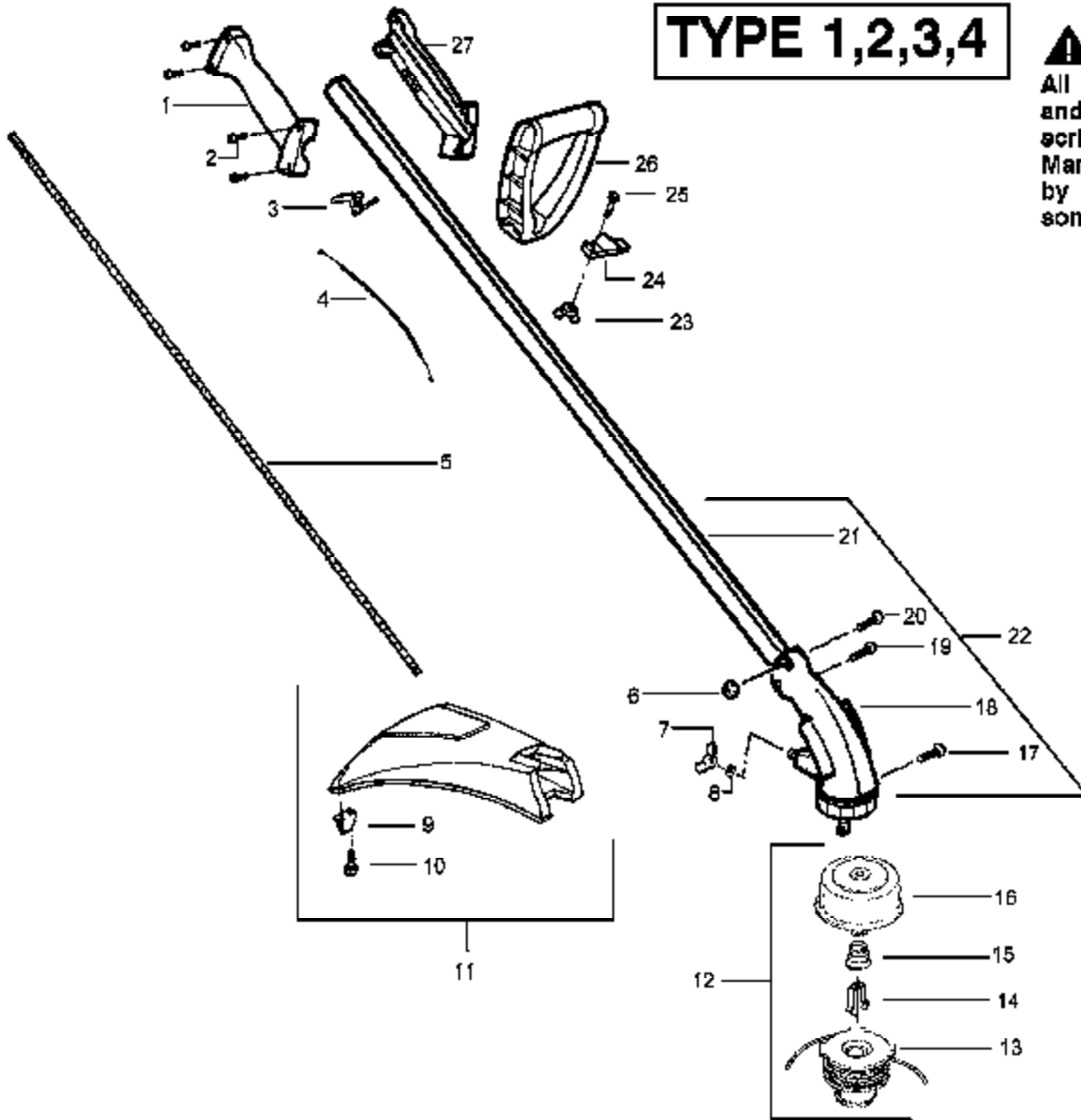
| Ref # | Part Number | Qty | Description |
|-------|-------------|----------------------------|--|
| 1 | 530071396 | | Kit - Muffler (Incl. 2) |
| 2 | 530042088 | | Spring-Muffler |
| 3 | 530015953 | | Screw-Cylinder |
| 4 | 952030249 | | Spark Plug (RCJ-6Y) |
| 5 | 530071359 | | Kit - Cylinder |
| 6 | 530071363 | | Gasket-Cylind./Carb. |
| 7 | 530057634 | | Adapter-Carb. |
| 8 | 530016014 | | Screw |
| 9 | 530071363 | | Gasket-Carb. |
| 10 | 530071635 | | Kit - Carburetor Ass'y (WT-631) |
| 11 | 530038747 | | Choke Plate Mounting |
| 12 | 530038686 | | Shutter-Choke |
| 13 | 530052431 | Featherlite SST 2500 Gas 0 | Air Box |
| 14 | 530016393 | Engine Assembly Type 4 | Screw |
| 15 | 530036569 | | Plate - Filter Support |
| 16 | 530036575 | | Foam-Air Filter |
| 17 | 530036568 | | Cover-Air Filter |
| 18 | 530016349 | | Screw |
| 19 | 530015852 | | Spacer-Choke |
| 20 | 530015254 | | Washer |
| 21 | 530071357 | | Kit - Piston (Incl. 22, 23 & Pin) |
| 22 | 530055120 | | Piston Ring |
| 23 | 530015162 | | Retainer-Piston Pin |
| 24 | 530069945 | | Assy-Connecting Rod |
| 25 | 530071363 | | Gasket-Cylinder |
| 26 | 530055160 | | Ignition Module |
| 27 | 530016357 | | Screw |
| 28 | 530014662 | | Assy-Ground Wire |
| 29 | 530014663 | | Assy-Leadwire |
| 30 | 530056365 | | Assy-Nose Cone Clamp (Incls. 31 & 32) |
| 31 | 530016381 | | Screw-Nose Cone |
| 32 | 530016382 | | Nut-Nose Cone |
| 33 | 530071356 | | Kit-Switch |
| 34 | 530027569 | | Handle-Starter |
| 35 | 530069232 | | Kit - Rope |
| 36 | 530016080 | | Screw |
| 37 | 530038604 | | Coupling-Drive |
| 38 | 530015941 | | Retain. Ring-C'shaft |
| 39 | 530055728 | | Outer Bearing |
| 40 | 530071615 | | Kit-C'case Seal |
| 41 | 530032125 | | Inner Bearing |
| 42 | 530069685 | | Kit-Shroud (Incl. # 56) |
| 43 | 530015934 | | Screw |
| 44 | 530015810 | | Screw |
| 45 | 530054536 | | Guard-Muffler |
| 46 | 530071363 | | O-Ring-C'case/Shrd |
| 47 | 530054753 | | Assy-Crankshaft |
| 48 | 530071627 | | Kit-Crankcase (Incl. 39-41) |
| 49 | 530071624 | | Assy-C'case & C'shaft (Incl. 38,47,48) |
| 50 | 530069886 | | Assy-Flywheel |
| 51 | 530015828 | | Washer-Flat |
| 52 | 530015775 | | Screw |
| 53 | 530027523 | | Retainer-Can |
| 54 | 530069400 | | Kit-Starter Pulley (Incl. 36) |
| 55 | 530042085 | | Spring-Starter |
| 56 | 530069685 | | Kit-Fan Hsg (Incl. # 42) |

| Ref # | Part Number | Qty | Description |
|-------|-------------|-----|---|
| 57 | 530015810 | | Screw |
| 58 | 530071363 | | Kit-Engine Gasket (Incl. 6,9,25,46) |
| 59 | 530016379 | | Retainer |
| 60 | 530014347 | | Assy-Fuel Cap |
| 61 | 530095646 | | Assy-Fuel Pickup |
| 62 | 530069247 | | Kit-Fuel Line (Small) |
| 63 | 530069216 | | Kit-Fuel Line (Large) |
| 64 | 530049379 | | Assy-Fuel Tank (Incl. filter, lines & fuel cap) |

Featherlite SST Page 7 of 10
 Engine Assembly Type 4

TYPE 1,2,3,4

⚠ WARNING
All repairs, adjustments and maintenance not described in the Operator's Manual must be performed by qualified service personnel.



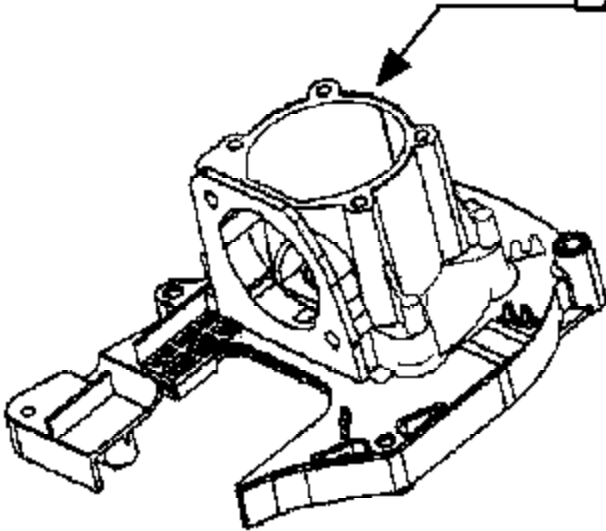
| Ref # | Part Number | Qty | Description |
|-------|-------------|-----|--|
| 1 | 530038581 | | Throttle Hsg. (Right) |
| 2 | 530016349 | | Screw-Throttle Hsg. |
| 3 | 530038682 | | Trigger |
| 4 | 530071548 | | Assy-Throttle Cable |
| 5 | 530095391 | | Flex-Drive Shaft |
| 6 | 530016284 | | Locknut-Gear Box |
| 7 | 530016225 | | Wingnut-Gear Box |
| 8 | 530092062 | | Washer |
| 9 | 530052286 | | Line Limiter |
| 10 | 530015880 | | Screw-Line Limiter |
| 11 | 530069752 | | Kit-Shield Ass'y. (Incl. 9 & 10) |
| 12 | 952711566 | | Accy-Cutting Head Ass'y. (Incl. 13-16) |
| 13 | 952711548 | | Featherlite SST, 2500 GPH Accy-Spool W/Line |
| 14 | 530401957 | | Handle, Chassis & Bar Ass'y Clip Retainer |
| 15 | 530053241 | | Spring |
| 16 | 530071306 | | Kit-Hub Ass'y |
| 17 | 530016202 | | Screw |
| 18 | 530095638 | | Assy-Gear Box |
| 19 | 530016224 | | Screw |
| 20 | 530016312 | | Screw |
| 21 | 530071303 | | Assy-Drive Shaft Hsg. |
| 22 | 530069927 | | Kit-Gearbox/Shaft (Incl. #18 & 21) |
| 23 | 530016118 | | Wingnut Handle |
| 24 | 530094742 | | Clamp Handle |
| 25 | 530015820 | | Bolt Handle |
| 26 | 530038708 | | Assist Handle |
| 27 | 530038580 | | Throttle Hsg. (Left) |
| | 530088826 | | Operator Manual (Type 1) Not Shown |
| | 530163448 | | Operator Manual (Type 2,3,4) Not Shown |
| | 530055350 | | Decal-Shaft Warning Not Shown |
| | 530054864 | | Decal-Start Inst. Not Shown |

***** **SERVICE REFERENCE** *****

Note: When replacing item# 49 on page 2, please note if the surface indicated by the arrow is flat or has a beveled edge and order accordingly.

- (A) Flat Surface - 530-019181 Gasket
- (B) Beveled surface - 530-056097 O-ring

A



B

