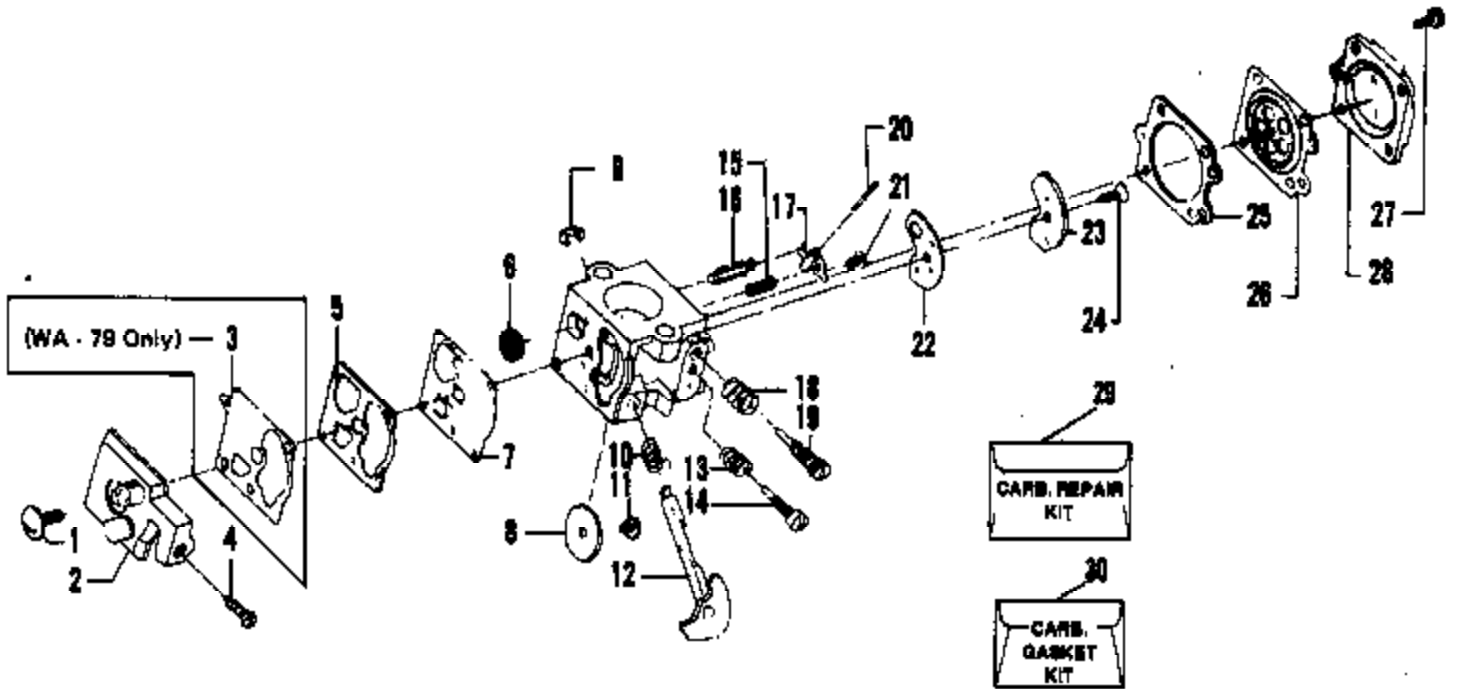


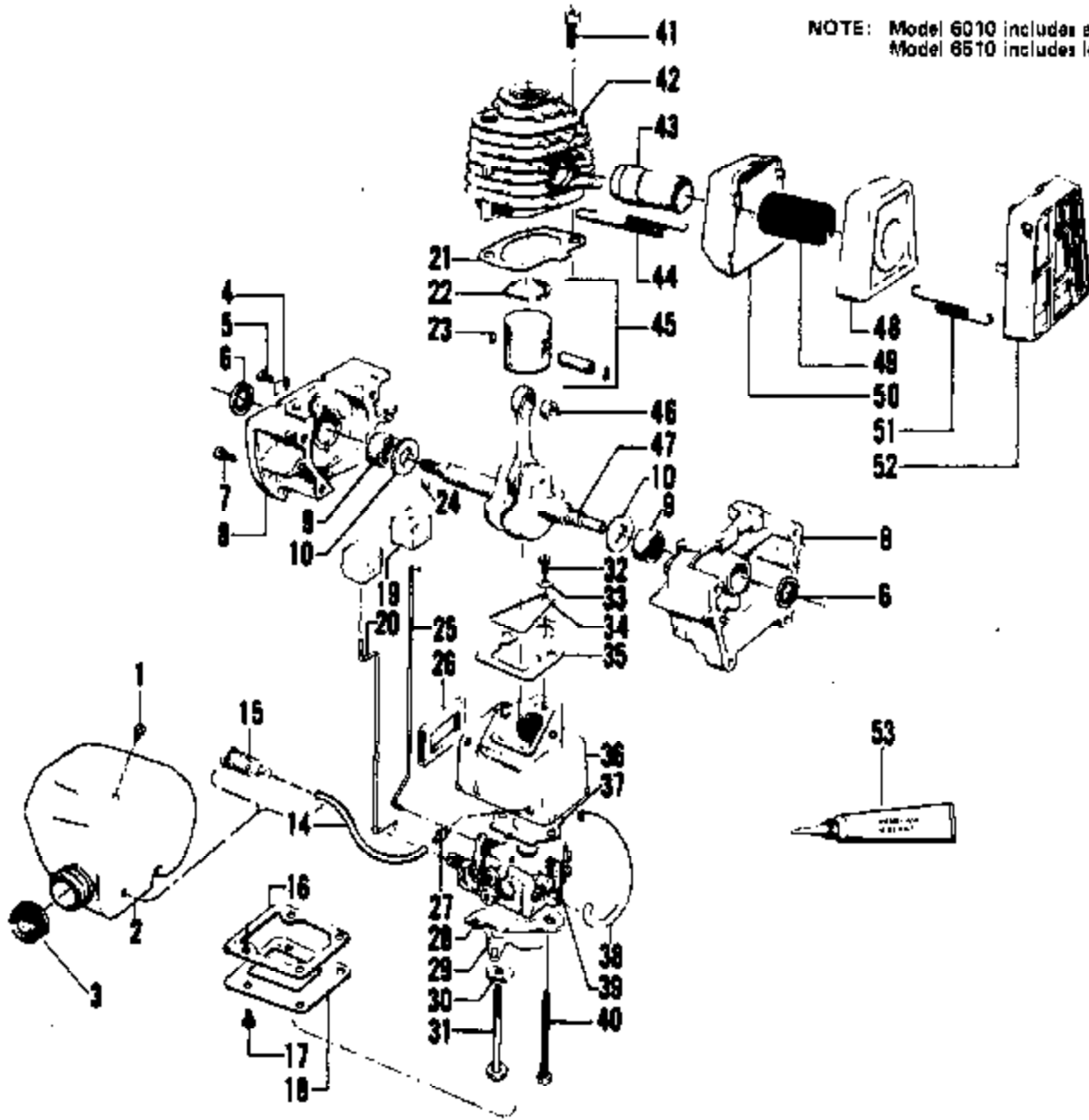
SEE SERVICE REFERENCE 2



Ref #	Part Number	Qty	Description
1	530035017	1	Screw - Pump Cover
2	530035154	1	Pump Cover Ass'y (Inc. # 4) WA-79
2	530035191	1	Pump Cover Ass'y (Inc. # 4) WA-149
3	530035135	1	Diaphragm - Pump (WA-79)
4	530035156	1	Screw - Idle Adjustment
5	530035009	1	Gasket - Pump WA-79
5	530035164	1	Gasket - Pump WA-149
6	530035178	1	Screen - Inlet
7	530035152	1	Diaphragm - Pump WA-79
7	530035166	1	Diaphragm - Pump WA-149
8	530035133	1	Valve - Throttle
9	530035007	1	Clip - Throttle Shaft
10	530035138	1	Spring - Throttle Return
11	530035015	1	Screw - Throttle Valve
12	530035132	1	Shaft Assembly - Throttle
13	530035023	1	Spring - Idle Needle
14	530035141	1	Needle - Idle
15	530035139	1	Spring - Metering Lever
16	530035008	1	Valve - Inlet Needle
17	530035031	1	Lever - Metering
18	530035036	1	Spring - Hi Speed Needle
19	530035142	1	Needle - Hi Speed
20	530035028	1	Pin - Metering Lever
21	530035016	1	Screw - Metering Lever Pin
22	530035147	1	Gasket - Circuit Plate
23	530035042	1	Plate - Circuit
24	530035137	1	Screw - Circuit Plate
25	530035151	1	Gasket - Metering Diaphragm
26	530035014	1	Diaphragm Assembly - Metering
27	530035153	4	Screw - Assembly - Metering Cover & Throttle Shaft Clip
28	530035149	1	Cover - Metering Diaphragm
29		1	Kit - Carb. Repair
	530035144	1	Kit - Carb. Repair WA-79
	530035185	1	Kit - Carb. Repair WA-149
30	530035145	1	Kit - Carb. Gasket/Diaphragm WA-79
30	530035186	1	Kit - Carb. Gasket/Diaphragm WA-149

6010 Gas Trimmer Page 2 of 8
CARBURETOR WA-149 WA

NOTE: Model 6010 includes engine and lower unit.
Model 6510 includes lower unit only.



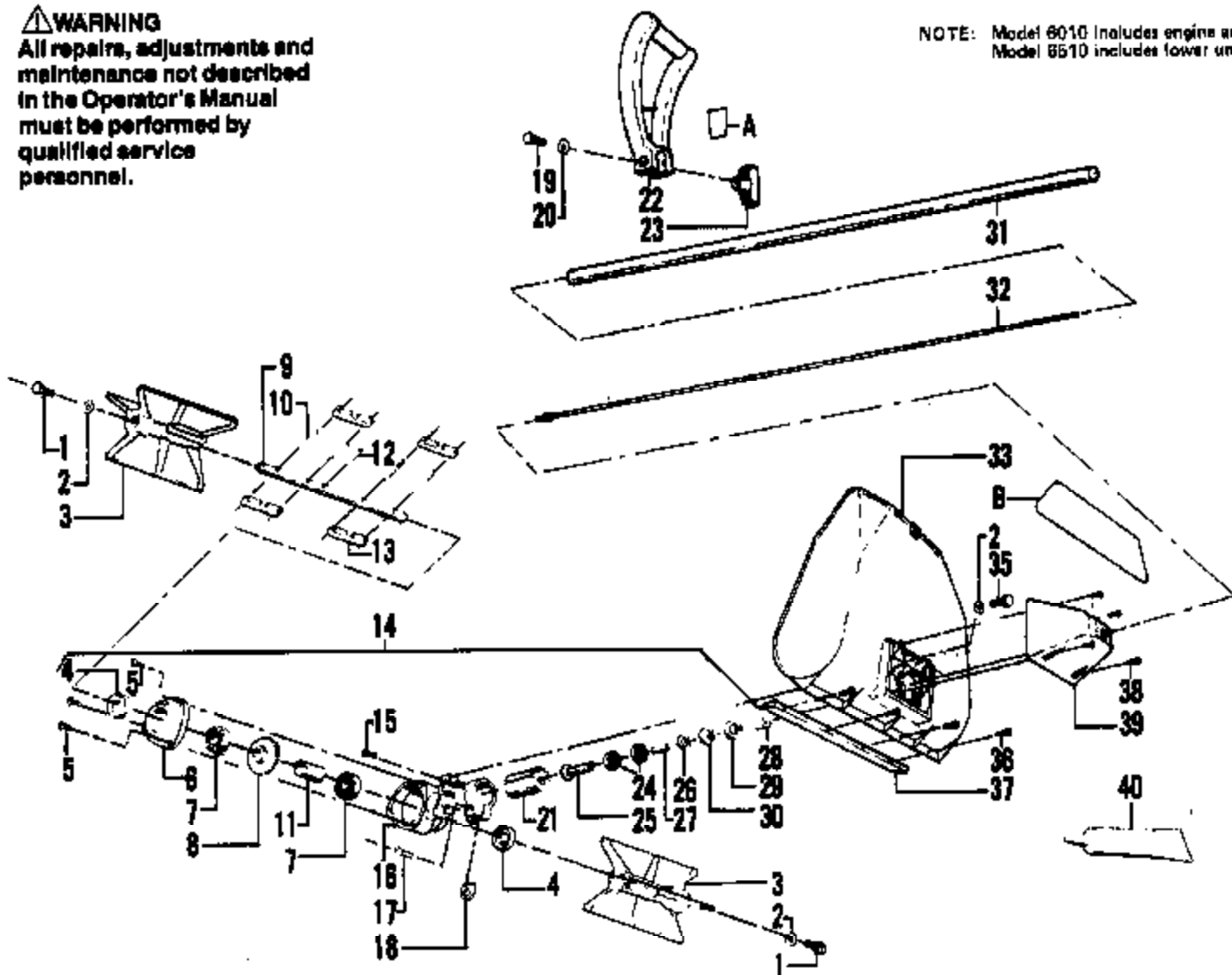
Ref #	Part Number	Qty	Description
1	530026119	1	Check Valve - Duck Bill
2	530010776	1	Fuel Tank Assembly (Inc. # 1, 3, 14 & 15)
3	530010729	1	Fuel Cap Assembly (Inc. O-Ring)
4	530024651	1	Clamp - Choke Wire
5	530015004	1	Screw - 8 - 32 x 5/16 - Choke Rod Clamp
6	530019059	2	Seal - Crankcase
7	530015168	4	Screw - Crankcase
8	530010316	1	Crankcase Assembly (Inc. # 6 & 9)
9	530032058	2	Bearing - Crankcase
10	530015351	2	Washer - Thrust - Crankshaft
14	530021042	1	Fuel Line
15	530091878	1	Fuel Pick-up Assembly
16	530019112	1	Gasket - Carburetor Case Cover
17	530015235	4	Screw - 8 - 18 x 9/16 - Pan Hd. - Carburetor Case Cover
18		1	Cover - Carburetor Case - See Service Ref. 4.
19	530023373	2	Boot - Throttle - Choke Wire
20		1	Choke Wire - See Service Ref. 4.
21	530019111	1	Gasket - Cylinder
22	530024929	1	Ring - Piston
23	530015162	2	Retainer - Wrist Pin
24	530015126	1	Key - Flywheel
25	530024902	1	Throttle Wire
26	530019105	1	Seal - Carburetor Case
27	530025472	1	Fuel Line Fitting
28		1	Choke Wire Guide Plate - See Service Ref. 4.
29	530024558	1	Choke Shutter
30	530015254	1	Washer - Wave
31	530015404	1	Screw - 10 - 24 x 2-1/8 - Fil. Hd. - Carburetor Shoulder
32	530015241	1	Screw - 6 - 19 x 5/16 - Pan Hd. - Reed Valve
33	530023367	1	Washer - Reed Valve Screw
34	530024438	1	Reed Valve
35	530019108	1	Gasket - Carburetor Case to Crankcase
36	530024409	1	Carburetor Housing
37	530019115	1	Gasket - Carburetor
38	530021043	1	Fuel Line - Carburetor
39	530035183	1	Carburetor - See Service Ref. 2.
40	530015379	1	Screw - 10 - 24 x 1-7/8 - Fil. Hd. - Carburetor
41	530015239	2	Screw - 1/4 - 20 x 3/4 - Hex Socket Hd. - Cylinder
42	530012071	1	Cylinder
43	530024363	1	Diffuser - Muffler
44	530024903	2	Spring - Muffler Attachment
45	530022238	1	Piston Assembly (Inc. # 22, 23 & Pin)
46	530032057	1	Bearing - Wrist Pin
47	530026675	1	Crankshaft & Rod Assembly
48	530024361	1	Cover - Muffler Cover - Muffler
49	530024364	1	Screen - Spark Arresting
50	530024362	1	Body - Muffler
51	530024932	2	Spring - Muffler Guard
52	530024855	1	Guard - Muffler
53	530030054		Sealant - Crankcase (Not Supplied With Unit)

6010 Gas Trimmer Page 4 of 8
ENGINE BLOCK

⚠ WARNING

All repairs, adjustments and maintenance not described in the Operator's Manual must be performed by qualified service personnel.

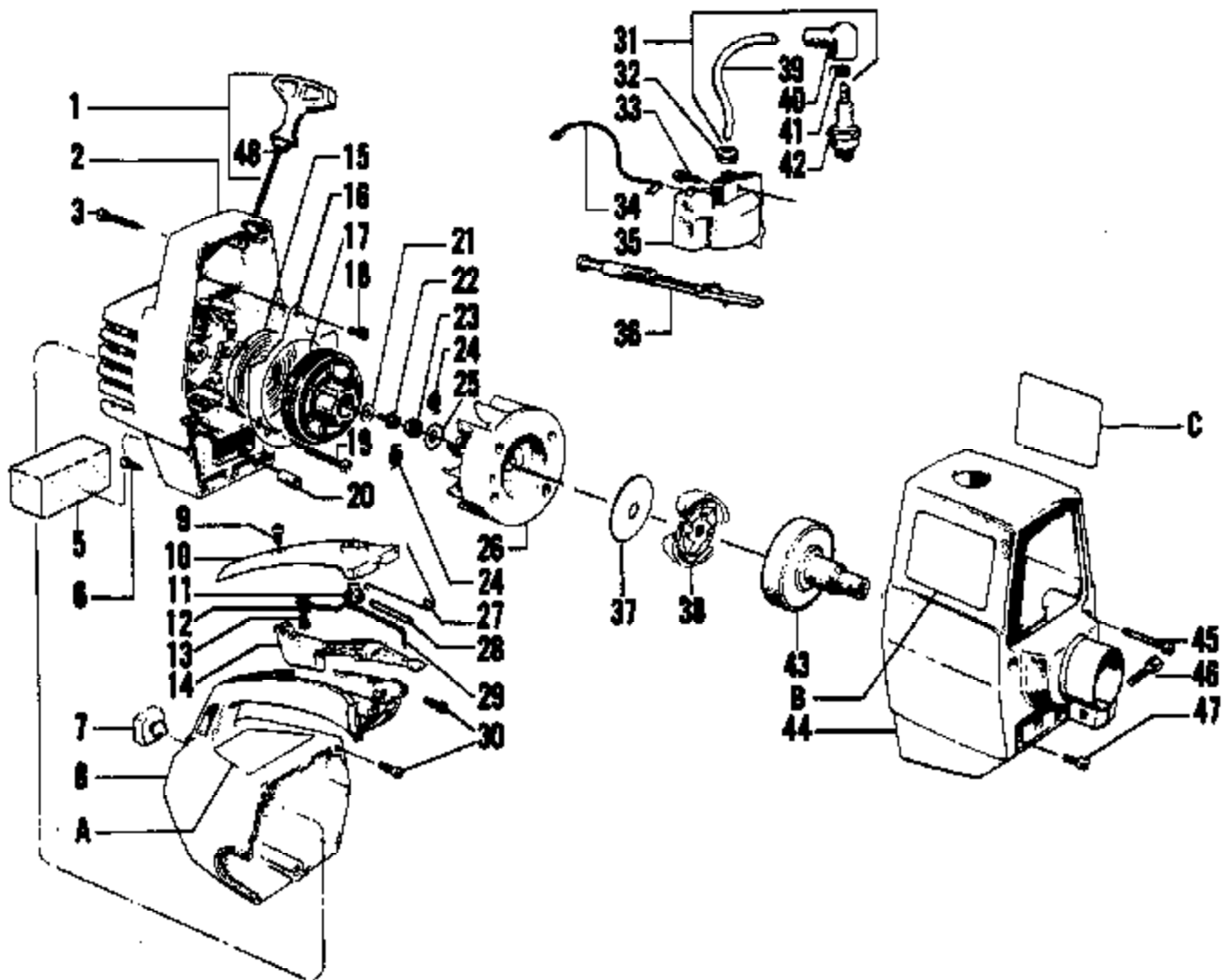
NOTE: Model 6010 includes engine and lower u
Model 6510 includes lower unit only.



Ref #	Part Number	Qty	Description
1	530015426	2	Screw - Impeller - 1/4 - 20 x 1/2 - Hex Cap
2	530001503	6	Washer - Impeller & Gear Box Mtg.
3	530093883	2	Impeller
4	530093119	2	Oil Seal - Double Lip
5	530093865	3	Screw - Gear Housing
6	530093864	1	Gear Housing Cover
7	530093118	2	Bearing - Shaft
8	530093867	1	Gear - Spiral Bevel
9	530093117	1	Output Shaft
10	530093034	4	Pin - Spiral - Brace
11	530093807	1	Collar - Shaft
12	501093124	1	Pin Spiral - Gear
	530093124	1	Pin Spiral - Gear
13	530093036	4	Brace - Impeller
14	530093861	1	Gear Box Ass'y (Inc. #4 - 8, 11, 15 - 18 & 21 - 30)
15	530015216	1	Screw - Index 10 - 24 x 7/16 Pan Hd.
16	530093866	1	Gear Housing
17	530015239	1	Screw - Pinch Clamp - 1/4 - 20 x 3/4 - Hex Socket Head
18	530092308	1	Washer - Fiber Filler
19	530092061	1	Screw - Assist Handle
20	530092062	1	Washer - Assist Handle
21	530093863	1	Sleeve - Housing
22	530093729	1	Assist Handle
23	530092059	1	Knob - Assist Handle
24	530010722	2	Bearing - Pinion
25	530093868	1	Pinion Gear - Spiral Bevel
26	530091573	1	Retaining Ring - Pinion
27	530093128	1	Collar Pinion
28	530093875	1	Plug - Grease It is recommended that Grease Plug 193875 be serviced only by an authorized service dealer.
29	530093129	1	Oil Seal - Single Lip
30	530091574	1	Retaining Ring - Bearing
31	530093135	1	Drive Shaft Housing (Inc. #32)
32	530092317	1	Drive Shaft
33	530010726	1	Housing - Impeller
35	530015459	4	Screw - Gear Box Mounting
36	530015451	4	Screw - Scraper Bar - 8 - 12 x 3/4 - Fil. Hd.
37	530093029	1	Scraper Bar
38	530015451	4	Screw - Rear Cover - 8 - 12 x 3/4 - Fil. Hd.
39	530092563	1	Cover - Rear
40	530030102	1	Grease - Optional
A	530026225		Decal - Handle Not Shown.
B	530025998	1	Decal - Caution and Model
	530093031		Drive Shaft and Housing Assembly with Bearings
	530060616	1	Carton Model 6510 (Not a serviceable part)
	530066230	1	Operator's Manual Model 6010
	530066043	1	Operator's Manual Model 6510

6010 Gas Trimmer Page 6 of 8
SHOVEL ASSEMBLY

NOTE: Model 6010 includes engine and lower unit.
Model 6510 includes lower unit only.



Ref #	Part Number	Qty	Description
1		1	Ass'y - Rope & Handle Starter - See Service Ref. 3.
2	530069178	1	Fan Housing Kit (Inc. 16, 18, 19, 20, 28)
3	530015583	2	Screw - 10 - 24 x 1-1/2 - Sems - Fan Housing - Top
5	530024371	1	Air Filter
6	530015582	2	Screw - 10 - 24 x 5/8 - Sems - Fan Housing - Bottom
7	530024436	1	Bumper - Fuel Tank Housing
8	530024656	1	Handle & Fuel Tank Housing
9	530015247	1	Screw - 8 - 16 x 3/4 - Pan Hd. - Handle Cover
10	530024661	1	Handle Cover
11	530026679	1	Button - Kill Switch
12	530015412	1	Washer - Kill Switch
13	530015407	1	Screw - 8 - 16 x 3/8 - Pan. Hd. - Kill Switch
14	530024365	1	Trigger - Ignition
15		1	6010 Gas Trimmer Page 8 of 8 STARTER, Trigger & SHROUD Starter Recoil Spring - See Service Ref. 3.
16	530026035	1	Air Baffle - See Service Ref. 6.
17		1	Starter Pulley - See Service Ref. 3.
18	530015544	2	Screw - # 10 x 3/8 - Pan Hd. - Air Baffle - See Service Ref. 6.
19	530015563	1	Screw - 10 - 24 x 1-3/16 - Plastite - See Service Ref. 6.
20	530026122	1	Spacer
21	530015123	1	Washer - Starter Pulley
22	530015479	1	Screw - # 10 - 3/4 - Hex Washer Hd. - Starter Pulley
23	530626605	1	Nut - Flywheel - 5/16 - 24
24	530042059	2	Spring - Starter Dog
25	530015127	1	Washer - Flywheel
26	530039114	1	Flywheel Assembly (Inc. # 24)
27	530024461	1	Trigger - Spring
28	530021036	1	Insulation - Switch Spring
29	530024407	1	Spring - Kill Switch
30	530015367	5	Screw - 10 - 14 x 3/4 - Pan Hd. - Fan Hsg. to Handle and Fuel Tank
31	502039103		REP BY 502271102
	530039103	1	HIGH TENSION LEAD Z
32	530024435	1	Grommet - Plug Wire
33	530015128	2	Screw - 8 - 32 x 3/4 - Fil. Hd. - Ignition Module
34	530024158	1	Lead Wire Switch
35	530069181	1	Kit - Ignition - Module
36	530024303	1	Knob - Choke
37	530069196	1	Kit - Clutch Washer - See Service Ref. 5
38		1	Kit - Clutch Ass'y. - See Service Ref. 1 & 5 (Inc. Clutch Washer)
39	530039082	1	High Tension Lead Wire
40	530003934	1	Boot - Spark Plug
41	530003933	1	Connector - Spark Plug Lead
42	530030077	1	Spark Plug
43	530010797	1	Coupling and Bearing Assembly
44	530011778	1	Shroud
45	530015376	2	Screw - 10 - 24 x 1-1/3 - Fil. Hd. - Shroud (Top)
46	530093802	1	Bolt - #1/4 - 20 x 1" Pinch Clamp
47	530015168	2	Screw - 10 - 24 x 5/8 - Fil. Hd. - Shroud (Bottom)
48	530022290	1	Rope (3.5 Ft.)
A	530026442	1	Decal - Starting Instructions
B	530026039	1	Decal - Shroud (Right)
C	530026038	1	Decal - Shroud (Left)