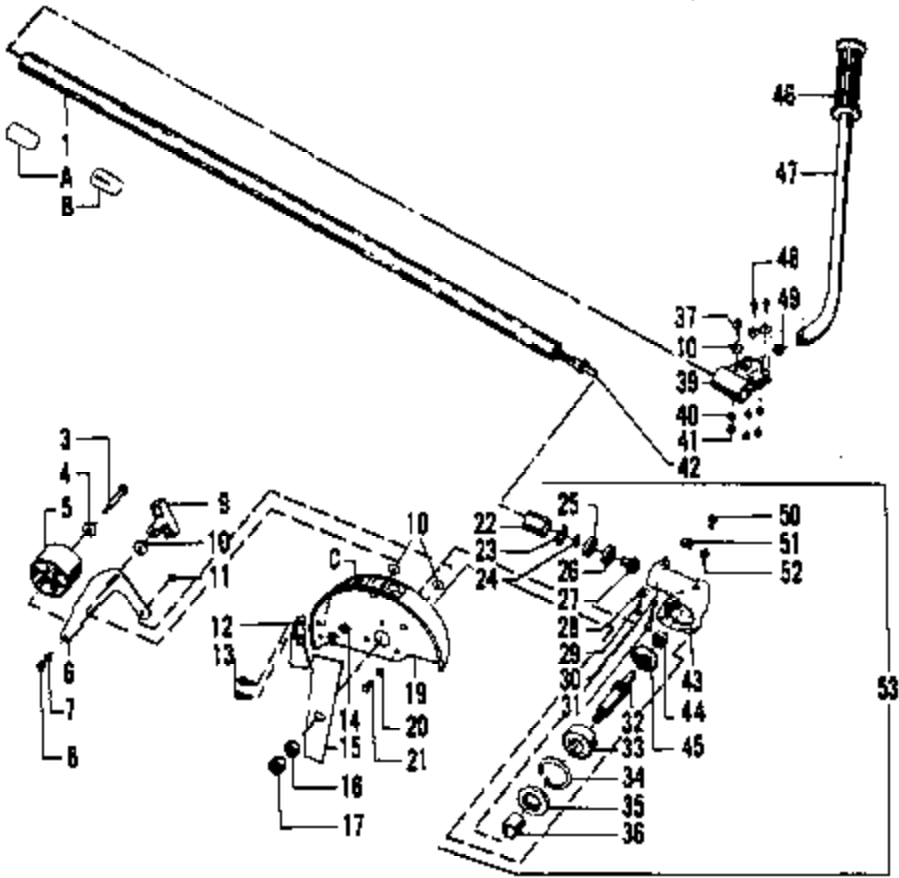


Ref #	Part Number	Qty	Description
1	530035017	1	Screw - Pump Cover
2		1	Pump Cover Ass'y (Incl. #4)
2	530035154		WA-79
2	530035191		WA-149 (#35183)
3	530035135	1	Diaphragm - Pump WA-79 Only
4	530035156	1	Screw - Idle Adjustment
5		1	Gasket - Pump
5	530035009		WA-79
5	530035164		WA-149 (#35183)
6	530035178	1	Screen - Inlet Contents indicated by an "0" on Illustration
7		1	Diaphragm - Pump
7	530035152		WA-79
7	530035166		WA-149 (#35183)
8	530035133	1	Valve Throttle
9	530035007	1	Clip - Throttle Shaft
10	530035138	1	Spring - Throttle Return
11	530035015	1	Screw - Throttle Valve Contents indicated by an "0" on Illustration
12	530035132	1	Shaft Assembly - Throttle
13	530035023	1	Spring - Idle Needle
14	530035141	1	Needle - Idle
15	530035139	1	Spring - Metering Lever Contents indicated by an "0" on Illustration
16	530035106	1	Valve - Inlet Needle Contents indicated by an "0" on Illustration
17	530035031	1	Lever - Metering Contents indicated by an "0" on Illustration
18	530035036	1	Spring - Hi Speed Needle
19	530035142	1	Needle - Hi Speed
20	530035028	1	Pin - Metering Lever Contents indicated by an "0" on Illustration
21	530035016	1	Screw - Metering Lever Pin
22	530035147	1	Gasket - Circuit Plate
23	530035042	1	Plate - Circuit
24	530035137	1	Screw - Circuit Plate Contents indicated by an "0" on Illustration
25	530035151	1	Gasket - Metering Diaphragm
26	530035014	1	Diaphragm Assembly - Metering
27	530035153	4	Screw - Assembly - Metering Cover & Throttle Shaft Clip
28	530035149	1	Cover - Metering Diaphragm
29		1	Kit - Carb. Kwik Repair
29	530035144		WA-79
29	530035185		WA-149 (#35183)
30		1	Kit - Carb. Gasket/Diaphragm
30	530035145		WA-79
30	530035186		WA-149 (#35183)

4500 Gas Trim Page 2 of 11
 WA-79 (#35183)
 CARBURETORS WA-79 & V

TYPE 1 & 2



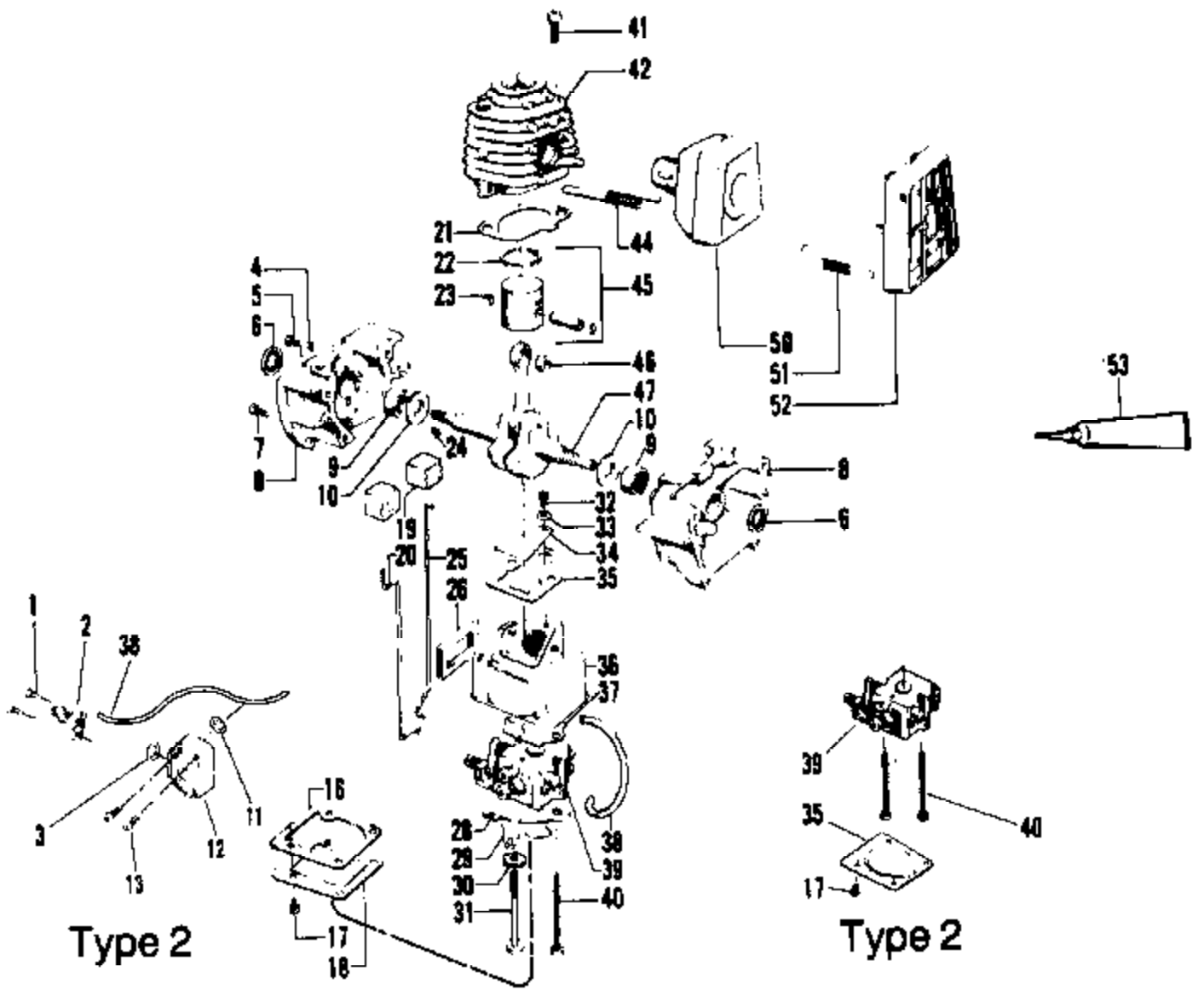
WARNING: ALL REPAIRS, ADJUSTMENTS AND MAINTENANCE NOT DESCRIBED IN THE OPERATOR'S MANUAL MUST BE PERFORMED BY QUALIFIED SERVICE PERSONNEL.

Ref #	Part Number	Qty	Description
1	530093797	1	Drive Shaft Housing Assembly
3	530092327	1	Shoulder Bolt - Wheel - #5/16 - 18 x 5/64"
4	530001576	1	Washer - Wheel
5	530092324	1	Wheel - Depth Adjusting
6	530092348	1	Bracket - Wheel
7	530001717	1	Lockwasher - Wheel to Bracket
8	530015303	1	Nut - Bracket to Guard - #5/16 - 18"- Hex
9	530092059	1	Knob - Wheel
10	530015149	6	Washer - #1/4 - Flat
11	530015515	1	Locknut - Bracket to Guard - #1/4 - 20"
12	530093174	1	Edge Guide
13	530015216	2	Screw - Edge Guide - #10 - 24 x 7/16"
14	530015653	2	Nut - Edge Guide - #10 - 24" - Locknut
15	530092343	1	Blade
16	530093819	1	Lockwasher - Blade Mounting
17	530093818	1	Nut - #7/16 - 14" - Blade Mounting
19	530010725	1	Guard Assembly
20	530092227	3	Lockwasher - Guard to Gear Housing
21	530015426	3	Screw - Guard to Gear Housing - #1/4 - 20 x 1/2"
22	530092339	2	Sleeve - Drive Shaft Tube
23	530091574	1	Retaining Ring
24	530092326	1	Retaining Ring - Pinion
25	530091575	1	Bearing - Sealed
26	530092329	1	Bearing - Open
27	530092325	1	Gear - Pinion
28	530091615	1	Lockwasher - Index Screw
29	530092354	1	Screw - Index - #10 - 24 x 1/2"
30	530092278	1	Lockwasher - Pinch Clamp
31	530092353	1	Screw - Pinch Clamp - #1/4 - 20 x 1-3/16"
32	530092333	1	Shaft - Output
33	530092335	1	Bearing - Large
34	530092336	1	Retaining Ring
35	530092337	1	Seal - Oil
36	530092338	1	Collar - Shaft
37	530015117	1	Screw - Clamp - #1/4 - 20 x 5/8"
39	530092383	1	Clamp - Handlebar
40	530001642	3	Lockwasher - Clamp
41	530015197	3	Nut - Handlebar - #1/4 - 20 - Hex
42	530092554	1	Drive Shaft Assembly
43	530092332	1	Gear Housing
44	530092331	1	Bearing - Small
45	530092334	1	Gear
46	530091402	1	Grip - Handlebar
47	530092555	1	Handlebar
48	530625509	2	Screw - #1/4 - 20 x 1" - Handlebar
49	530092559	1	Spacer - Handlebar
50	530092352	1	Screw - Lubrication Filler - #5/16 - 18 x 3/8"
51	530092308	1	Spacer - Fiber - Pinch Clamp
52	530092556	1	Washer - Fiber
53	530092265	1	Gear Housing Assembly (Incl. #'s 22 - 36, 43, 44, 45 & 50 - 52)
A	530025266	1	Decal - Product
B	530026233	1	Decal - Handlebar Location
C	530025264	1	Decal - Guard
	530092192	2	Cap - Drive Shaft Housing

4500 Gas Trimmer Page 4 of 11
 EDGER & DRIVE SHAFT AS

Ref #	Part Number	Qty	Description
	530060803	1	Carton Model 4000
	530060654	1	Carton Model 4500 (Not a serviceable part)
		1	Operator's Manual , Model 4000 Not Shown.
	530066228		Type 1
	530066547		Type 2
	530064544		Model 4500

4500 Gas Trimmer Page 5 of 11
 EDGER & DRIVE SHAFT AS

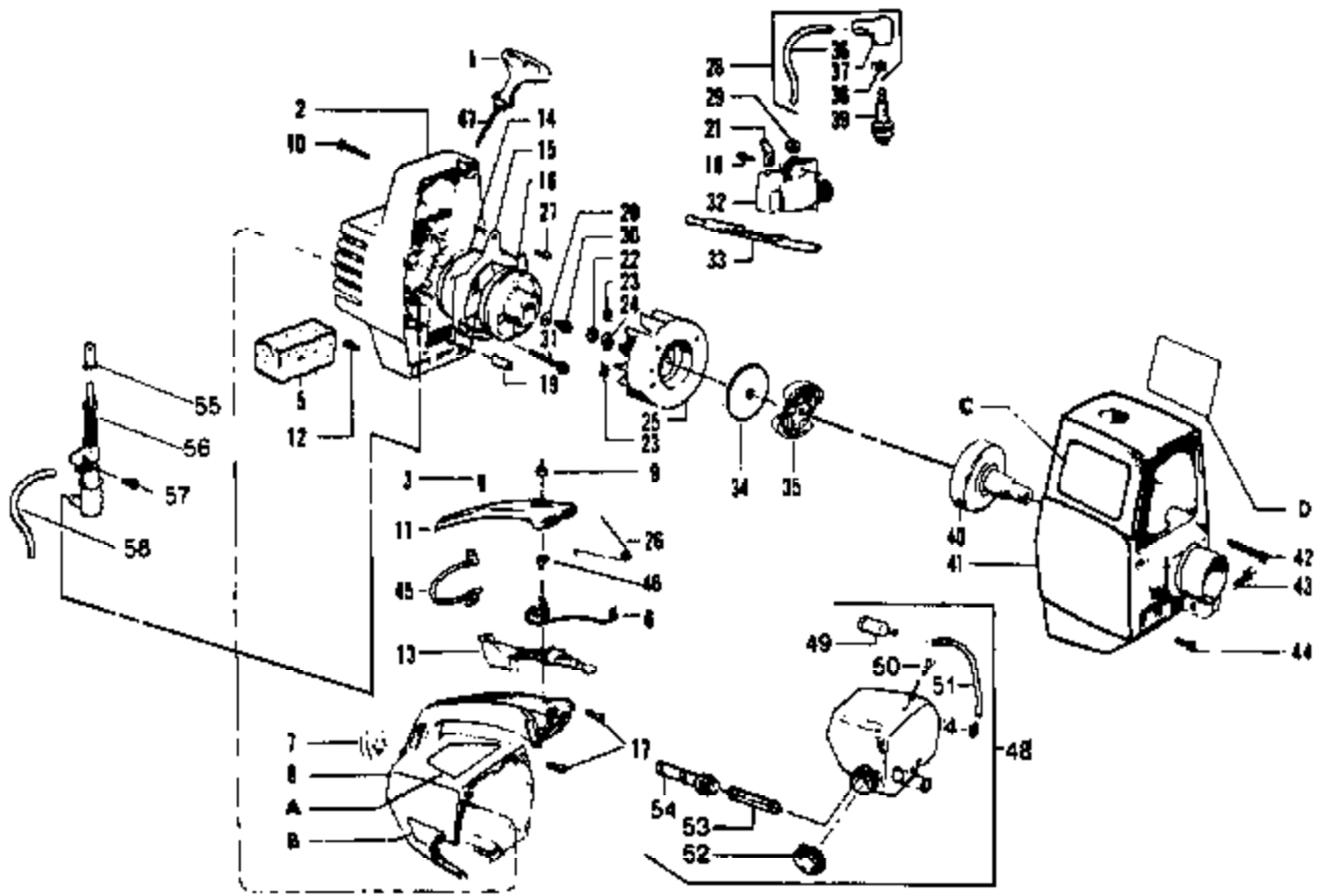


Ref #	Part Number	Qty	Description
1	530015235	2	Screw - Type 2 only
2	530010677	1	Accumulator Cap Ass'y. - Type 2 only (Incl. Cap, Screen & O-Ring)
3	530019128	1	O-Ring - Accumulator Chamber Type 2 only
4	530024651	1	Choke Wire - Clamp - Type 1 only
5	530015004	1	Choke Rod Clamp - Screw - #8 - 32 x 5/16" - Pan Hd. - Type 1 only
6	530019059	2	Crankcase - Seal
7	530015369	4	Screw - Crankcase #10 - 24 x 5/8" - Fil. Hd.
8	530010757	1	Crankcase Assembly (Incl. #6, 9 & Qty. 4 of #7)
9	530032029	2	Bearing - Crankshaft
10	530015351	2	Crankshaft Thrust - Washer
11	530019131	1	O-Ring (Orifice) - Type 2 only
12	530010651	1	Accumulator Ass'y. (Incl. #2, 3 & 11) Type 2 only
13	530015565	2	Screw - Type 2 only
16	530019112	1	Carburetor Case Cover - Gasket - Type 1 only
17	530015235	4	Carburetor Case Cover - Screw #8 - 18 x 9/16" - Pan Hd.
18		1	Carburetor Case - Cover - See Service Ref. 4.
19	530023373		Throttle Choke Wire Boot
19		2	Type 1
19		1	Type 2
20		1	Choke Wire - See Service Ref. 4. - Type 1 only
21	530019111	1	Cylinder - Gasket
22	530024302	1	Piston Ring
23	530015162	2	Wrist Pin - Retainer
24	530015126	1	Flywheel - Key
25		1	Throttle Wire
25	530024902		Type 1
25	530026177		Type 2
26	530019105	1	Carburetor Case - Seal
28		1	Choke Wire Guide Plate - See Service Ref. 4.
29	530024558	1	Choke Shutter - Type 1 only
30	530015254	1	Wave Washer - #10 - Type 1 only
31	530015404	1	Carburetor Shoulder - Screw - Type 1 only #10 - 24 x 2-1/8" - Fil. Hd.
32	530015241	1	Reed Valve - Screw - #6 - 19 x 5/16"
33	530023367	1	Washer - #6
34	530024438	1	Reed Valve
35	530019108	1	Carburetor Case to Crankcase - Gasket
36		1	Carburetor Housing
36	530024409		Type 1
36	530026046		Type 2
37	530019115	1	Carburetor Gasket
38		1	Carburetor Fuel Line
38	530021043		Type 1
38	530021055		Type 2
39	530035183	1	Carburetor - See Service Ref. 2.
40	530015379	1	Type 1
40	530015566	2	Type 2
41	530015239	2	Cylinder - Screw - #1/4 - 20 x 3/4" - Socket Head
42	530012190	1	Cylinder
44	530024903	2	Muffler Attachment - Spring
45	530022198	1	Piston Kit
46	530032057	1	Wrist Pin Bearing

4500 Gas Trim Page 7 of 11
POWER UNIT

Ref #	Part Number	Qty	Description
47	530026675	1	Crankshaft & Rod Assembly
51	530024932	2	Spring - Muffler Guard
52	530024855	1	Muffler - Guard
53	530030054	1	Crankcase - Sealant (Optional)

4500 Gas Trimmer Page 8 of 11
POWER UNIT



Ref #	Part Number	Qty	Description
1	530026735	1	Starter Handle
2	530069178	1	Fan Housing Kit (Incl. #15, 19, 27 & 31) -See Service Ref. 6.
3	530015247	1	Screw - Handle Cover - #8 - 16 x 3/4" - Pan Head
4	530025472	1	Fuel Line Fitting - Type 1 Only
5	530024371	1	Air Filter
6	530069182	1	Grounding Switch Kit (Incl. #9, 21, 45 & 46)
7	530024436	1	Fuel Tank Housing - Bumper
8	530024656	1	Handle & Fuel Tank Housing
9	530023575	1	Grounding Switch - Nut
10		2	Fan Housing Top - Screw - #10 - 24 x 1-1/2" - Sems. See Service Ref. 6.
11	530024665	1	Handle Cover
12		2	Fan Housing Bottom - Screw - #10 - 24 x 5/8" - Sems. See Service Ref. 6.
13	530024365	1	Trigger - Throttle
14		1	Starter Recoil Spring - Type 1 - See Service Ref. 3.
14	530042067		Type 2
15	530026035	1	Air Baffle - (Incl. #20)
16		1	Starter Pulley - See Service Ref. 3.
17	530015367	5	Fan Housing to Handle & Fuel Tank - Screw - #10 - 14 x 3/4" - Pan Head
18	530015128	2	Ignition Module - Screw - #8 - 32 x 3/4" - Fil. Hd.
19	530026122	1	Spacer - Type 1 only
20	530015123	1	#10 Starter Pulley - Washer
21	530025995	1	Electrical Tab 45ø
22	530626605	1	Flywheel - Nut - #5/16 - 24" - Hex
23	530042059	2	Starter Dog - Spring
24	530015127	1	Flywheel - Washer
25	530039114	1	Flywheel Assembly (Incl. #23)
26	530024461	1	Trigger Spring
27		2	Air Baffle - Screw - #10 - 24 x 3/8" - Pan Hd. - See Service Ref. 6.
28	502039103		REP BY 502271102
	530039103	1	HIGH TENSION LEAD Z
29	530024435	1	Plug Wire - Grommet
30		1	Starter Pulley - Screw - #10 - 3/4" - Hex Washer Head - See Service Ref. 6.
31		1	Air Baffle - Screw - #10 - 24 x 1-3/16" - Plastite - Type 1 See Service Ref. 6.
32	530069181	1	Ignition Module Kit
33	530024303	1	Choke Knob - Type 1 only
34	530069196	1	Clutch Washer - Kit
35	530069194	1	Clutch Assembly - Kit (Incl. Clutch Washer) See Service Ref. 1 & 5.
36	530039082	1	High Tension - Lead Wire
37	530003934	1	Spark Plug - Boot
38	530003933	1	Spark Plug Lead - Connector
39	530030077	1	Spark Plug (Champion CJ-14)
40	530010797	1	Clutch & Drive Adaptor - Drum
41	530011778	1	Shroud
42	530015376	2	Shroud - Screw Top - #10 - 24 x 1-1/3" - Fil. Head
43	530093802	1	Pinch Clamp - Bolt - #1/4 - 20 x 1" - Hex Cap

Ref #	Part Number	Qty	Description
44	530015168	2	Shroud - Screw Bottom - #10 - 24 x 5/8" - Fil. Head
45	530039122	1	Grounding Switch - Lead Wire
46		1	Grounding Switch Washer
46	530024569		Type 1
46	530015412		Type 2
47	530069232	1	Rope Kit
48		1	Fuel Tank Ass'y.
48	530010776		Type 1
48	530010773		Type 2
49	530091878	1	Fuel Pick-up Ass'y.
50	530026119		Duck Bill Valve
51		1	Fuel Line
51	530021042	4500	Gas Trimmer
51	530021054		STARTER & SHROUD
52	530010729	1	Fuel Cap Ass'y.
53	530021052	1	Fuel Inlet Line
54	530026109	1	Fuel Filter (Inlet Line)
55	530026032	1	Injector Button
56	530010738	1	Pump Ass'y. (Incl. #58)
57	530015563	1	Screw
58	530021053	1	Pump to Accumulator Line
A		1	Starting Instruction Decal
A	530026511		Type 1
A	530026145		Type 2
B	530025303	1	Decal - Warning - Fuel Cap
C	530025269	1	Decal - Shroud (Right) (Not a serviceable part)
D	530025271	1	Decal - Shroud (Left) (Not a serviceable part)