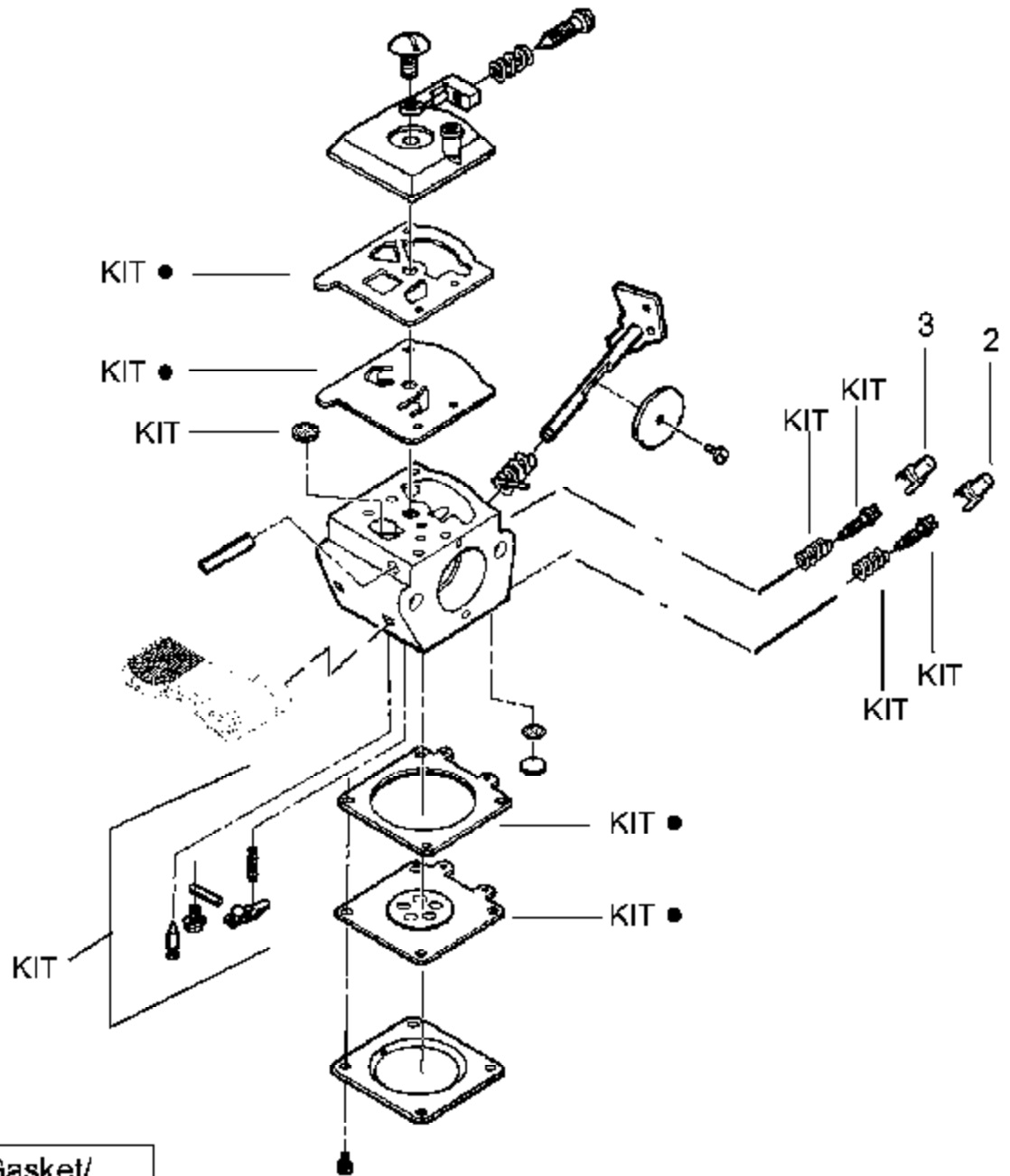


# Kit - Carburetor Assembly No. 530071565 - WT619



Carb.  
Repair  
Kit

1

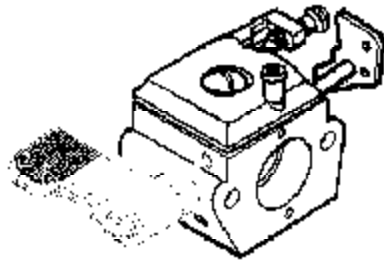
Gasket/  
Diaphragm  
Kit

4

| Ref #     | Part Number | Qty | Description                                     |
|-----------|-------------|-----|---|
| 1         | 530069824   |     | Carburetor Repair Kit (KIT= Indicates Contents) |
| 2         | 530038478   |     | Limiter Cap-Low (tan)                           |
| 3         | 530038479   |     | Limiter Cap-High (brown)                        |
| 4         | 530069844   |     | Gasket/Diaphragm Kit (DOT= Indicates Contents)  |
| 530071565 | 530071565   |     | Carburetor Assembly (WT619)                     |

31WG Gas Trimmer Page 2 of 9  
 Carburetor Assembly (WT619)

**Kit - Carburetor Assembly No. 530071636 - WT627**



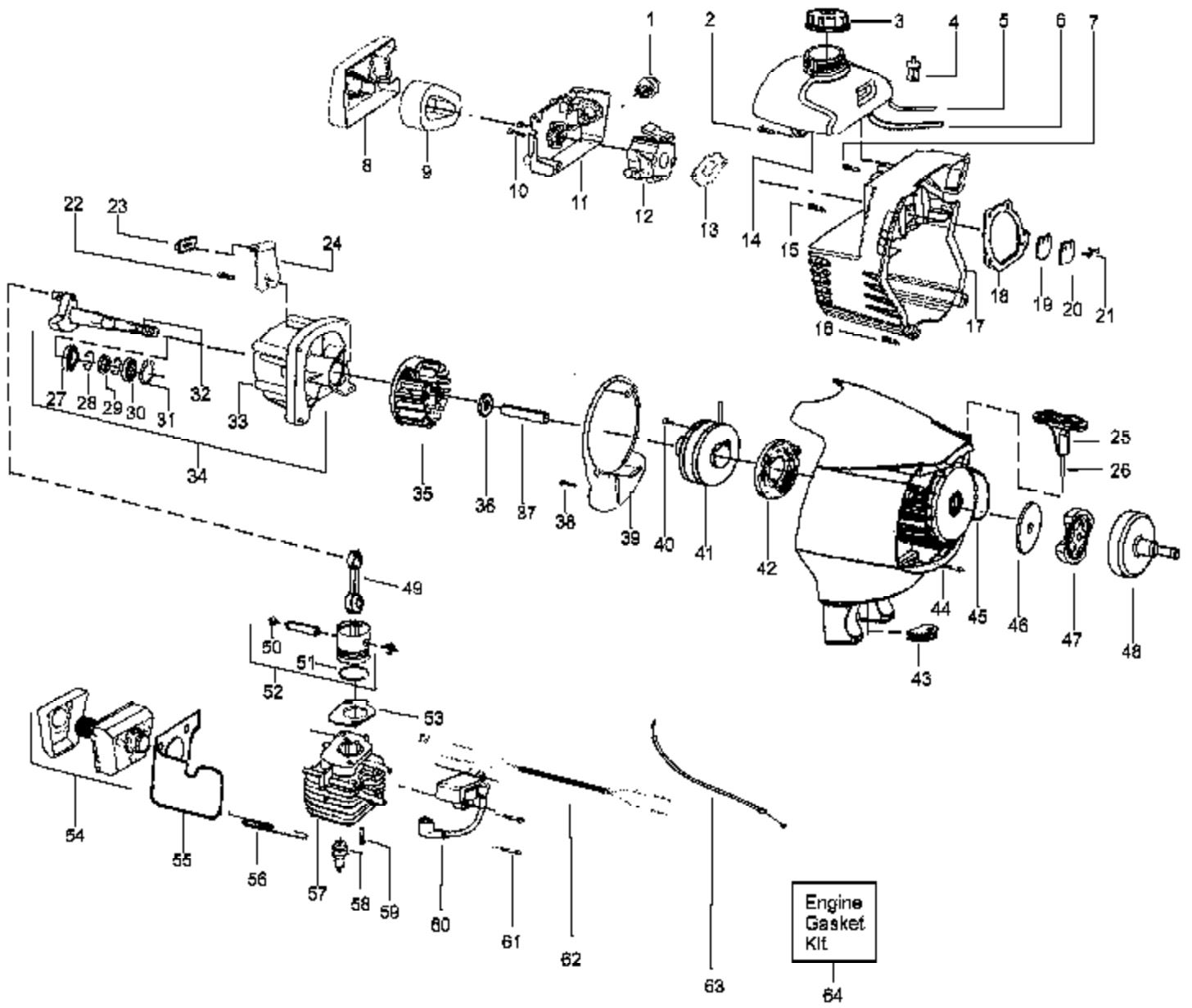
Note: No Repair kits are available for this carburetor, please order the complete assembly part number 530-071636 - WT 627

---

| Ref #     | Part Number | Qty | Description                         |
|-----------|-------------|-----|-------------------------------------|
| 530071636 | 530071636   |     | Kit - Carburetor Assembly No. WT627 |

---

31WG Gas Trimmer Page 4 of 9  
Carvuretor Assembly (WT627)

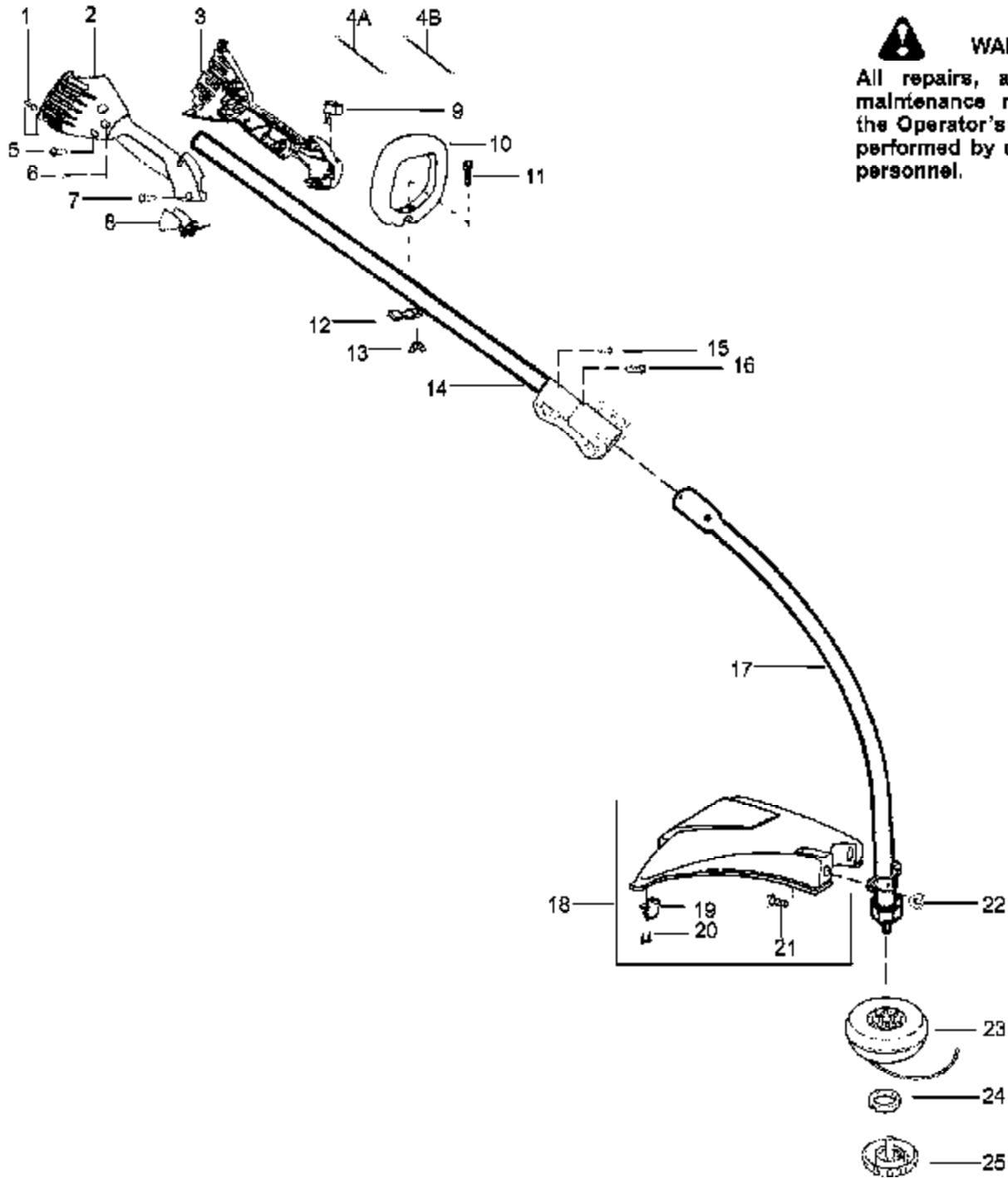


| Ref # | Part Number | Qty | Description                             |
|-------|-------------|-----|---|
| 1     | 530047721   |     | Bulb-purge                              |
| 2     | 530015843   |     | Screw-tank                              |
| 3     | 530049386   |     | Assy-Fuel cap                           |
| 4     | 530095646   |     | Assy-Fuel pick-up                       |
| 5     | 530071404   |     | Kit-Fuel line                           |
| 6     | 530069216   |     | Kit-Fuel/Purge line                     |
| 7     | 530015775   |     | Screw                                   |
| 8     | 530054935   |     | Cover-Air box                           |
| 9     | 530054946   |     | Filter-Air                              |
| 10    | 530015849   |     | Screw-carb.                             |
| 11    | 530054934   |     | Air Box                                 |
| 12    | 530071656   |     | Kit-Carb Assy. (WT-619)                 |
| 12    | 530071636   |     | Kit-Carb Assy. (WT-627)                 |
| 13    | 530071401   |     | Gasket-Carb. (kit)                      |
| 14    | 530055317   |     | Assy-Fuel tank                          |
| 15    | 530015771   |     | Screw-crankcase                         |
| 16    | 530015952   |     | Screw-shrd to f/hsg.                    |
| 17    | 530056044   |     | Shroud                                  |
| 18    | 530071401   |     | Gasket-c/case (kit)                     |
| 19    | 530027593   |     | Valve-reed                              |
| 20    | 530054596   |     | Stop-reed valve                         |
| 21    | 530016064   |     | Screw-reed valve                        |
| 22    | 530015875   |     | Screw-tank retainer                     |
| 23    | 530055492   |     | Isolator-fuel tank                      |
| 24    | 530054941   |     | Ret.-fuel tank                          |
| 25    | 530054834   |     | Handle-starter                          |
| 26    | 530071400   |     | Kit-Rope                                |
| 27    | 530032103   |     | Bearing-inner                           |
| 28    | 530015787   |     | Retainer                                |
| 29    | 530019158   |     | Seal                                    |
| 30    | 530032102   |     | Bearing-outer                           |
| 31    | 530015789   |     | Retainer-crankshaft                     |
| 32    | 530054948   |     | Assy-crankshaft                         |
| 33    | 530014016   |     | Assy-crankcase                          |
| 34    | 530055372   |     | Assy-c'case/c'shaft (incl. 27-31,32,33) |
| 35    | 530071402   |     | Kit-Flywheel Assy.                      |
| 36    | 530016030   |     | Washer                                  |
| 37    | 530055620   |     | Spacer                                  |
| 38    | 530015775   |     | Screw-baffle                            |
| 39    | 530056864   |     | Plate-baffle                            |
| 40    | 530016326   |     | Screw-rope                              |
| 41    | 530071399   |     | Kit-pulley (incl. #40)                  |
| 42    | 530042086   |     | Spring-starter                          |
| 43    | 530019182   |     | Grommet                                 |
| 44    | 530015810   |     | Screw-F/hsg                             |
| 45    | 530056226   |     | Housing-Fan w/eyelet                    |
| 46    | 530094189   |     | Washer-Clutch                           |
| 47    | 530055122   |     | Assy.-Clutch                            |
| 48    | 530028799   |     | Assy-Drum                               |
| 49    | 530010960   |     | Assy-Connecting rod                     |
| 50    | 530015162   |     | Retainer-piston pin                     |
| 51    | 530025875   |     | Ring-Piston                             |
| 52    | 530069899   |     | Kit-Piston                              |
| 53    | 530071401   |     | Gasket-Cylinder (kit)                   |
| 54    | 530069310   |     | Kit-Muffler                             |
| 55    | 530053346   |     | Heat shield/air dam                     |

31WG Gas Trim Page 6 of 9  
 Engine Assembly

| Ref # | Part Number | Qty | Description         |
|-------|-------------|-----|---------------------|
| 56    | 530036409   |     | Spring-muffler      |
| 57    | 530071582   |     | Kit-Cylinder        |
| 58    | 952030249   |     | Spark plug (RCJ-6Y) |
| 59    | 530001624   |     | Bolt-Cylinder       |
| 60    | 530039218   |     | Module-Ignition     |
| 61    | 530016357   |     | Screw-module        |
| 62    | 530057238   |     | Assy-Rear wire      |
| 63    | 530054942   |     | Assy-Throttle Cable |
| 64    | 530071401   |     | Kit-Gasket          |

31WG Gas Trimmer Page 7 of 9  
Engine Assembly



**WARNING**

All repairs, adjustments and maintenance not described in the Operator's Manual must be performed by qualified service personnel.

| Ref # | Part Number | Qty                        | Description                                   |
|-------|-------------|----------------------------|---|
| 1     | 530015886   |                            | Screw-handle/fan hsg                          |
| 2     | 530054837   |                            | Throttle Hsg. (Right)                         |
| 3     | 530071553   |                            | Kit-Left Throttle Hsg.                        |
| 4A    | 530054943   |                            | Assy-Front Wire Lower Front Wire              |
| 4B    | 530055724   |                            | Assy-Front Wire Upper Front Wire              |
| 5     | 530015886   |                            | Screw   |
| 6     | 530015805   |                            | Screw-Alignment                               |
| 7     | 530015886   |                            | Screw   |
| 8     | 530054940   |                            | Trigger                                       |
| 9     | 530069572   |                            | Kit-Switch                                    |
| 10    | 530055699   |                            | Assy-Handle-Assist                            |
| 11    | 530015820   |                            | Bolt  |
| 12    | 530088416   | 31WG Gas Trim Page 9 of 9  | Clamp-Assist Handle                           |
| 13    | 530016118   | Handle, Chassis & Bar Asse | Wingnut                                       |
| 14    | 530071607   |                            | Assy-Upper Shaft (incl. flex shaft & coupler) |
| 15    | 530016343   |                            | Screw-Alignment                               |
| 16    | 530016344   |                            | Screw   |
| 17    | 530071557   |                            | Assy-Lower Shaft (incl. flex shaft)           |
| 18    | 530069779   |                            | Kit-Shield Ass'y. (Incl.18-21)                |
| 19    | 530052285   |                            | Line Limiter                                  |
| 20    | 530015805   |                            | Screw-Line Limiter                            |
| 21    | 530015820   |                            | Bolt  |
| 22    | 530016118   |                            | Wingnut                                       |
| 23    | 952711574   |                            | Accy-Spool w/.080 line                        |
| 24    | 530403949   |                            | Guide-Centrex Line                            |
| 25    | 530095763   |                            | Assy-Cap 3/8 RH                               |
|       | 530163734   |                            | Operator Manual Not Shown                     |
|       | 530056221   |                            | Decal-Upper Shaft Not Shown                   |
|       | 530056220   |                            | Decal-Shaft Not Shown                         |
|       | 530057369   |                            | Decal-Starting Instruction Not Shown          |