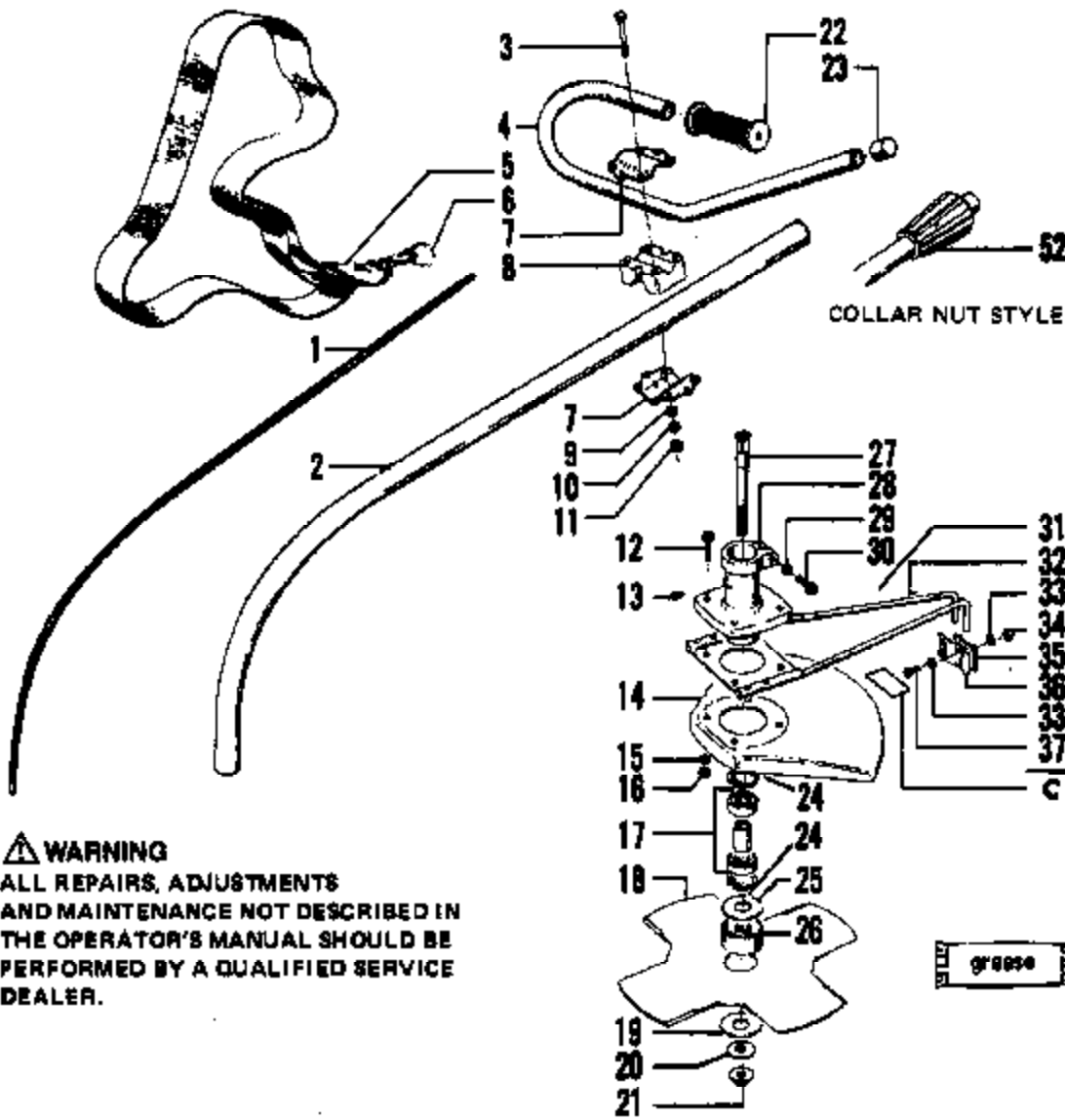
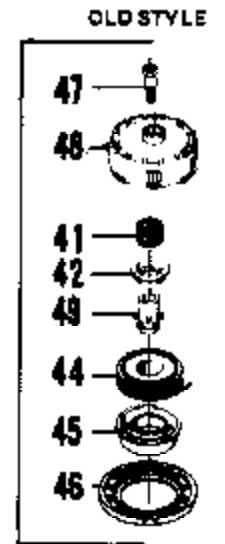
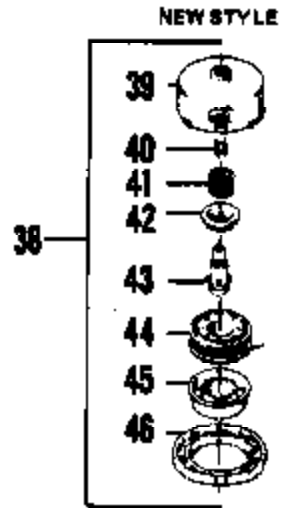


Ref #	Part Number	Qty	Description
1	530035017	1	Screw - Pump Cover
2		1	Pump Cover Ass'y (Inc. 4)
2	530035154		WA - 79
2	530035184		WA - 149 (# 35183)
3	530035135	1	Diaphragm - Pump (WA - 79)
4	530035156	1	Screw - Idle Adjustment
5		1	Gasket - Pump
5	530035009		WA - 79
5	530035164		WA - 149 (# 35183)
6	530035178	1	Screen - Inlet Included in Carburetor Kwik Repair Kit.
7		1	Diaphragm - Pump
7	530035152		WA - 79
7	530035166		WA - 149 (# 35183)
8	530035133	1	Valve - Throttle
9	530035007	1	Clip - Throttle Shaft
10	530035138	1	Spring - Throttle Return
11	530035015	1	Screw - Throttle Valve Included in Carburetor Kwik Repair Kit.
12	530035132	1	Shaft Assembly - Throttle
13	530035023	1	Spring - Idle Needle
14	530035141	1	Needle - Idle
15	530035139	1	Spring - Metering Lever Included in Carburetor Kwik Repair Kit.
16	530035106	1	Valve - Inlet Needle Included in Carburetor Kwik Repair Kit.
17	530035031	1	Lever - Metering Included in Carburetor Kwik Repair Kit.
18	530035036	1	Spring - Hi Speed Needle
19	530035142	1	Needle - Hi Speed
20	530035028	1	Pin - Metering Lever Included in Carburetor Kwik Repair Kit.
21	530035016	1	Screw - Metering Lever Pin
22	530035147	1	Gasket - Circuit Plate
23	530035042	1	Plate - Circuit
24	530035137	1	Screw - Circuit Plate Included in Carburetor Kwik Repair Kit.
25	530035151	1	Gasket - Metering Diaphragm
26	530035014	1	Diaphragm Assembly - Metering
27	530035153	4	Screw - Assembly - Metering Cover & Throttle Shaft Clip
28	530035149	1	Cover - Metering Diaphragm
29		1	Kit - Carb. Kwik Repair
29	530035144		WA - 79
29	530035185		WA - 149 (#35183)
30		1	Kit - Carb. Gasket/Diaphragm
30	530035145		WA - 79
30	530035186		WA - 149 (#35183)

2615 Gas Trimmer Page 2 of 8
 WA - 149 (# 35183)
 CARBURETOR WA-149 &



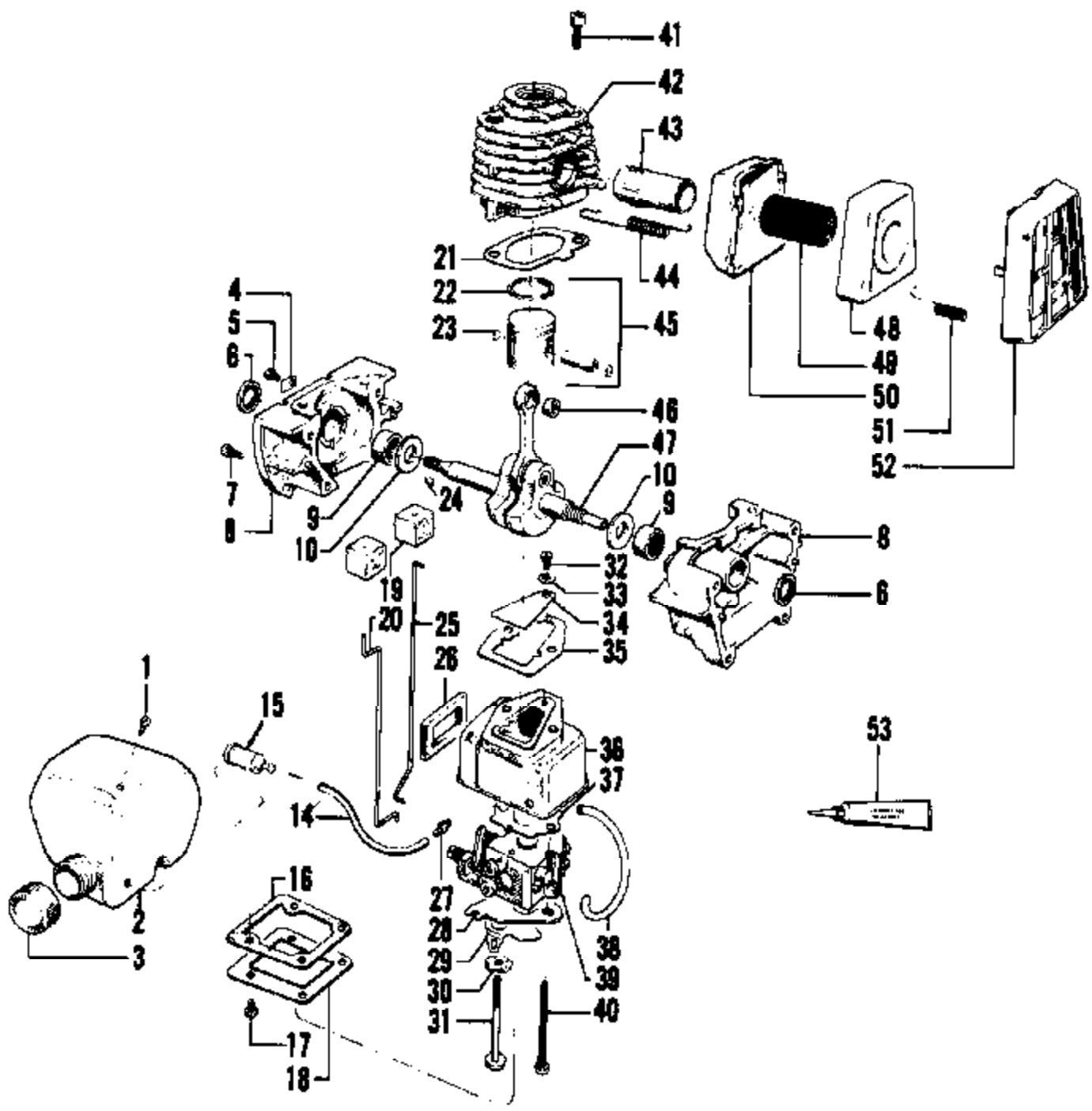
⚠ WARNING
 ALL REPAIRS, ADJUSTMENTS
 AND MAINTENANCE NOT DESCRIBED IN
 THE OPERATOR'S MANUAL SHOULD BE
 PERFORMED BY A QUALIFIED SERVICE
 DEALER.



grease 51

Ref #	Part Number	Qty	Description
1	530092261	1	Flexible Drive Shaft
2		1	Drive Shaft Housing
2	530093728		Collar Nut Style (Inc. 52)
2	530093726		Pinch Clamp Style
3	530015405	4	Bolt - #1/4 - 20 x 2" Hex
4	530093169	1	Barrier Handlebar
5	530093086	1	Shoulder Strap
6	530092231	1	"O" Ring - Shoulder Strap
7	530092079	2	Clamp - Handlebar
8	530092081	1	Block - Handlebar
9	530001503	4	Washer - 1/4" Flat
10	530001642	4	Washer - 1/4" Lock
11	530015197	2	Nut - #10 - 20 x 1" Hex
12	530625509	4	Screw - #1/4 - 20 x 1" Hex
13	530015518	1	Screw - #10 - 16 x 1/4 Self Tapping
14	530092212	1	Shield - Aluminum
15	530001503	4	Washer - 1/4" Flat
16	530001615	4	Nut - Deflector to Bearing Housing (1/4 - 20)
17	530069086	1	Bearings and Spacer Kit
18	952701546	1	Blade - 4 Tooth Weed
19	530093751	1	Washer - Flat
20	530015492	1	Washer - Bevel
21	530093748	1	Flange Nut
22	530092086	1	Grip - Handlebar
23	530092192	1	End Cap - Handlebar
24	530091783	2	Retaining Ring - Bearing
25	530092216	1	Washer - Dust Cup
26	530092359	1	Dust Cup
27	530093846	1	Shaft - Arbor
28	530093214	1	Bearing Housing Ass'y (Inc. 17 & 24-30)
29	530092227	1	Washer - 1/4" Int. Tooth
30	530625509	1	Screw - #1/4 - 20 x 1" Hex
31	530092244	1	Line Limiter Ass'y (Inc. 32 - 37)
32	530092226	1	Line Limiter Bracket
33	530015158	4	Washer
34	530015064	2	Nut - #10 - 24" Locking
35	530092224	1	Clamp - Line Limiter Front
36	530092234	1	Clamp - Line Limiter Rear (Includes Blade)
37	530015557	2	Screw - #10 - 24 x 3/8"
38	530093894	1	Cutting Head Ass'y - New Style (Inc. 39 - 46)
39	530093896	1	Hub w/Line Saver - New Style
40	530093898	1	Line Saver
41	530092067	1	Spring
42	530092068	1	Adaptor - Spring
43	530093897	1	Drive Gear - New Style
44	952701523	1	Spool With Line (.080" dia.)
45	530093387	1	Release Button
46	530092133	1	Cover
47	530092064	1	Bolt - Drive Adaptor - Old Style
48	530092131	1	Hub w/Line Saver - Old Style
49	530092069	1	Drive Gear - Old Style
51	530030102	1	Flex Shaft Lube
52	530024406	1	Collar Nut
	952701569	1	Tap-n-Go Repair Kit - Old Style Cutting Head Only (Inc.41,42,45,46,49)- optional; Not Shown.

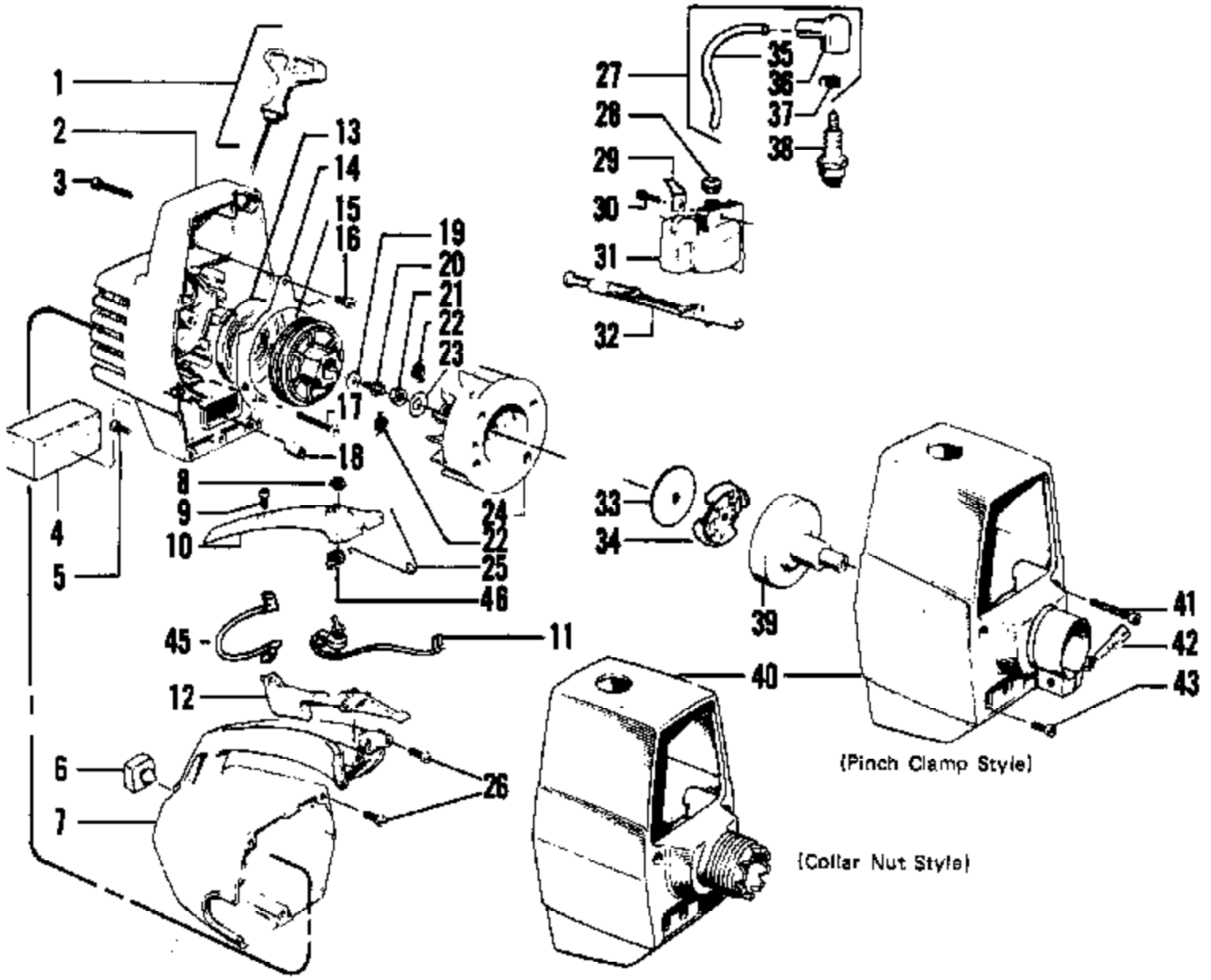
2615 Gas Trimmer Page 4 of 8
CUTTING HEAD & DRIVE ST



Ref #	Part Number	Qty	Description
1	530026119	1	Duck Bill Valve
2	530010776	1	Fuel Tank Ass'y. (Inc.1, 3 14 & 15)
3	530010797	1	Fuel Cap (Incl. O Ring)
4	530024651	1	Clamp - Choke Wire
5	530015004	1	Screw - #8 - 32 x 5/16" - Choke Rod Clamp
6	530019059	2	Seal - Crankshaft
7	530015168	4	Screw - #10 - 24 x 5/8" - Crankcase
8	530010316	1	Crankcase Assembly (Inc.6, 9 and Qty. 4 of #7)
9	530032058	2	Bearing - Crankshaft
10	530015351	2	Washer - Crankshaft Thrust
14	530021042	1	Fuel Line
15	530091878	1	Fuel Pick-Up Ass'y.
16	530019112	1	Gasket - Carburetor Case Cover
17	530015235	4	Screw - #8 - 18 x 9/16" - Carburetor Case Cover
18		1	Cover-Carb. Case-See Service Ref. 4.
19	530023373	2	Boot - Throttle - Choke Wire
20		1	Choke Wire - See Service Ref. 4.
21	530019111	1	Gasket - Cylinder
22	530024302	1	Piston Ring
23	530015162	2	Retainer - Wrist Pin
24	530015126	1	Key - Flywheel
25	530024902	1	Throttle Wire
26	530019105	1	Seal - Carburetor Case
27		1	Fuel Line Fitting
28		1	Choke Wire Guide Plate-See Service Ref. 4.
29	530024558	1	Choke Shutter
30	530015254	1	Wave Washer
31	530015404	1	Screw - #10 - 24 x 2-1/8" - Carburetor - Shoulder
32	530015241	1	Screw - #10 - 24 x 2-1/8" - Reed Valve
33	530023367	1	Washer - # 6 - Reed Valve Screw
34	530024438	1	Reed Valve
35	530019108	1	Gasket - Carburetor Case to Crankcase
36	530024409	1	Carburetor Housing
37	530019115	1	Carburetor Gasket
38	530021043	1	Fuel Line - Carburetor
39	530035183	1	Carburetor - See Service Ref. 2.
40	530015379	1	Screw - #10 - 24 x 1-7/8" - Carburetor
41	530015239	2	Screw - #1/4 - 20 x 3/4" - Cylinder
42	530012070	1	Cylinder
43	530024363	1	Diffuser - Muffler
44	530024903	2	Spring - Muffler Attachment
45	530022198	1	Piston Assembly (Inc. 22, 23 & Pin)
46	530032057	1	Bearing - Wrist Pin
47	530022202	1	Crankshaft & Rod Assembly
48	530024362	1	Body Muffler
49	530024364	1	Screen - Spark Arresting
50	530024361	1	Cover Muffler
51	530024932	2	Spring - Muffler Guard
52	530024855	1	Guard - Muffler
53	530030054	1	Sealant - Crankcase (not supplied)

2615 Gas Trimmer Page 6 of 8

POWER UNIT



(Pinch Clamp Style)

(Collar Nut Style)

Ref #	Part Number	Qty	Description
1		1	Rope & Starter Handle-See Service Ref.3 & 6
2	530069178	1	Fan Hsg. Kit (Inc. 14,16,17,18)
3	530015376	2	Screw - #10 - 24 x 1-1/2" - Fan Hsg. Top
4	530024371	1	Air Filter
5	530015168	2	Screw - #10 - 24 x 5/8" - Fan Hsg. Bottom
6	530024436	1	Bumper - Fuel Tank Housing
7	530024654	1	Handle & Fuel Tank Housing
8	530023575	1	Nut - Grounding Switch
9	530015247	1	Screw - #8 - 16 x 3/4" - Handle Cover
10	530024663	1	Handle Cover
11	530069182	1	Grounding Switch Kit (Inc. 8,29,45,46)
12	530024365	1	Trigger - Throttle
13		1	2615 Gas Trimmer Page 8 of 8 Starter Recoil Spring-See Service Ref. 3.
14	530026035	1	STARTER & SHROUD Air Baffle
15		1	Starter Pulley (Incl.#19)-See Service Ref. 3.
16	530015373	2	Screw - #10 - 24 x 1/4" - Fil. Hd. - Air Baffle
17	530015305	1	Screw - #10 - 24 x 1-3/16" -Fil. Hd. - Air Baffle
18	530026122	1	Spacer
19	530015123	1	Washer - Starter Pulley
20	530015036	1	Screw - #10 - 24 x 1/2" - Starter Pulley
21	530626605	1	Nut - #5/16 - 24" - Flywheel
22	530042059	2	Spring - Starter Dog
23	530015127	1	Washer - Flywheel
24	530039114	1	Flywheel Assembly (Inc. 22)
25	530024461	1	Trigger - Spring
26	530015367	5	Screw # 10 - 24 x 3/4" - Fan Housing to Handle & Fuel Tank
27	502039103	1	High Tension Lead Assembly (Inc. 35, 36 & 37)
28	530024435	1	Grommet - Plug Wire
29	530025995	1	Electrical Tab 45ø
30	530015128	2	Screw - #8 - 32 x 3/4" - Ignition Module
31	530069181	1	Kit - Module - Ignition
32	530024303	1	Choke Knob
33	530069196	1	Kit - Clutch Washer
34	530069194	1	Kit - Clutch Ass'y (Incl. Washer) - See Service Ref. 1 and 5.
35	530039082	1	High Tension Lead Wire
36	530003934	1	Boot - Spark Plug
37	530003933	1	Connector - Spark Plug Lead
38	530030077	1	Spark Plug (Champion CJ-14)
39	530010797	1	Drum - Clutch and Drive Adaptor
40		1	Shroud
40	530011695		Collar Nut Style
40	530011778		Pinch Clamp Style
41	530015376	2	Screw - #10 - 24 x 1-1/2" - Shroud Top
42	503098302	1	Bolt - #1/4 - 20 x 1" Hex - Pinch Clamp
43	530015168	2	Screw - #10 - 24 x 5/8" Fil. - Shroud Bottom
45	530039122	1	Wire - Lead - Grounding Switch
46	530024569	1	Washer - Grounding Switch