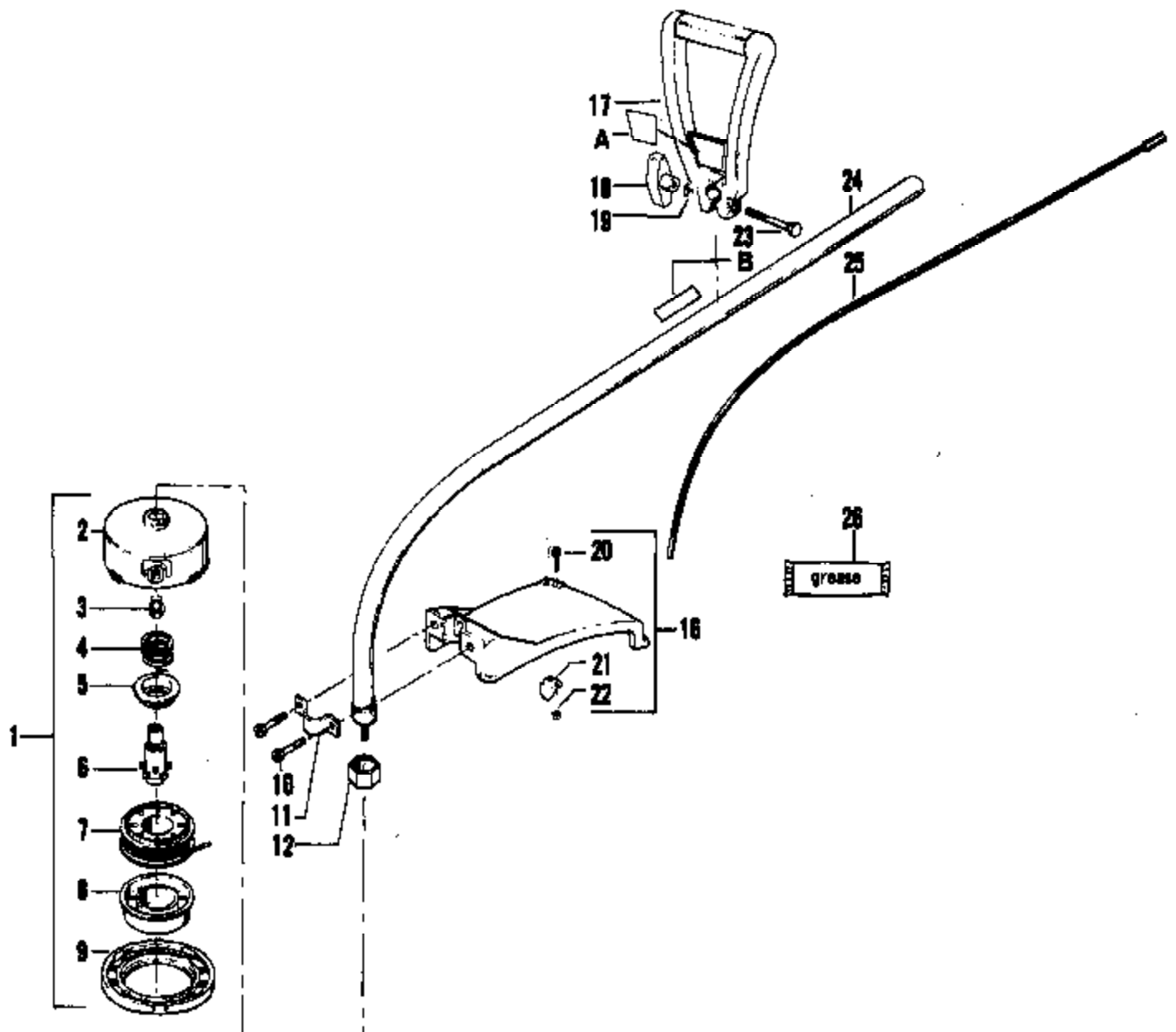
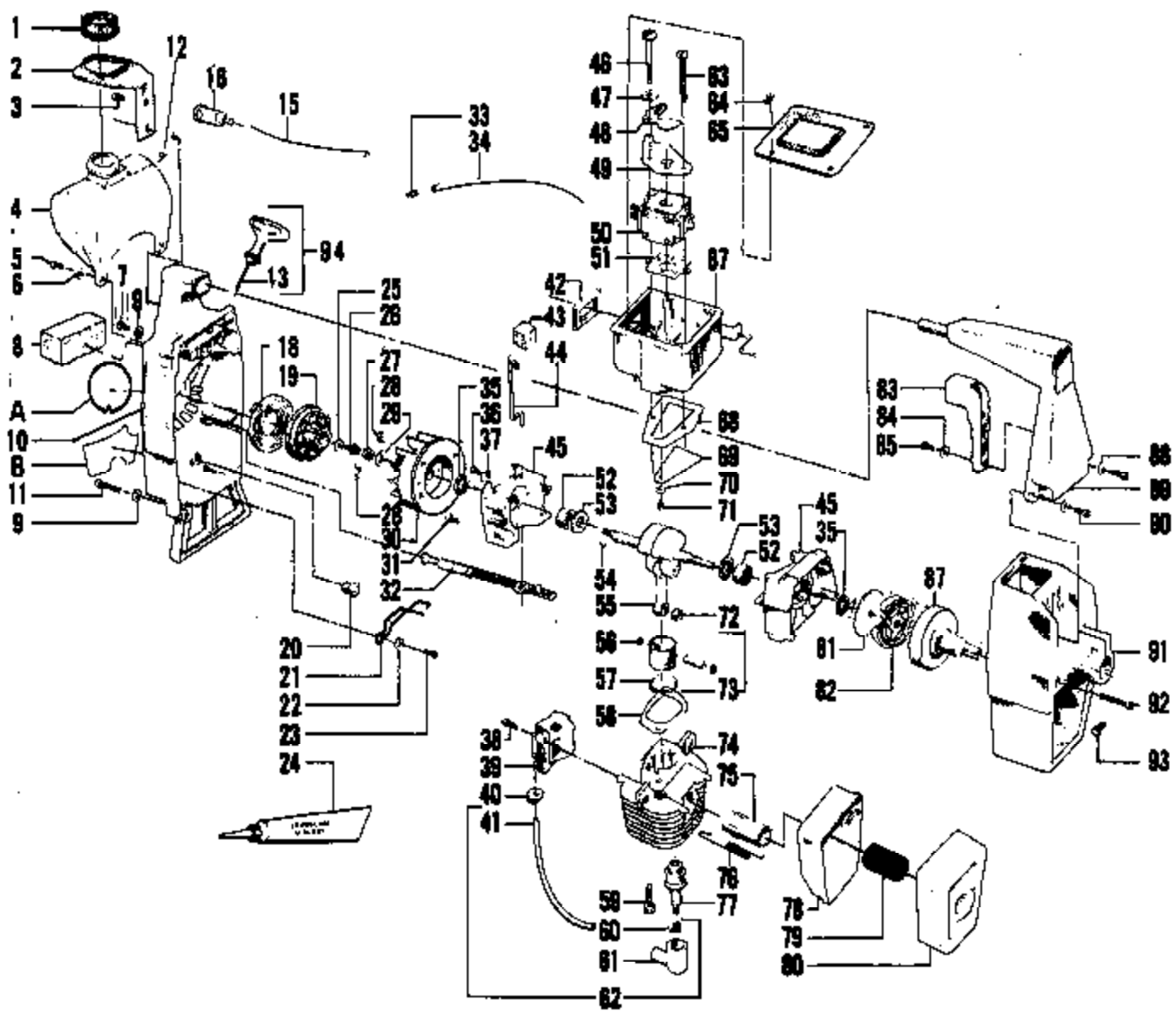


Ref #	Part Number	Qty	Description
1	530035017	1	Screw - Pump Cover
2	530035191	1	Pump Cover Ass'y (Inc.4)
3	530035164	1	Gasket - Pump
4	530035156	1	Screw - Idle Adjustment
5	530035178	1	Screen Inlet
6	530035166	1	Diaphragm - Pump
7	530035133	1	Valve - Throttle
8	530035007	1	Clip - Throttle Shaft
9	530035138	1	Spring - Throttle Return
10	530035015	1	Screw - Throttle Valve
11	530035132	1	Shaft Assembly - Throttle
12	530035023	1	Spring - Idle Needle
13	530035141	1	Needle - Idle
14	530035139	1	Spring - Metering Lever
15	530035106	1	Valve - Inlet Needle
16	530035031	1	Lever - Metering
17	530035036	1	Spring - Hi Speed Needle
18	530035142	1	Needle - Hi Speed
19	530035028	1	Pin - Metering Lever
20	530035016	1	Screw - Metering Lever Pin
21	530035147	1	Gasket - Circuit Plate
22	530035042	1	Plate - Circuit
23	530035137	1	Screw - Circuit Plate
24	530035151	1	Gasket - Metering Diaphragm
25	530035014	1	Diaphragm Assembly - Metering
26	530035153	4	Screw Assembly - Metering Cover & Throttle Shaft Clip
27	530035149	1	Cover - Metering Diaphragm
28	530035185	1	Kit Carb.-Kwik Repair (Inc. 3,5,6,10,14,15, 16,19,21,23,24,25)
29	530035186	1	Kit Carb.-Gasket/Diaphragm (Inc. 3,6,21,24, 25)

1740 Gas Trimmer Page 2 of 9  
 CARBURETOR WA-149 BRF



Ref #	Part Number	Qty	Description
1	530093894	1	Cutting Head Ass'y (Inc.2 - 9)
2	530093896	1	Hub w/Line Saver
3	530093898	1	Line Saver
4	530092067	1	Spring
5	530092068	1	Adaptor - Spring
6	530093897	1	Drive Gear
7	952701523	1	Spool w/Line
8	530093387	1	Release Button
9	530092133	1	Cover
10		2	Screw - Shield See Service Ref. 2.
11	530093653	1	Bracket - Shield
12	530093716	1	Dust Cup
16		1	1740 Gas Trimmer Page 4 of 9 Kit Shield Assy. (Inc. 10,20, 21, 22) See Service Ref. 2.
17	530010722	1	CUTTING HEAD ASSEMBLY Assist Handle
18	530092059	1	Knob - #1/4 - 20
19	530092062	1	Washer - #1/4 Flat
20	530015337	2	Screw - Line Limiter
21	530093853	1	Limiter - Line
22	530015064	2	Nut - #10 - 24 Line Limiter
23	530092061	1	Hex Bolt - #1/4 - 20 x 2-1/4"
24	530093934	1	Drive Shaft Ass'y (Inc.12)
25	530093928	1	Flexible Shaft Assembly
26	530030102	1	Flex Shaft Lube (Optional)
A	530026225	1	Decal - "D" Handle Warning
B	530026228	1	Decal - Warning

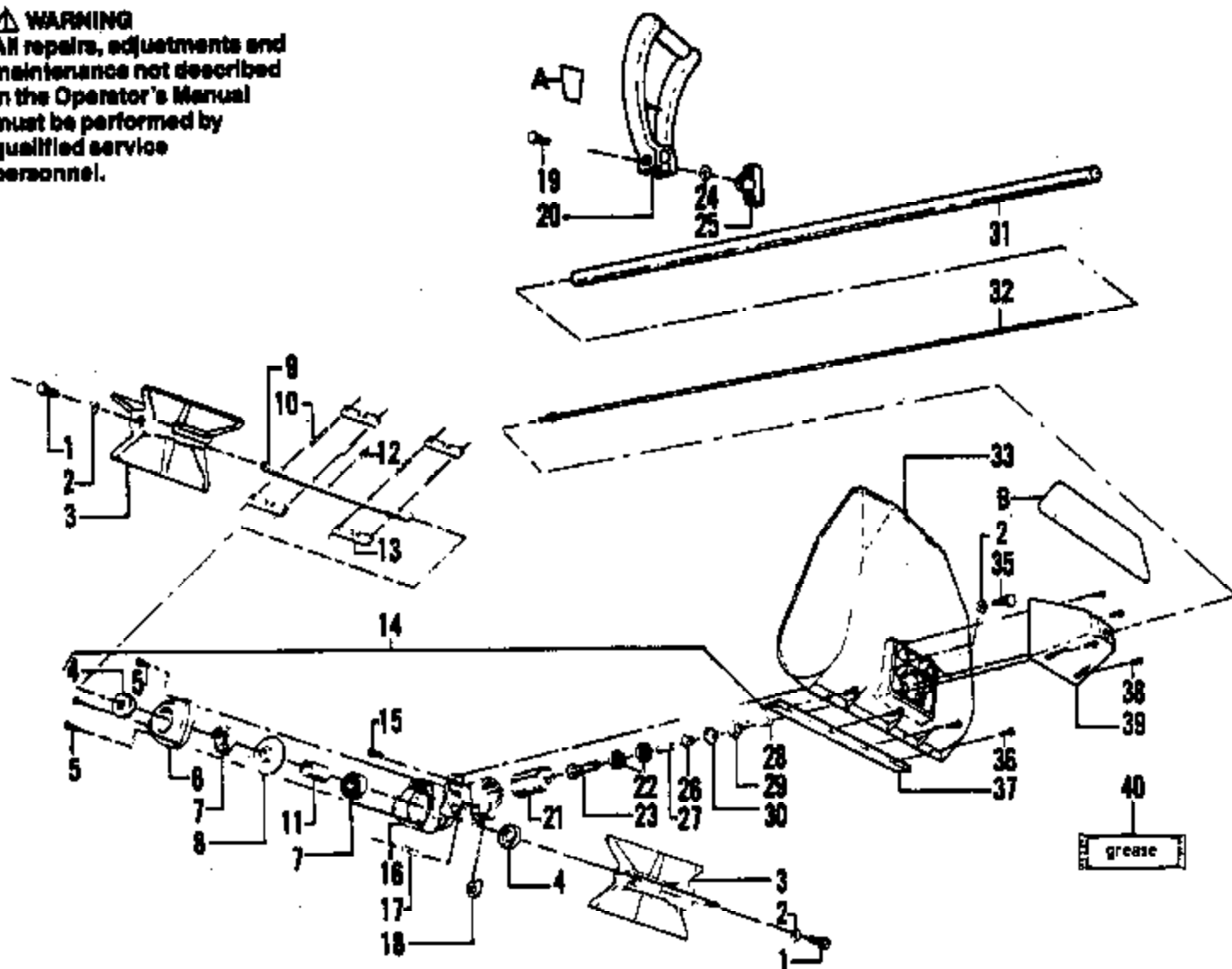


Ref #	Part Number	Qty	Description
1	530010729	1	Fuel Cap Assembly (Inc. O-Ring)
2	530025377	1	Bracket - Fuel Tank
3	530092243	1	Screw - Bracket/Handle - #1/4 - 10 x 1-1/8"
4	530010771	1	Fuel Tank Ass'y (Inc.1, 12, 15 & 16)
5	530015509	2	Screw - Fuel Tank/Fan Hsg. (#10x1")
6	530015158	2	Washer #10 - Fuel Tank/Fan Hsg.
7	530015168	2	Screw - Fan Hsg. Top #10 - 24 x 5/8" Fil. Hd.
8	530024371	1	Air Filter
9	530015274	4	Washer #10 - Flat - Fan Hsg.
10	530011909	1	Fan Housing
11	530015305	2	Screw - Fan Housing - Bottom - (#10 - 24 x 1-3/16" Fil.)
12	530026119	1	Check Valve - Duck Bill
13	530022290	1	1740 Gas Trimmer Page 6 of 9 ROPE (3.5 ft.)
15	530021045	1	ENGINE BLOCK & SHROU Line Fuel
16	530091878	1	Fuel Pick-up Assembly
18	530042067	1	Starter - Recoil Spring
19	530026048	1	Starter - Pulley
20	530026679	1	Button - Kill Switch
21	530026559	1	Spring - Kill Switch
22	530015382	1	Washer #8 - Kill Switch
23	530015407	1	Screw - Kill Switch (#8 - 16 x 3/8")
24	530030054	1	Crankcase Sealant - 3 oz. tube (Optional)
25	530015123	1	Washer - Starter Pulley
26	530015479	1	Screw - Starter Pulley (#10-3/4 - Hex Head)
27	530626605	1	Nut - #5/16 - 24" Flywheel
28	530042059	2	Spring - Starter Dog
29	530015127	1	Washer - Flywheel
30	530039114	1	Flywheel Ass'y (Inc.28)
31	530015168	4	Screw - Crankcase (#10 - 24 x 5/8" Fil.)
32	530024303	1	Knob - Choke
33	530025472	1	Fitting - Fuel Line
34	530021044	1	Fuel Line - Carburetor
35	530019059	2	Seal - Crankshaft
36	530015004	1	Screw - Clamp #8 - 32 x 5/16" Pan.
37	530024651	1	Clamp - Choke Wire
38	530015128	2	Screw - Ignition Module (#8 - 32 x 3/4" - Sems)
39	530069181	1	Kit Module (Inc. 21)
40	530024435	1	Grommet - Plug Wire
41	530039082	1	Lead Wire - High Tension
42	530019105	1	Seal - Carburetor Case
43	530023373	1	Boot - Choke Wire
44	530026236	1	Wire - Choke
45	530010316	1	Crankcase Ass'y (Inc.35, 52 and Qty. 4 of 31)
46	530015404	1	Screw - Carburetor (Shoulder #10 - 24 x 2-1/8)
47	530015254	1	Wave Washer
48	530024558	1	Shutter - Choke
49	530026237	1	Plate - Guide, Choke Wire
50	530035183	1	Carburetor - WA-149 - (See Page 4 for Assembly)
51	530019115	1	Gasket - Carburetor
52	530032058	2	Bearing - Crankshaft
53	530015351	2	Thrust Washer - Crankshaft
54	530015126	1	Key - Flywheel
55	530026675	1	Crankshaft & Rod Assembly
56	530015162	2	Retainer - Wrist Pin
57	530024929	1	Piston Ring
58	530019111	1	Gasket - Cylinder

Ref #	Part Number	Qty	Description
59	530015239	2	Screw - Cylinder (#1/4 - 20 x 3/4" Socket Head)
60	530003933	1	Connector - Spark Plug
61	530003934	1	Boot - Spark Plug
62	502039103	1	High Tension Lead Ass'y (Inc.41, 60, & 61)
63	530015379	1	Screw - Carburetor (#10 - 24 x 1-7/8 Fil.)
64	530015235	4	Screw - Carburetor Cover (#8 - 18 x 9/16")
65	530026029	1	Cover - Carburetor Case
67	530010453	1	Carburetor Case Assembly
68	530019108	1	Gasket - Carburetor Case Crankcase
69	530024438	1	Reed Valve
70	530023367	1	Washer #6 - Reed Valve
71	530015241	1	Screw - Reed Valve (#6 - 19 x 5/16")
72	530032057	1	Bearing - Wrist Pin
73	530022238	1	Piston Kit (Inc. 56, 57 and pin)
74	530012071	1	Cylinder
75	530024363	1	Diffuser - Muffler
76	530024903	2	Spring - Muffler Attachment
77	530030077	1	Spark Plug (CJ-14)
78	530024362	1	Body - Muffler
79	530024364	1	Screen - Spark Arrestor
80	530024361	1	Cover - Muffler
81	530069196	1	Kit - Clutch - Washer
82	530069194	1	Kit - Clutch Ass'y (Inc. Clutch Washer) - See Service Reference 1
83	530025342	1	Trigger - Throttle
84	530015382	1	Washer #8 - Throttle
85	530015407	1	Screw - Throttle (#8 - 16 x 3/8")
87	530010796	1	Drum and Coupling Ass'y
88	530015274	2	Washer #10 - Flat - Shroud
89	530025704	1	Handle
90	530015163	2	Screw - Shroud (Top) #10 - 24 x 7/8"
91	530011778	1	Shroud
92	530015376	2	Screw - Shroud (Bottom) - #10 - 24 x 1-1/2" Fil
93	530625509	1	Bolt, Pinch Clamp (#1/4 - 20 x 1" - Hex Cap)
94	530026112	1	Ass'y Rope & Handle - Starter Old Style - One Piece Ass'y
94	530026792	1	Ass'y Rope & Handle - Starter New Style - Two Piece Ass'y
A	530025708	1	Decal - Starting Instructions
B	530026440	1	Decal - Choke/OFF
	530026607	1	Decal - Shroud (Right)
	530026608	1	Decal - Shroud (Left) (Not a serviceable part)

1740 Gas Trimmer Page 7 of 9  
ENGINE BLOCK & SHROUD

**⚠ WARNING**  
All repairs, adjustments and maintenance not described in the Operator's Manual must be performed by qualified service personnel.



Ref #	Part Number	Qty	Description
1	530015426	2	Screw - Impeller - #1/4 - 20 x 1/2" - Hex Cap
2	530001503	6	Washer - #1/4 - Impeller & Gear Box Mtg.
3	530093883	2	Impeller
4	530093119	2	Oil Seal - Double Lip
5	530093865	3	Screw - Gear Housing
6	530093864	1	Gear Housing Cover
7	530093118	2	Bearing - Shaft
8	530093867	1	Gear - Spiral Bevel
9	530093117	1	Output Shaft
10	530093034	4	Pin - Spiral - Brace
11	530093807	1	Collar - Shaft
12	501093124	1	Pin Spiral - Gear
	530093124	1	Pin Spiral - Gear
13	530093036	4	Brace - Impeller
14	530093861	1	Gear Box Ass'y (Inc.4-8, 11, 15-18 & 21-30)
15	530015216	1	Screw - Index #10 - 24 x 7/16" Pan Hd.
16	530093866	1	Gear Housing
17	530015239	1	Screw - Pinch Clamp - #1/4 - 20 x 3/4" - Hex Socket Head
18	530092308	1	Washer - Fiber Filler
19	530092061	1	Screw - #1/4 - 20 x 1-3/4" Assist Handle
20	530010722	1	Assist Handle
21	530093863	1	Sleeve - Housing
22	530092329	2	Bearing - Pinion
23	530093868	1	Pinion Gear - Spiral Bevel
24	530092062	1	Washer - #1/4 - Assist Handle
25	530092059	1	Knob - Assist Handle
26	530091573	1	Retaining Ring - Pinion
27	530093128	1	Collar Pinion
28	530093875	1	Plug - Grease It is recommended that Grease Plug 193875 be serviced only by an authorized service dealer.
29	530093129	1	Oil Seal - Single Lip
30	530091574	1	Retaining Ring - Bearing
31	530093933	1	Drive Shaft Housing Ass'y. (Inc.32)
32	530093932	1	Drive Shaft
33	530010726	1	Housing - Impeller
35	530015459	4	Screw - #1/4 - 20 x 3/4" - Gear Box Mounting
36	530015451	4	Screw - Scraper Bar - #8 - 12 x 3/4" - Fil. Hd.
37	530093029	1	Scraper Bar
38	530015451	4	Screw - Rear Cover - #8 - 12 x 3/4" - Fil. Hd.
39	530092563	1	Cover - Rear
40	530030102	1	Grease (Optional)
A	530026225	1	Decal - Assist Handle
B	530026609	1	Decal - Caution and Model
	530060769	1	Carton (Not a serviceable part)
	530066424	1	Operator's Manual

1740 Gas Trimmer Page 9 of 9  
 SNOW SHOVEL ATTACHMENT