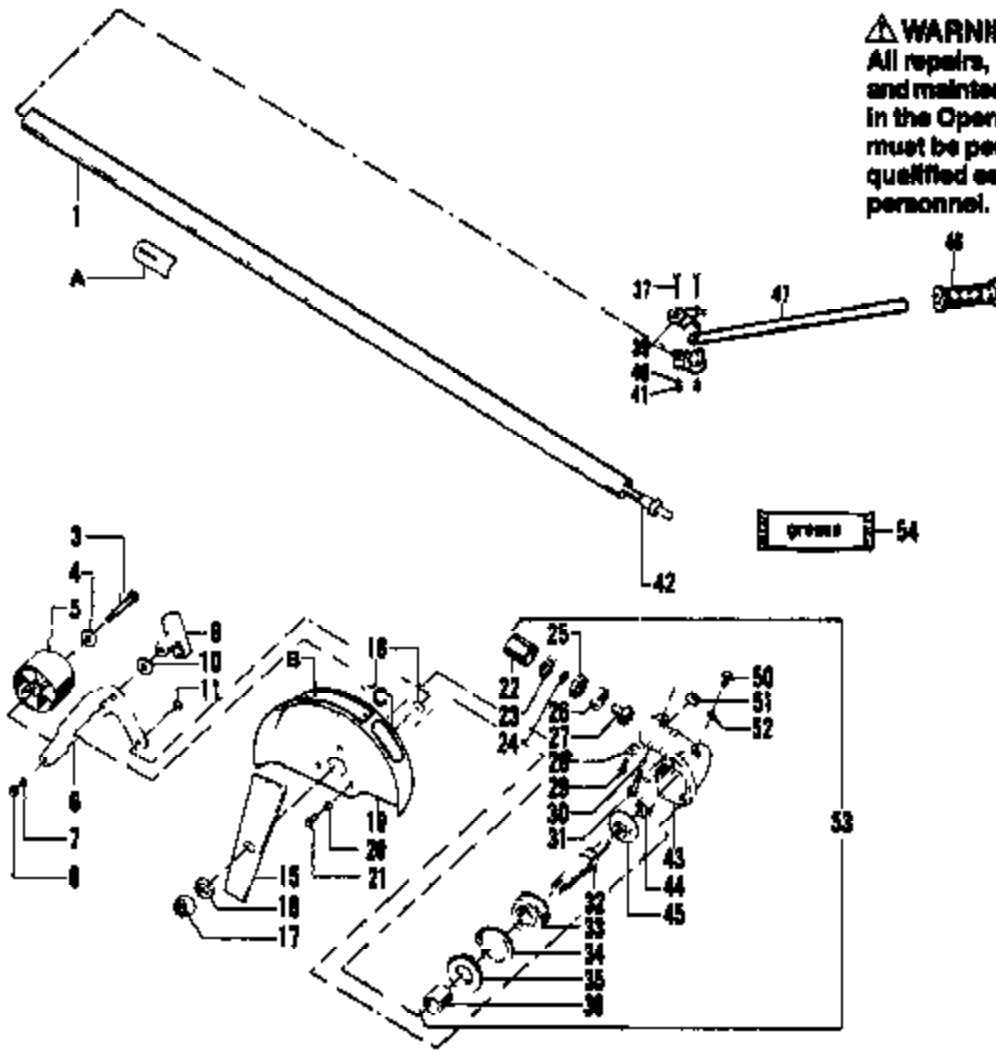


Ref #	Part Number	Qty	Description
1	530035017	1	Screw - Pump Cover
2	530035191	1	Pump Cover Ass'y (Incl. #4)
3	530035164	1	Gasket - Pump
4	530035156	1	Screw - Idle Adjustment
5	530035178	1	Screen - Inlet
6	530035166	1	Diaphragm - Pump
7	530035133	1	Valve - Throttle
8	530035007	1	Clip - Throttle Shaft
9	530035138	1	Spring - Throttle Return
10	530035015	1	Screw - Throttle Valve
11	530035132	1	Shaft Assembly - Throttle
12	530035023	1	Spring - Idle Needle
13	530035141	1	Needle - Idle
14	530035139	1	Spring - Metering Lever
15	530035106	1	Valve - Inlet Needle
16	530035031	1	Lever - Metering
17	530035036	1	Spring - Hi Speed Needle
18	530035142	1	Needle - Hi Speed
19	530035028	1	Pin - Metering Lever
20	530035016	1	Screw - Metering Lever Pin
21	530035147	1	Gasket - Circuit Plate
22	530035042	1	Plate - Circuit
23	530035137	1	Screw - Circuit Plate
24	530035151	1	Gasket - Metering Diaphragm
25	530035014	1	Diaphragm Assembly - Metering
26	530035153	4	Screw Assembly - Metering Cover & Throttle Shaft Clip
27	530035149	1	Cover - Metering Diaphragm
28	530035185	1	Kit - Carb. Kwik Repair (Inc. 3,5,6,10,14, 15,16,19,21,23,24,25)
29	530035186	1	Kit - Carb. Gasket / Diaphragm (Inc. 3,6, 21,24,25)

1720 Gas Trimmer Page 2 of 9

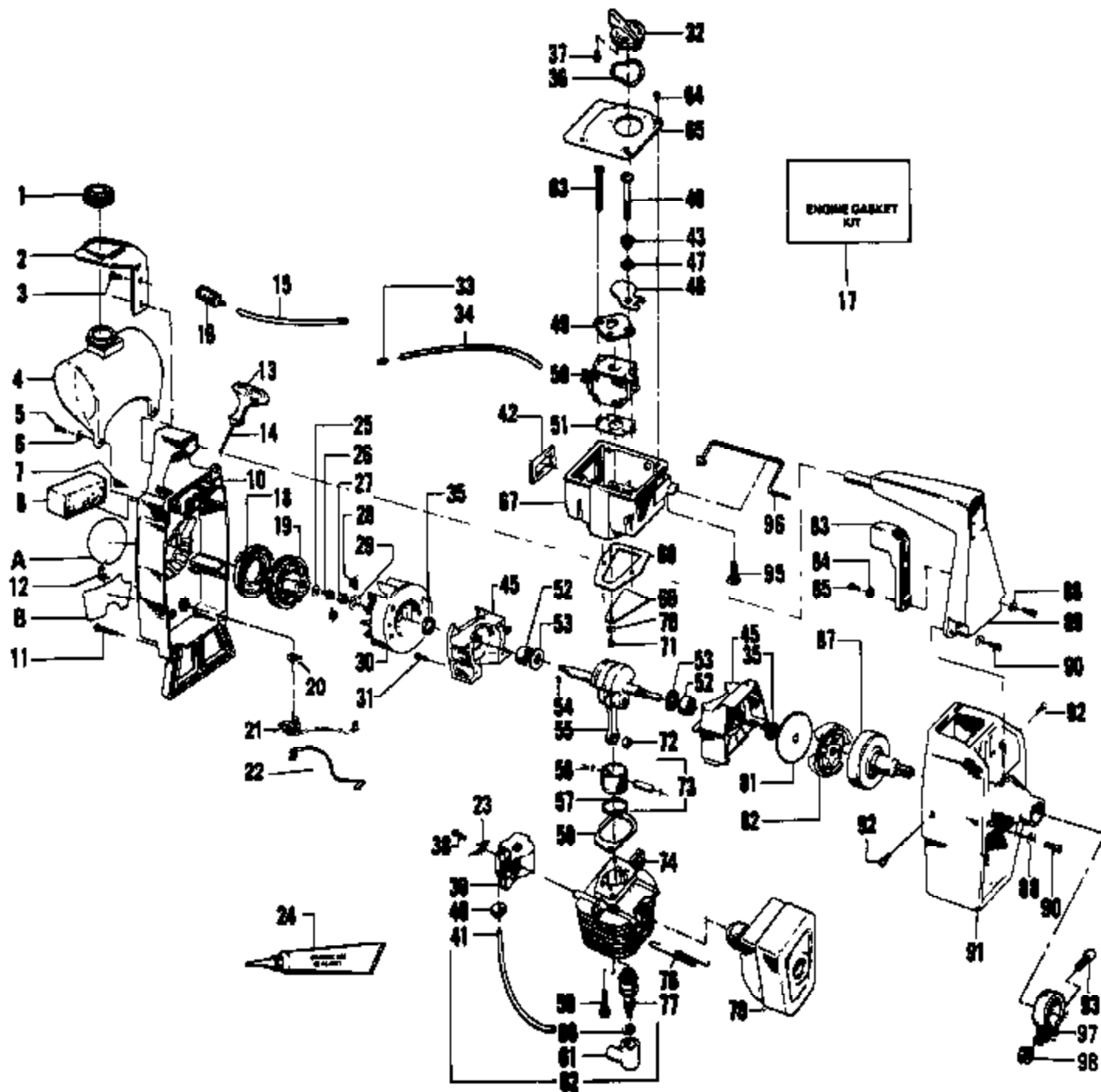
CARBURETOR WA-149 BRF

**⚠ WARNING**  
All repairs, adjustments  
and maintenance not described  
in the Operator's Manual  
must be performed by  
qualified service  
personnel.



Ref #	Part Number	Qty	Description
1	530094415	1	Drive Shaft Housing Assembly
3	530092327	1	Shoulder-Bolt-Wheel #5/16-18 x 5/64"
4	530001576	1	Washer - #5/16-Wheel
5	530092324	1	Wheel - Depth Adjusting
6	530092348	1	Bracket - Wheel
7	530092322	1	Lockwasher - #5/16 - Wheel to Bracket
8	530001721	1	Nut-Bracket to Guard - #5/16 - 18-Hex
9	530092059	1	Knob - Wheel
10	530092062	1	Washer - #1/4 -Knob
11	530001615	1	Locknut-Bracket to Guard - #1/4-20
15	530092343	1	Blade
16	530093819	1	Lockwasher - #7/16 - Blade Mounting
17	530093818	1	Nut - #7/16 - Blade Mounting
18	530015209	2	Washer - #1/4 - Bracket to Guard
19	530010396	1	Guard Assembly
20	530092227	3	Lockwasher - #1/4 - Guard to Gear Housing
21	530015426	3	Screw - Guard to Gear Housing - #1/4-20 x 1/2"
22	530092339	2	Sleeve - Drive Shaft Tube
23	530091574	1	Retaining Ring
24	530092326	1	Retaining Ring - Pinion
25	530091575	1	Bearing - Sealed
26	530092329	1	Bearing - Open
27	530092325	1	Gear - Pinion
28	530092557	1	Lockwasher - #10 - Index Screw
29	530092354	1	Screw - Index - #10-24 x 1/2"
30	530092278	1	Lockwasher 1/4 - Pinch Clamp
31	530092353	1	Screw - Pinch Clamp - #1/4-20 x 1-3/16"
32	530092333	1	Shaft - Output
33	530092335	1	Bearing - Large
34	530092336	1	Retaining Ring
35	530092337	1	Seal - Oil
36	530092338	1	Collar - Shaft
37	530001648	2	Bolt - Bracket #1/4-20 x 1 - 1/4"
39	530094427	1	Bracket - Handlebar
40	530001642	2	Lockwasher - #1/4 - Bracket
41	530015197	2	Nut - Bracket - #1/4-20 - Hex
42	530092554	1	Drive Shaft Assembly
43	530092332	1	Gear Housing
44	530092331	1	Bearing - Small
45	530092334	1	Gear
46	530091402	1	Grip - Handlebar
47	530094413	1	Handlebar
50	530092352	1	Screw - Lubrication Filler - #5/16-18 x 3/8
51	530092308	1	Spacer 5/16 - Fiber - Pinch Clamp
52	530092556	1	Washer - Fiber
53	530092265	1	Gear Housing Assembly (Inc. #'s 22-36, 43-45 & 50-52)
54	530030102	1	Drive Shaft Lube
A	530026233	1	Decal - Handlebar Location
B	530025264	1	Decal - Guard
C	530027269	1	Decal - Blade Rotation
	530066858		Operator's Manual

1720 Gas Trimmer Page 4 of 9  
DRIVE SHAFT - GEAR HOUSING



Ref #	Part Number	Qty	Description
1	530010729	1	Fuel Cap Assembly (Incl. O-Ring)
2	530025377	1	Bracket-Fuel Line
3	530092243	1	Screw-Bracket Handle (#1/4-10x1-1/8")
4	530010887	1	Fuel Tank Ass'y. (Incl. #1, 15 & 16)
5	530015509	2	Screw-Fuel Tank Fan Hsg. (#10x1")
6	530015158	2	Washer-Fuel Tank Fan Hsg. #10
7	530015582	2	Screw-Fan Hsg. Top
8	530024371	1	Air Filter
10	530010891	1	Fan Housing Ass'y.
11	530015594	2	Screw-Fan Housing-Bottom
12	530023575	1	Nut-Grounding Switch
13	530026735	1	Starter-Handle
14	530069232	1	1720 Gas Trimmer Page 6 of 9 ROPE KIT
15	530021062	1	ENGINE ASSEMBLIES Fuel Line
16	530010897	1	Fuel Pick-Up Ass'y.
17	530069219	1	Engine Gasket Kit (Inc. 35,42,51,58,59,68)
18	530042067	1	Starter-Recoil Spring
19	530026048	1	Starter-Pulley
20	530024569	1	Washer-Ground Terminal
21	530069182	1	Grounding Switch Kit (Inc. 12,20,22,23)
22	530039122	1	Lead Wire-Ground
23	530025995	1	Tab 45ø-Electrical
24	530030054	1	Crankcase Sealant-3 oz. tube (Optional)
25	530015123	1	Washer-Starter Pulley
26	530015479	1	Screw-Starter Pulley (#10-24x3/4" Hex Hd.)
27	530626605	1	Nut-Flywheel
28	530042059	2	Spring-Starter Dog
29	530015127	1	Washer-Flywheel
30	530039114	1	Flywheel-Ass'y. (Incl. #28)
31	530015369	4	Screw-Crankcase (#10-24x5/8" Fil.)
32	530027101	1	Choke Knob
33	530026981	1	Fitting-Fuel Line
34	530021073	1	Fuel Line-Carburetor
35	530019059	2	Seal-Crankshaft
36	530015741	1	Wave Washer
37	530015740	1	Screw
38	530015128	2	Screw-Ignition Module (#8-32x3/4" Sems)
39	530069181	1	Ignition Module Kit (Inc.21)
40	530024435	1	Grommet-Plug Wire
41	530039082	1	Lead Wire-High Tension
42	530019105	1	Seal-Carburetor Case
43	530015673	1	Spacer
45	530010757	1	Crankcase Ass'y. (Incl. #35, 52 and Qty 4 of 31)
46	530015630	1	Screw-Carburetor
47	530015254	1	Wave Washer
48	530026772	1	Shutter-Choke
49	530026797	1	Plate-Guide, Choke Wire
50	530035183	1	Carburetor-WA-149
51	530019115	1	Gasket-Carburetor
52	530032029	2	Bearing-Crankshaft
53	530015351	2	Thrust Washer-Crankshaft
54	530015126	1	Key-Flywheel
55	530026675	1	Crankshaft & Rod Assembly
56	530015162	2	Retainer-Wrist Pin
57	530026413	1	Piston Ring
58	530019111	1	Gasket-Cylinder

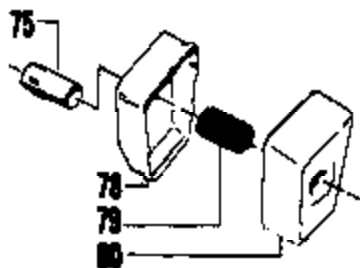
Ref #	Part Number	Qty	Description
59	530015239	2	Screw-Cylinder (#1/4-20x3/4" Soc. Hd.)
60	530003933	1	Connector-Spark Plug
61	530003934	1	Boot-Spark plug
62	502039103	1	High Tension Lead Ass'y. (Incl. #41, 60, & 61)
63	530015674	1	Screw-Carburetor
64	530015235	4	Screw-Carburetor Cover (#8-18x9/16")
65	530027100	1	Cover-Carburetor Case
67	530027189	1	Carburetor Case Ass'y.
68	530019108	1	Gasket-Carburetor Case Crankcase
69	530024438	1	Reed Valve
70	530023367	1	Washer-Reed Valve
71	530015241	1	Screw-Reed Valve (#6-19x5/16")
72	530032057	1	Bearing-Over Piston
73	530010843	1	Piston Kit (Incl. 56, 57 & Pin)
74	530012095	1	Cylinder Previous Style
74	530012168	1	Cylinder Current Style
76	530024903	2	Spring-Muffler Attachment
77	530030077	1	Spark Plug (CJ-14)
78	530024362	1	Body-Muffler
81	530069196	1	Kit-Washer-Clutch
82	530069194	1	Kit-Clutch-Assembly (Incl. Washer)
83	530025342	1	Trigger-Throttle
84	530015382	1	Washer-Throttle
85	530015407	1	Screw-Throttle (#8-16x3/8")
87	530010797	1	Drum and Coupling Assembly
88	530015274	4	Washer-Flat-# 10 Shroud
89	530025704	1	Handle
90	530015163	4	Screw-Shroud
91	530026547	1	Shroud
92	530015590	2	Screw-Shroud
93	530015609	1	Bolt, Pinch Clamp
95	530015723	1	Screw
96	530027190	1	Throttle Wire
97	530026560	1	Clamp
98	530015610	1	Nut
A	530027380	1	Decal-Starting Instructions
B	530027118	1	Decal-Choke/OFF
	530027354	1	Decal-Shroud (Right) (Not a serviceable part)
	530027355	1	Decal-Shroud (Left) (Not a serviceable part)

1720 Gas Trimmer Page 7 of 9  
 ENGINE ASSEMBLIES

## 1. MUFFLER ASSEMBLY — Page 3

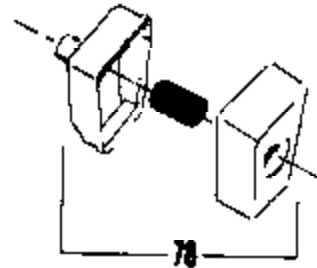
To replace your muffler note the drawings below and order accordingly.

If your unit has a separate diffuser, order parts as noted.



Key No.	Part No.	Qty.	Description
75	26849	1	Diffuser - Muffler
78	24382	1	Body - Muffler
79	24364	1	Screen - Spark Arrestor
80	24361	1	Cover - Muffler

Order the Muffler Kit for the built-in diffuser as shown



Key No.	Part No.	Qty.	Description
78	◇69243	1	Muffler Ass'y.

Ref #	Part Number	Qty	Description
75	530026949	1	Diffuser - Muffler for a unit with separate diffuser
78	530024362	1	Body - Muffler for a unit with separate diffuser
79	530024364	1	Screen - Spark Arrestor for a unit with separate diffuser
80	530024361	1	Cover - Muffler for a unit with separate diffuser
78	530069243	1	Muffler Ass'y. for the built-in diffuser

1720 Gas Trimmer Page 9 of 9  
MUFFLER ASSEMBLY