

**CARB
REPAIR
KIT**

**CARB
GASKET
KIT**

28

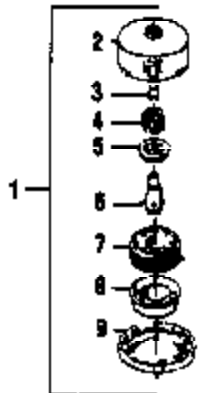
28

Ref #	Part Number	Qty	Description
1	530035017	1	Screw - Pump Cover
2		1	Pump Cover Ass'y (Inc. #4)
2	530035154		WA-79
2	530035191		WA-149 (#35183)
3	530035135	1	Diaphragm - Pump (WA-79 Only)
4	530035156	1	Screw - Idle Adjustment
5		1	Gasket - Pump
5	530035009		WA-79
5	530035164		WA-149 (#35183)
6	530035178	1	Screen Inlet Included in Carburetor Kwik Repair Kit.
7		1	Diaphragm - Pump
7	530035152		WA-79
7	530035166		WA-149 (#35183)
8	530035133	1	Valve - Throttle
9	530035007	1	Clip - Throttle Shaft
10	530035138	1	Spring - Throttle Return
11	530035015	1	Screw - Throttle Valve Included in Carburetor Kwik Repair Kit.
12	530035132	1	Shaft Assembly - Throttle
13	530035023	1	Spring - Idle Needle
14	530035141	1	Needle - Idle
15	530035139	1	Spring - Metering Lever Included in Carburetor Kwik Repair Kit.
16	530035106	1	Valve - Inlet Needle Included in Carburetor Kwik Repair Kit.
17	530035031	1	Lever - Metering Included in Carburetor Kwik Repair Kit.
18	530035036	1	Spring - Hi Speed Needle
19	530035142	1	Needle - Hi Speed
20	530035028	1	Pin - Metering Lever Included in Carburetor Kwik Repair Kit.
21	530035016	1	Screw - Metering Lever Pin
22	530035147	1	Gasket - Circuit Plate
23	530035042	1	Plate - Circuit
24	530035137	1	Screw - Circuit Plate
25	530035151	1	Gasket - Metering Diaphragm
26	530035014	1	Diaphragm Ass'y - Metering
27	530035153	4	Screw Ass'y - Metering Cover & Throttle Shaft Clip
28	530035149	1	Cover - Metering Diaphragm
29		1	Kit - Carb Kwik Repair
29	530035144		WA-79
29	530035185		WA-149 (#35183)
30		1	Kit-Carb Gasket/Diaphragm
30	530035145		WA-79
30	530035186		WA-149 (#35183)

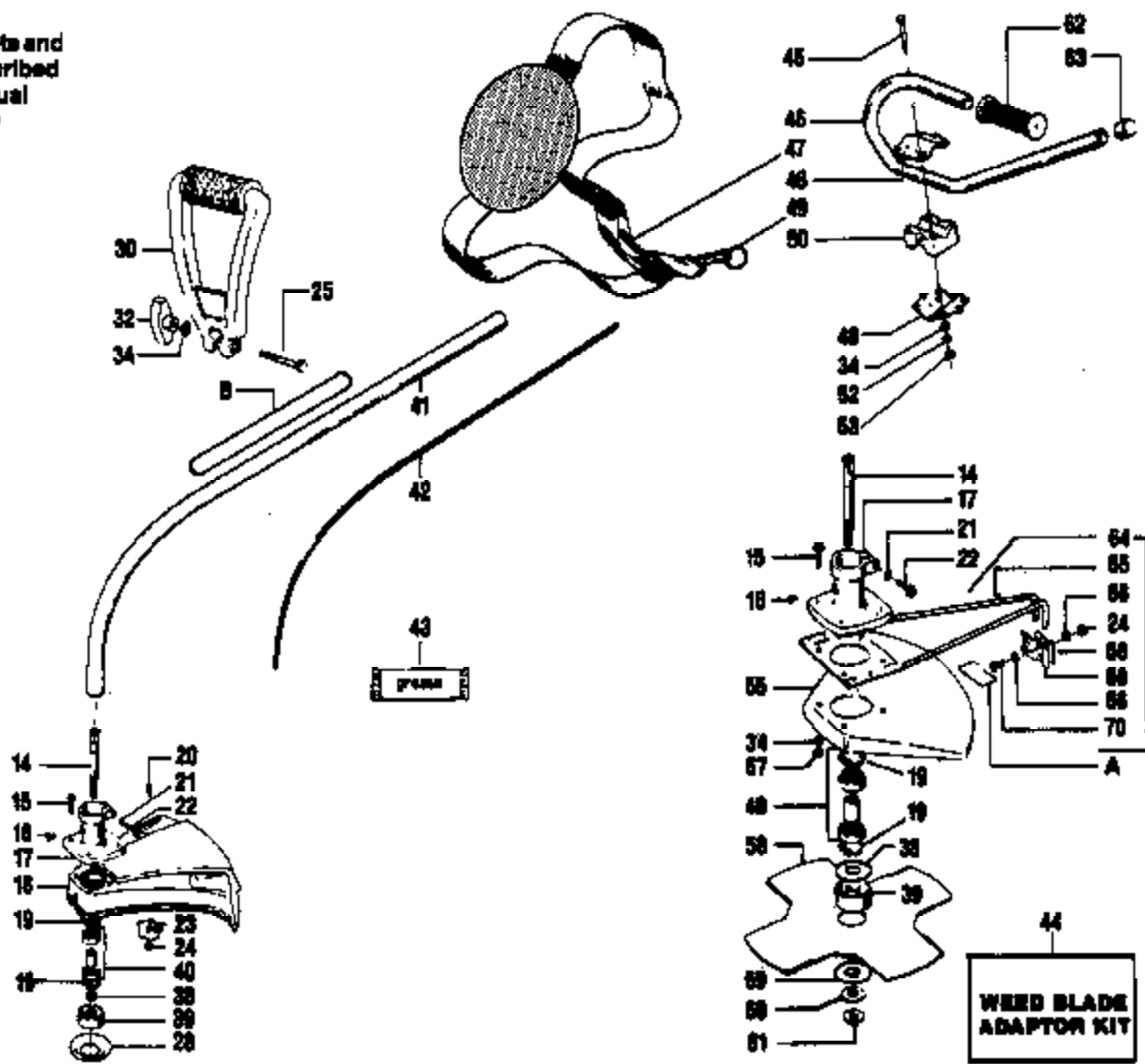
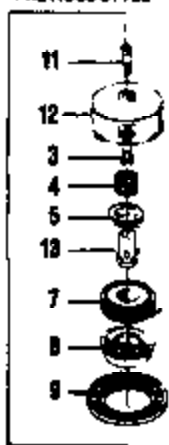
1700 Gas Turbine Page 2 of 11
 CARBURETOR WA-79 & 149

WARNING
 All repairs, adjustments and maintenance not described in the Operator's Manual must be performed by qualified service personnel.

CURRENT STYLE



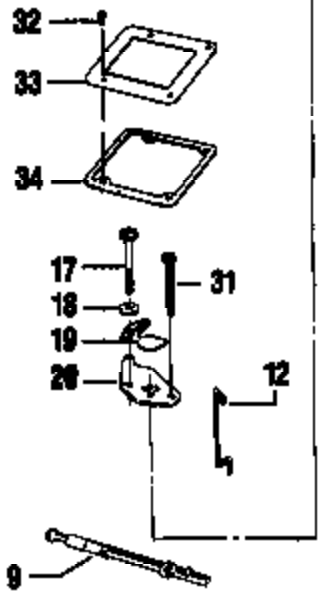
PREVIOUS STYLE



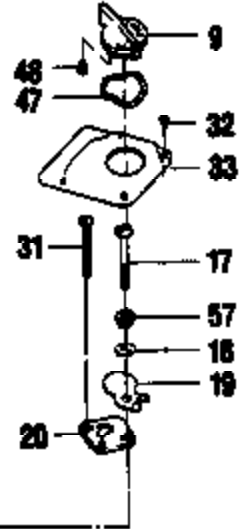
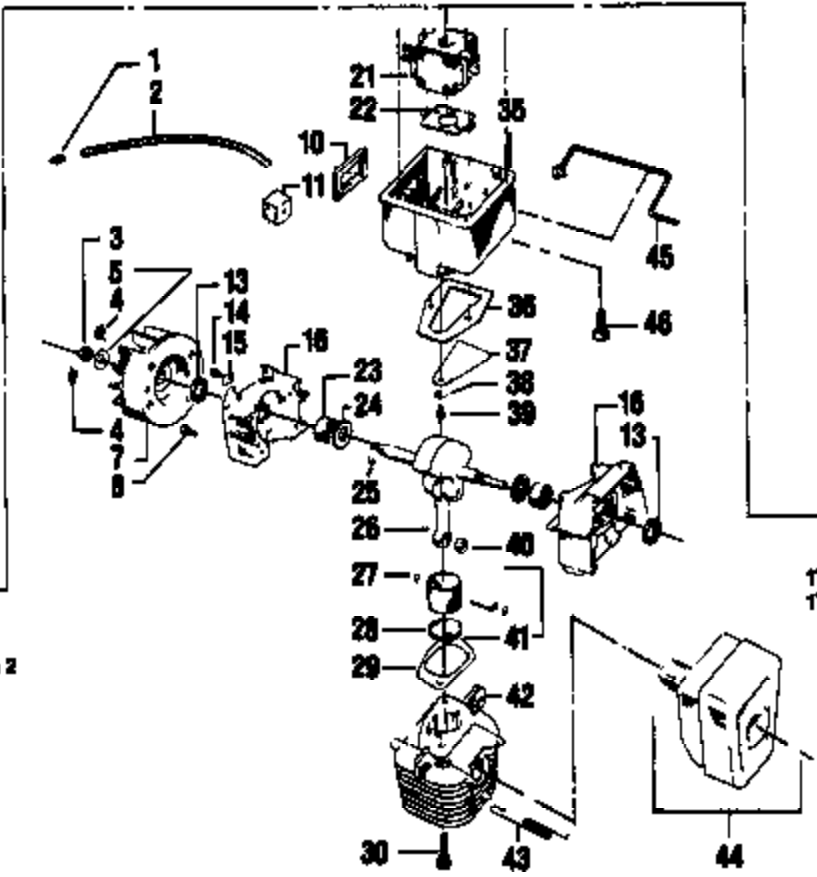
Ref #	Part Number	Qty	Description
1	530093894	1	Cutting Head Assembly - Current Style (Inc. #2-9)
2	530093896	1	Hub w/Line Saver - Current Style
3	530093898	1	Line Saver
4	530092067	1	Spring
5	530092068	1	Adaptor-Spring
6	530093897	1	Drive Gear - Current Style
7	952701523	1	Spool w/Line
8	530093387	1	Release Button
9	530092133	1	Cover
11	530092064	1	Bolt - Drive Adaptor - Previous Style
12	530092131	1	Hub w/Line Saver-Previous Style
13	530092069	1	Drive Gear - Previous Style
14	530093846	1	1700 Gas Trimmer Part of 11
15	530092243	4	CUTTING HEAD & DRIVE SHAFT Screw w/o Blade Model 1700 blade.
15	530625509	4	Screw w/Blade Model 1700 blade.
16	530015518	1	Screw - #10 - 16 x 1/4" - Self Tapping
17	530093214	1	Bearing Housing Ass'y (Inc. #14,19,21,22, 38,39,40)
18	530093885	1	Shield Assembly - 18" (Inc. #20,23,24)
19	530091783	2	Retainer - Bearing
20	530015037	2	Screw - #10 - 24x5/8" - Hex Hd.-Line Limiter
21	530092227	1	Washer - #1/4 Int. Tooth Lock
22	530625509	1	Screw - Pinch Clamp - #1/4-20 x 1"
23	530093853	1	Line Limiter
24	530015653	4	Nut - #10 - 24 - Locking
25	530015737	1	Hex Bolt
28	530092218		WASHER, GRASS Z
	920092218	1	SCREW KAAZ #
32	530092059	1	Knob - #1/4 - 20
34	530015149	9	Washer - #1/4 Flat
38	530092216	1	Washer - #3/8 - Dust Cup
39	530092359	1	Dust Cup
40	530069086	1	Bearings & Spacer Kit
41	530093845	1	Drive Shaft Housing
42	530093831	1	Flexible Drive Shaft
43	530030102	1	Flex Shaft Lube
44	952701566	1	Weed Blade Adaptor Kit - 1700 w/o Blade (Inc.45-70) blade.
45	530015405	4	Bolt - #1/4 - 20x2" Hex
46	530093169	1	Barrier Handlebar
47	530094417	1	Shoulder Strap
48	530092079	2	Clamp - Handlebar
49	530092231	1	Key Ring - Shoulder Strap
50	530092081	1	Block - Handlebar
52	530001642	4	Washer - #1/4 Lock
53	530015197	4	Nut - #1/4 - 20 Hex
55	530010724	1	Shield - Aluminum
57	530001615	4	Nut - Deflector to Brg. Hsg. (#1/4-20)
58	952701546	1	Blade - 4 Tooth Weed
59	530093751	1	Washer - #3/8 Flat
60	530015492	1	Washer - #1-1/8-3/8 Bevel
61	530093748	1	Flange Nut - #3/8-24
62	530092086	1	Grip - Handlebar
63	530092192	1	End Cap - Handlebar
64	530092244	1	Line Limiter Ass'y. (Inc. #65-70)
65	530092226	1	Line Limiter Bracket
66	530015123	4	Washer
68	530092224	1	Clamp - Line Limiter Front

Ref #	Part Number	Qty	Description
69	530092234	1	Clamp - Line Limiter Rear (Inc. Blade)
70	530015557	2	Screw - #10 - 24 x 3/8"
A	530024886	1	Decal - Blade Rotation Warning
B	530027429	1	Decal - Safety Label Upper
B	530027404	1	Decal - Safety Label Lower
	952701569	1	Tap-N-Go Repair Kit for Old Style - Optional (Inc. #4-6,8-9 & 13)
		1	Operator's Manual
	530066913	1	Operator's Manual 1700 w/o Blade
	530066917	1	Operator's Manual 1700 w/Blade
	530060768	1	Carton (Not a serviceable part)

1700 Gas Trimmer
CUTTING HEAD & DRIVE SH



1700 W/O BLADE — TYPE 1 & 2
1700 W/BLADE — TYPE 1



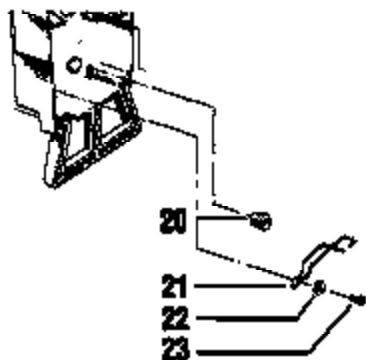
1700 W/O BLADE — TYPE 3 & 4
1700 W/BLADE — TYPE 2 & 3

Ref #	Part Number	Qty	Description
1		1	Fuel Line Fitting
1	530025472		1700 w/o Blade - Type 1 & 2 1700 w/Blade - Type 1
1	530026981		1700 w/o Blade - Type 3 & 4 1700 w/Blade - Type 2 & 3
2		1	Fuel Line - Carburetor (Bulk 8150)
2	530021044		1700 w/o Blade - Type 1 & 2 1700 w/Blade - Type 1
2	530021073		1700 w/o Blade - Type 3 & 4 1700 w/Blade - Type 2 & 3
3	530626605	1	Nut - Flywheel (5/16 x 24)
4	530042059	2	Spring - Starter Dog
5	530015127	1	Washer - Flywheel
7	530039114	1	Flywheel Ass'y (Inc. #5)
8	530015369	4	Screw - Crankcase
9		1	Knob - Choke
9	530024303		1700 Gas Trim Blade - Type 1 & 2 1700 w/Blade - Type 1
9	530027101		ENGINE BLOCK 1700 w/o Blade - Type 3 & 4 1700 w/Blade - Type 2 & 3
10	530019105	1	Seal - Carburetor Case
11	530023373	1	Boot - Choke Wire
12		1	Wire - Choke
12			1700 w/o Blade - Type 1 - See Service Ref. 4.
12	530026236		1700 w/o Blade - Type 2; 1700 w/Blade - Type 1
13	530019059	2	Seal - Crankshaft
14	530015004	1	Screw - Clamp
15	530024651	1	Clamp - Choke Wire
16	530010757	1	Crankcase Ass'y (Inc. #13,23 & Qty. 10 of #8)
17		1	Screw
17	530015404		1700 w/o Blade - Type 1 & 2; 1700 w/Blade - Type 1
17	530015630		1700 w/o Blade - Type 3 & 4; 1700 w/Blade - Type 2 & 3
18	530015254	1	Wave Washer
19		1	Shutter - Choke
19	530024558		1700 w/o Blade - Type 1 & 2; 1700 w/Blade - Type 1
19	530026772		1700 w/o Blade - Type 3 & 4; 1700 w/Blade - Type 2 & 3
20		1	Guide Plate
20			1700 w/o Blade - Type 1 - See Service Ref. 4.
20	530026237		1700 w/o Blade - Type 2; 1700 w/Blade - Type 1
20	530026797		1700 w/o Blade - Type 3 & 4; 1700 w/Blade - Type 2 & 3
21	530035183	1	Carburetor (for Type 1) - See Service Ref. 2.
22	530019115	1	Gasket - Carburetor
23	530032029	2	Bearing - Crankshaft
24	530015351	2	Thrust Washer - Crankshaft
25	530015126	1	Key - Flywheel
26		1	Crankshaft & Rod Ass'y.
26	530026675		1700 w/o Blade - Type 1,2 & 3; 1700 w/Blade - Type 1 & 2
26	530010844		1700 w/o Blade - Type 4; 1700 w/Blade - Type 3
27	530015162	2	Retainer - Wrist Pin
28		1	Piston Ring
28	530024302		1700 w/o Blade - Type 1
28	530024929		1700 w/o Blade - Type 2 & 3; 1700 w/Blade - Type 1 & 2
28	530026681		1700 w/o Blade - Type 4; 1700 w/Blade - Type 3
29	530019111	1	Gasket - Cylinder
30	530015239	2	Screw - Cylinder (#1/4 - 20 x 3/4" Socket Hd)
31		1	Screw
31	530015379		1700 w/o Blade - Type 1 & 2; 1700 w/Blade - Type 1
31	530015674		1700 w/o Blade - Type 3 & 4; 1700 w/Blade - Type 2 & 3
32	530015235	4	Screw - Carburetor Cover - #8 - 18x9/16"
33		1	Cover - Carburetor Case
33			1700 w/o Blade - Type 1 See Service reference
33	530026029		1700 w/o Blade - Type 2; 1700 w/Blade - Type 1

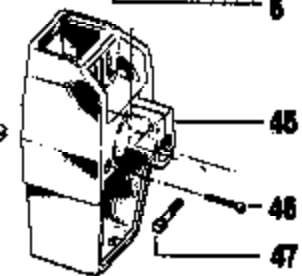
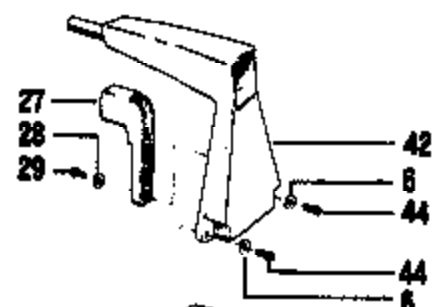
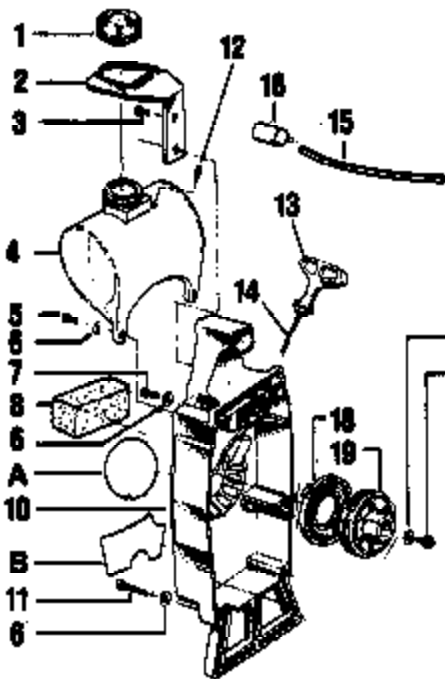
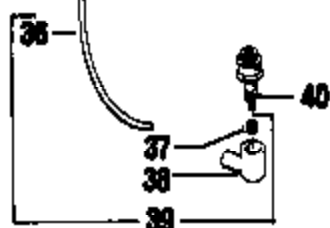
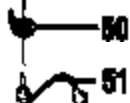
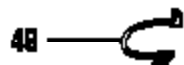
Ref #	Part Number	Qty	Description
33	530027100		1700 w/o Blade - Type 3 & 4; 1700 w/Blade - Type 2 & 3
34	530019112	1	Gasket - Carburetor Case Cover - See Service Ref. 4.
35	530010453	1	Carburetor Case Assembly
36	530019108	1	Gasket - Carburetor Case/Crankcase
37	530024438	1	Reed Valve
38	530023367	1	Washer - Reed Valve
39	530015241	1	Screw - Reed Valve - (#6 - 19 x 5/16")
40		1	Bearing - Wrist Pin
40	530032057		1700 w/o Blade - Type 1,2 & 3; 1700 w/Blade - Type 1 & 2
40	530032092		1700 w/o Blade - Type 4; 1700 w/Blade - Type 3
41		1	Piston Kit
41	530022198		1700 w/o Blade - Type 1
41	530022238		1700 w/o Blade - Type 2 & 3; 1700 w/Blade - Type 1 & 2
41	530069241		1700 w/o Blade - Type 4; 1700 w/Blade - Type 3
42		1	Cylinder
42	530012070		1700 w/o Blade - Type 1
42	530012071		1700 w/o Blade - Type 2,3 & 4; 1700 w/Blade - Type 1,2 & 3
42	530012191		1700 w/Blade & 1700 w/o Blade
43	530024903	2	Spring - Muffler Attachment
44		1	Muffler Ass'y - See Service Ref. 8.
45	530027190	1	Throttle Wire - 1700 w/o Blade - Type 3 & 4; 1700 w/Blade - Type 2 & 3
46	530015723	1	Screw - 1700 w/o Blade - Type 3 & 4; 1700 w/Blade - Type 2 & 3
47	530015741	1	Wave Washer - 1700 w/o Blade - Type 3 & 4; 1700 w/Blade - Type 2 & 3
48	530015740	1	Screw 1700 w/o Blade - Type 3 & 4 1700 w/Blade - Type 2 & 3
57	530015673	1	Spacer - 1700 w/o Blade - Type 3 & 4;
57			, 1700 w/Blade - Type 2 & 3
58	530069219	1	Engine Gasket Kit (Inc.10,13,22,29,34,36,)

1700 Gas Trimmer Page 8 of 11
ENGINE BLOCK

1700 W/O BLADE — TYPE 1, 3 & 4
1700 W/BLADE — TYPE 2 & 3



1700 W/O BLADE — TYPE 2
1700 W/BLADE — TYPE 1



Ref #	Part Number	Qty	Description
1	530010729	1	Fuel Cap Assembly (Inc. O-Ring)
2	530025377	1	Bracket - Fuel Tank
3	530092243	1	Screw - Bracket/Handle-(1/4 - 10 x 1-1/8)
4	530010771	1	Fuel Tank Ass'y. 1700 w/o Blade - Type 1 & 2
4	530010771	1	Fuel Tank Ass'y. 1700 w/Blade - Type 1
4	530010887	1	Fuel Tank Ass'y. 1700 w/o Blade - Type 3 & 4
4	530010887	1	Fuel Tank Ass'y. 1700 w/Blade Type 2 & 3
5	530015509	2	Screw - Fuel Tank/Fan Hsg.-(#10x1")
6	530015123	9	Washer
7	530015168	2	Screw - Fan Hsg. Top-#10-24x5/8" Fil.
8	530024371	1	Air Filter
10	530011909	1	Fan Housing 1700 w/o Blade - Type 1 & 2
10	530011909	1	Fan Housing 1700 w/Blade - Type 1
10	530010891	1	Fan Housing 1700 w/o Blade - Type 3 & 4
10	530010891	1	Fan Housing 1700 w/Blade - Type 2 & 3
11	530015305	2	Screw - Fan Housing - Bottom-#10-24x1-3/16" Fil.
12	530026119	1	Check Valve - Duck Bill
13	530026735	1	Starter Handle
14	530069232	1	Rope Kit
15	530021045	1	Fuel Line - 1700 w/o Blade - Type 1 & 2
15	530021045	1	Fuel Line - 1700 w/Blade - Type 1
15	530069247	1	Fuel Line - 1700 w/o Blade - Type 3 & 4
15	530069247	1	Fuel Line - 1700 w/Blade - Type 2 & 3
16	530091878	1	Fuel Pick-Up Ass'y. 1700 w/o Blade - Type 1 &
16	530091878	1	Fuel Pick-Up Ass'y. 1700 w/Blade - Type 1
16	530010897	1	Fuel Pick-Up Ass'y. 1700 w/Blade - Type 3 & 4
16	530010897	1	Fuel Pick-Up Ass'y. 1700 w/Blade - Type 2 & 3
17		1	Ass'y Rope & Handle - Starter 1700 w/o Blade Type 1 -See Service Ref. 3.
18		1	Starter - Recoil Spring 1700 w/o Blade Type 1 - See Service Ref. 3.
18	530042067	1	Starter - Recoil Spring 1700 w/o Blade Type 2,3 & 4
19		1	Starter - Pulley 1700 w/o Blade - Type 1 -
19			, See Service Ref. 3.
19	530026048	1	Starter - Pulley 1700 w/o Blade - Type 2,3,4
20	530026679	1	Button - Kill Switch
21		1	Spring - Kill Switch - See Service Ref. 6.
22	530015382	1	Washer - Kill Switch
23	530015407	1	Screw - Kill Switch (#8 - 16x3/8) - See Service Ref. 6.
24	530030054	1	Crankcase Sealant - 3 oz. Tube
26	530015479	1	Screw - Starter Pulley (#10-24 x 3/4" - Hex Head)
27	530025342	1	Trigger - Throttle
28	530015382	1	Washer - Throttle
29	530015407	1	Screw - Throttle - #8 - 16 x 3/8"
30	530069196	1	Kit - Washer - Clutch
31	530069194	1	Kit - Clutch Ass'y - See Service Ref. 1 & 7
32	530025995	1	Electrical Tab 45 degree - 1700 w/o Blade - Type 2; 1700w/Blade - Type 1
33	530015128	2	Screw
34	530069181	1	Ignition Module Kit
35	530024435	1	Grommet - Plug Wire
36	530039082	1	Lead Wire - High Tension
37	530003933	1	Connector - Spark Plug
38	530003934	1	Boot - Spark Plug

1700 Gas Trimmer Page 10 of 11
STARTER, & SHROUD

Ref #	Part Number	Qty	Description
39	502039103	1	High Tension Lead Ass'y (Inc. #32,37 & 38)
40	530030077	1	Spark Plug (CJ-14)
41	530010796	1	Drum and Coupling Ass'y.
42	530025704	1	Handle
43	530015123	2	Washer - Flat - Shroud
44	530015163	2	Screw - Shroud (Top) #10 - 24 x 7/8"
45	530011778	1	Shroud
47	530625509	1	Bolt, Pinch Clamp (#1/4 - 20 x 1" - Hex Cap)
48	530023575	1	Nut Grounding Switch
49	530039122	1	Wire Lead - Grounding Switch
50	530015412	1	Washer - Grounding Switch
51	530069182	1	Grounding Switch Kit - (Inc. #32,48,49 & 50)
			1700 Gas Trimmer Page 11 of 11
A	530025708	1	Decal - Starting Instructions STARTER, & SHROUD Decal - Starting Instructions 1700 w/o Blade Type 1 Not Shown.
A	530026104	1	Decal - Starting Instructions 1700 w/o Blade Type 2; 1700 w/Blade - Type 1 Not Shown.
A	530027312	1	Decal - Starting Instructions 1700 w/o Blade Type 3 & 4 Not Shown.
A	530027311	1	Decal - Starting Instructions 1700 w/Blade Type 2 & 3 Not Shown.
B	530026745	1	Decal - Choke/Off 1700 w/o Blade - Type 1
B	530026604	1	Decal - Choke/Off 1700 w/o Blade - Type 2
B	530027116	1	Decal - Choke/Off 1700 w/o Blade - Type 3
B	530027457	1	Decal - Choke/Off 1700 w/o Blade - Type 4
B	530026745	1	Decal - Choke/Off 1700 w/Blade Type 1
B	530027113	1	Decal - Choke/Off 1700 w/Blade Type 2
B	530027116	1	Decal - Choke/Off 1700 w/Blade Type 3
	530025712	1	Decal - Shroud (Right)
	530025713	1	Decal - Shroud (Left)