

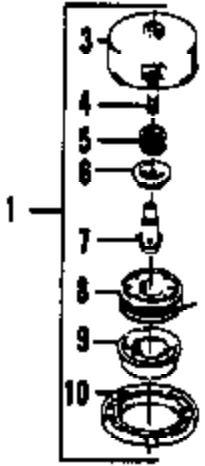
Ref #	Part Number	Qty	Description
1	35017	1	Screw - Pump Cover
2	35154	1	Pump Cover Ass'y WA-79 (# 35148) (Incl. # 41)
2	35184	1	Pump Cover Ass'y WA-149 (# 35183) (Incl. # 41)
3	35135	1	Diaphragm - Pump (WA-79 - # 35148 Only) Contents in Gasket/Diaphragm Kit # 35145 or #35186; Contents in Kwik Kit # 35144 or # 35185.
4	35156	1	Screw -Idle Adjustment
5	35009	1	Gasket - Pump WA-79 (# 35148) Contents in Gasket/Diaphragm Kit # 35145 or #35186; Contents in Kwik Kit # 35144 or # 35185.
5	35164	1	Gasket - Pump WA-149 (# 35183) Contents in Gasket/Diaphragm Kit # 35145 or #35186; Contents in Kwik Kit # 35144 or # 35185.
6	35178	1	Screen -Inlet Contents in Kwik Kit # 35144 or # 35185.
7	35152	1	Diaphragm - Pump WA-79 (# 35148) Contents in Gasket/Diaphragm Kit # 35145 or #35186; Contents in Kwik Kit # 35144 or # 35185.
7	35166	1	Diaphragm - Pump WA-149 (# 35183) Contents in Gasket/Diaphragm Kit # 35145 or #35186; Contents in Kwik Kit # 35144 or # 35185.
8	35133	1	Valve - Throttle
9	35007	1	Clip - Throttle Shaft
10	35138	1	Spring - Throttle Return
11	35015	1	Screw - Throttle Valve Contents in Kwik Kit # 35144 or # 35185.
12	35132	1	Shaft Assembly - Throttle
13	35023	1	Spring - Idle Needle
14	35141	1	Needle - Idle
15	35139	1	Spring -Metering Lever Contents in Kwik Kit # 35144 or # 35185.
16	35106	1	Valve - Inlet Needle Contents in Kwik Kit # 35144 or # 35185.
17	35031	1	Lever - Metering Contents in Kwik Kit # 35144 or # 35185.
18	35036	1	Spring - Hi Speed Needle
19	35142	1	Needle - Hi Speed
20	35028	1	Pin - Metering Lever Contents in Kwik Kit # 35144 or # 35185.
21	35016	1	Screw - Metering Lever Pin
22	35147	1	Gasket - Circuit Plate Contents in Gasket/Diaphragm Kit # 35145 or #35186; Contents in Kwik Kit # 35144 or # 35185.
23	35042	1	Plate - Circuit
24	35137	1	Screw - Circuit Plate Contents in Kwik Kit # 35144 or # 35185.
25	35151	1	Gasket - Metering Diaphragm Contents in Gasket/Diaphragm Kit # 35145 or #35186; Contents in Kwik Kit # 35144 or # 35185.
26	35014	1	Diaphragm Assembly - Metering Contents in Gasket/Diaphragm Kit # 35145 or #35186; Contents in Kwik Kit # 35144 or # 35185.

1500 Gas Trimmer Page 2 of 8
 Carburetor Assembly PN 351

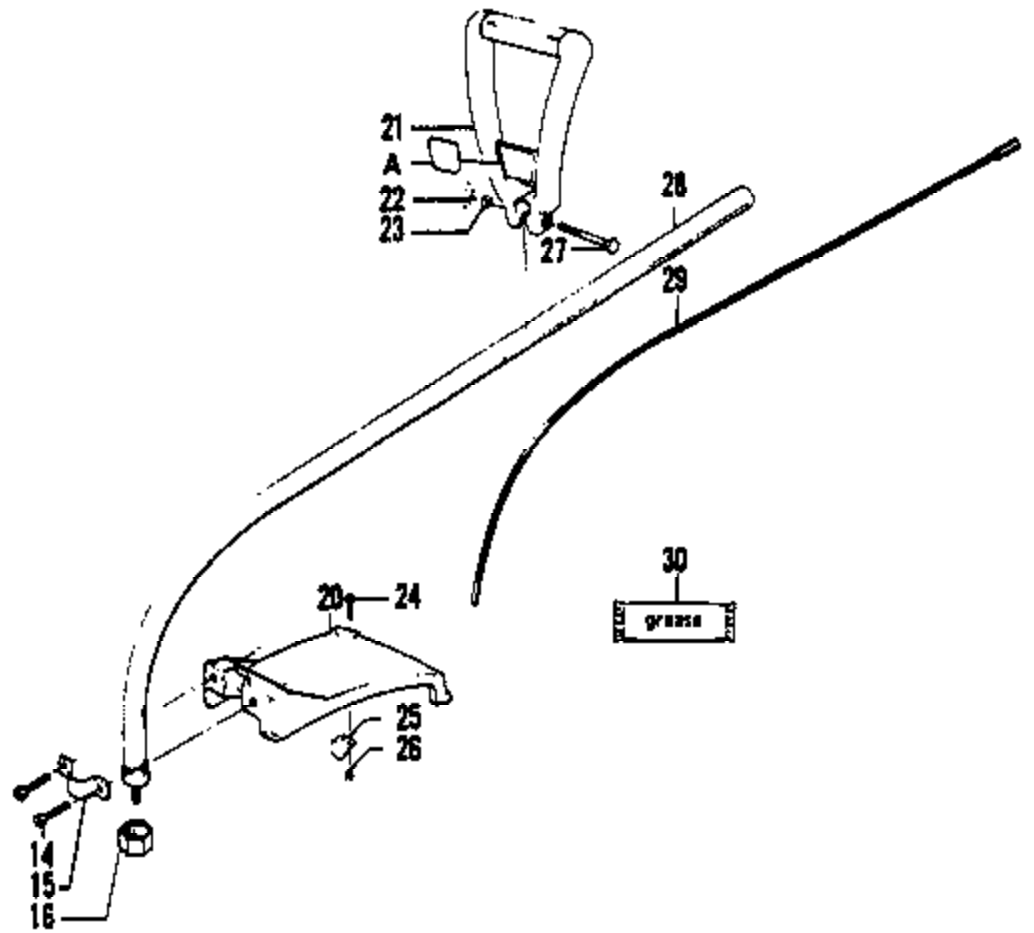
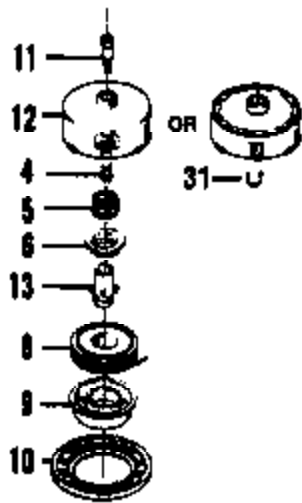
Ref #	Part Number	Qty	Description
27	35153	4	Screw - Assembly - Metering Cover & Throttle Shaft Clip
28	35149	1	Cover - Metering Diaphragm
	35144	1	Kit - Kwik Kit Repair WA-79 (# 35148) (Not Shown)
	35185	1	Kit - Kwik Kit Repair WA-149 (# 35183) (Not Shown)
	35145	1	Kit - Gasket / Diaphragm WA-79 (# 35148) (Not Shown); Contents in Kwik Kit # 35144 or # 35185.
	35186	1	Kit - Gasket / Diaphragm WA-149 (# 35183) (Not Shown); Contents in Kwik Kit # 35144 or # 35185.
	35183		Carburetor
	35148		Carburetor

1500 Gas Trimmer Page 3 of 8
Carburetor Assembly PN 351

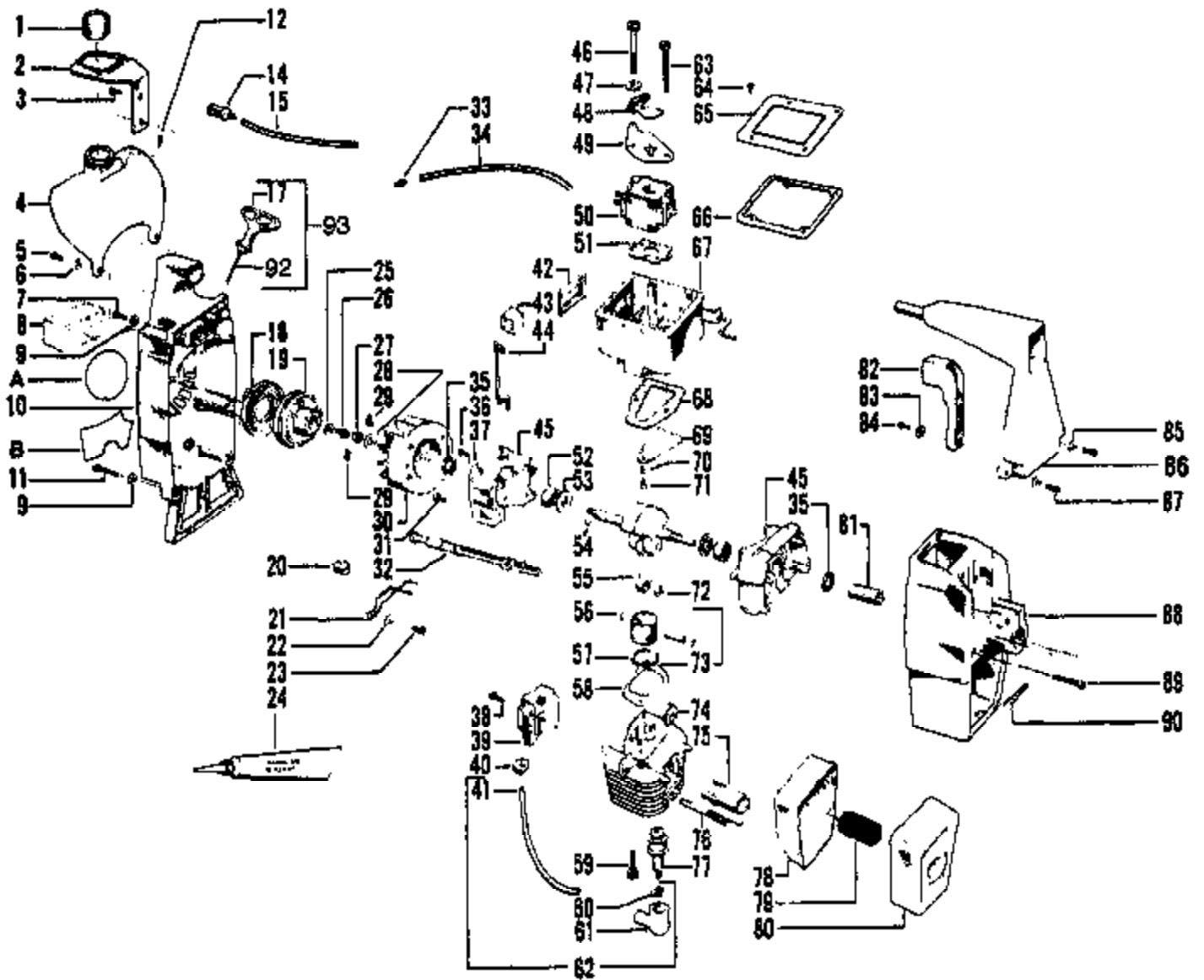
NEW STYLE



OLD STYLE



Ref #	Part Number	Qty	Description
1	93894	1	Cutting Head Ass'y - New Style
3	93896	1	Hub w/Line Saver
4	93898	1	Line Saver
5	92067	1	Spring
6	92068	1	Adaptor - Spring
7	93897	1	Drive Gear
8	702512	1	Spool w/Line
9	93387	1	Release Button
10	92133	1	Cover
11	92064	1	Bolt - Drive Adaptor - Old Style
12	92131	1	Hub w/Line Saver - Old Style
13	92069	1	Drive Gear - Old Style
14	92243	2	Screw - Shield
15	93653	1	Drive Shaft Assembly Shield (1/4 - 20 x 1-3/4)
16	93716	1	Dust Cup
20	94441	1	Shield
	69213	1	Shield Ass'y (Incl. #14, 20, 24, 25 & 26)
21	93729	1	Assist Handle
22	91373	1	Wing Nut - 1/4 - 20
23	92062	1	Washer - 1/4 Flat
24	15337	2	Screw- Line Limiter (10- 24 x 1)
25	93853	1	Limiter - Line
26	15064	2	Nut - Line Limiter
27	92061	1	Hex Bolt - 1/4 - 20 x 2-1/4
28	93757	1	Drive Shaft Ass'y (Incl. # 13)
29	93575	1	Flexible Shaft Ass'y
30	30102		Flex Shaft Lube (Optional)
	701569		Tap-N-Go Repair Kit For Old Style Only; (Incl. #5, 6, 9, 10 & 13)
31	92134	1	Line Saver - Old Style
A	26274	1	Decal - "D" Handle Warning Decal



Ref #	Part Number	Qty	Description
1	10729	1	Fuel Cap Assembly (Incl #91)
2	25377	1	Bracket - Fuel Tank
3	92243	1	Screw -Bracket/Handle (1/4 - 10 x 1-1/8)
4	10522	1	Fuel Tank Assembly (Incl. # 1, 4, 12, & 16)
5	15509	1	Screw- Fuel Tank/Fan Housing (10-1)
6	15512	2	Washer - Fuel Tank/Fan Housing
7	15168	2	Screw -Fan Hsg. Top #10 - 24 x 5/8 Fit.
8	24371	1	Air Filter
9	15274	4	Washer - Flat - Fan Housing
10	11909	1	Fan Housing
11	15305	2	Screw -Fan Housing - Bottom - #10 - 24 x 1-3/16 Fil.
12	26119	1	Check Valve - Duck Bill
14	91878	1	Fuel Pick-Up Ass'y.
15	21045	1	Fuel Pick-up
17	26735	1	Handle - Starter
18	42067	1	Starter - Recoil Spring
19	26048	1	Starter - Pulley
20	24366	1	Button - Kill Switch
21	25378	1	Spring - Kill Switch
22	15382	1	Washer - Kill Switch
23	15407	1	Screw- Kill Switch (8 x 3/8)
24	30054		Crankcase Sealant - 3 oz. tube (Optional)
25	15123	1	Washer - Starter Pulley
26	15479	1	Screw - Starter Pulley (# 10 - 3/4 - Hex Head)
27	626605	1	Nut - Flywheel
28	42059	7	Spring - Starter Dog
29	15127	1	Washer - Flywheel
30	39114	1	Flywheel Ass'y (Incl. # 28)
31	15168	4	Screw - Crankcase (# 10 - 24 x 5/8 Fil.)
32	24303	1	Knob-Choke
33	25472	1	Fitting - Fuel Line
34	21044	1	Fuel Line - Carburetor
35	19059	2	Seal - Crankshaft
36	15004	1	Screw - Clamp # 8 - 32 x 5/16 Pan.
37	24651	1	Clamp - Choke Wire
38	15128	2	Screw -Ignition Module (8 - 32 x 3/4 - Sems)
39	69181	1	Ignition Module
40	24435	1	Grommet - Plug Wire
41	39082	1	Lead Wire - High Tension
42	19105	1	Seat - Carburetor Case
43	23373	2	Boot - Choke Wire
44	24305	1	Wire - Choke
45	10316	1	Crankcase Ass'y (Incl. # 35 & 52)
46	15404	1	Screw - Carburetor (Shoulder # 10 - 24)
47	15254	1	Wave Washer
48	24558	1	Shutter - Choke
49	26237	1	Plate - Guide, Choke Wire
50	35183	1	Carburetor
51	19115	1	Gasket Carburetor
52	32058	2	Bearing - Crankshaft
53	15351	2	Thrust Washer - Crankshaft
54	15126	1	Key - Flywheel
55	22202	1	Crankshaft & Rod Assembly
56	15162	2	Retainer - Wrist Pin
57	24302	1	Piston Ring
58	19111	1	Gasket Cylinder

1500 Gas Trimmer Page 7 of 8
 Engine Assembly

Ref #	Part Number	Qty	Description
59	15239	2	Screw - Cylinder (1/4 - 20 x 3/4 Socket Head)
60	3933	1	Connector - Spark Plug
61	3934	1	Boot - Spark Plug
62	39103	1	High Tension Lead Ass'y (Incl. # 41, 60 & 61)
63	15379	1	Screw-Carburetor (# 10 - 24 Fil.)
64	15235	4	Screw Carburetor Cover (8 - 18 x 9/16)
65	24355	1	Cover Carburetor Case
66	19112	1	Gasket - Carburetor Case Cover
67	10453	1	Carburetor Case Assembly
68	19108	1	Gasket Carburetor Case/Crankcase
69	24438	1	Reed Valve
70	23367	1	Washer - Reed Valve
71	15241	1	Screw - Reed Valve (6 - 19 x 5/16)
72	32057	1	Bearing - Wrist Pin
73	22198	1	Piston Ass'y (Incl. # 56, 57 and Pin)
74	12070	1	Cylinder
75	26949	1	Diffuser Muffler
76	24903	2	Spring - Muffler Attachment
77	30058	1	Spark Plug (RCJ-8)
78	24362	1	Body Muffler
79	24364	1	Screen-Spark Arrestor
80	24361	1	Cover-Muffler
81	93694	1	Coupling - Hex Drive
82	25342	1	Trigger - Throttle
83	15382	1	Washer - Throttle
84	15407	1	Screw - Throttle (8 - 16 x 3/8)
85	15274	2	Washer - Flat - Shroud
86	25704	1	Handle
87	15163	2	Screw - Shroud (Top) - (10 - 24 x 7/8)
88	11778	1	Shroud
89	15376	2	Screw - Shroud (Bottom) - # 10 - 24 x 1-1/2 Fil.
90	93802	1	Bolt, Pinch Clamp (1/4 - 20 x 1 - Hex Cap)
91	19136	1	"O" Ring - Fuel Cap (Not shown)
92	22290	1	Rope (3 1/2 Ft.)
93	26792	1	Rope & Handle - Starter Ass'y
A	25846	1	Decal - Starting instructions
B	25845	1	Decal - Choke / OFF
	25848	1	Decal - Shroud (Right) Not Shown
	25849	1	Decal - Shroud (Left) Not Shown

1500 Gas Trimmer Page 8 of 8
 Engine Assembly