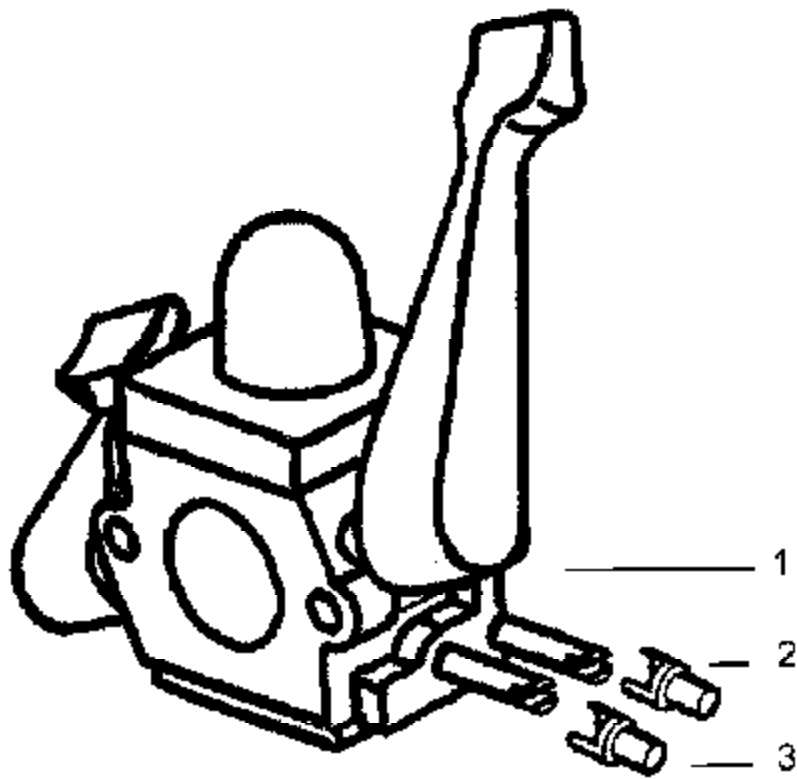


Carburetor Assembly Part Number 530071485 - (C1Q-W11)



Carb.
Repair
Kit

Gasket/
Dia.
Kit

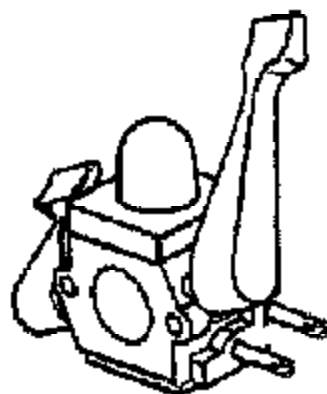
4

5

| Ref # | Part Number | Qty | Description |
|-----------|-------------|-----|-------------------------------|
| 1 | 530071465 | | Assy-Carb. Zama (C1Q-W11) |
| 2 | 530038479 | | Cap-Limiter (high) brown |
| 3 | 530038478 | | Cap-Limiter (low) tan |
| 4 | 530071475 | | Kit-Carb. Repair |
| 5 | 530071489 | | Kit-Dia. (GND-34) |
| 530071465 | 530071465 | | Carburetor Assembly (C1Q-W11) |

WT200LE Gas Engine Type 40
 Carburetor Assembly (C1Q-V)

Kit - Carburetor Assy # 530071632 - C1Q-W11C



Note: No Repair kits are available for this carburetor, please order the complete assembly part number 530-071632 (C1Q-W11C)

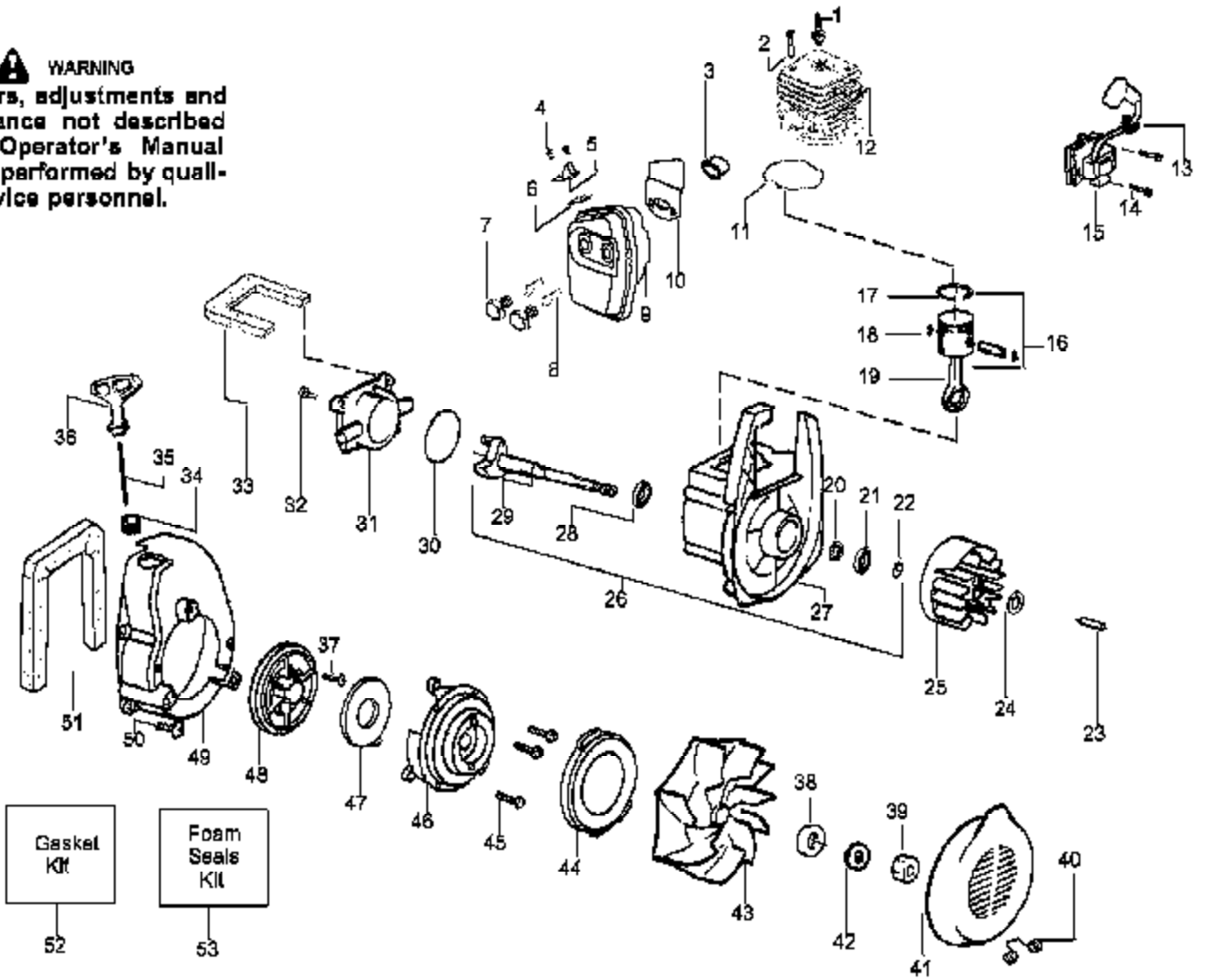
| Ref # | Part Number | Qty | Description |
|-----------|-------------|-----|------------------------------|
| 530071632 | 530071632 | | Kit-Carburetor Assy C1Q-W11C |

WT200LE Gas Engine Type
Carburetor Assembly (C1Q-V)

TYPE 1

WARNING

All repairs, adjustments and maintenance not described in the Operator's Manual must be performed by qualified service personnel.



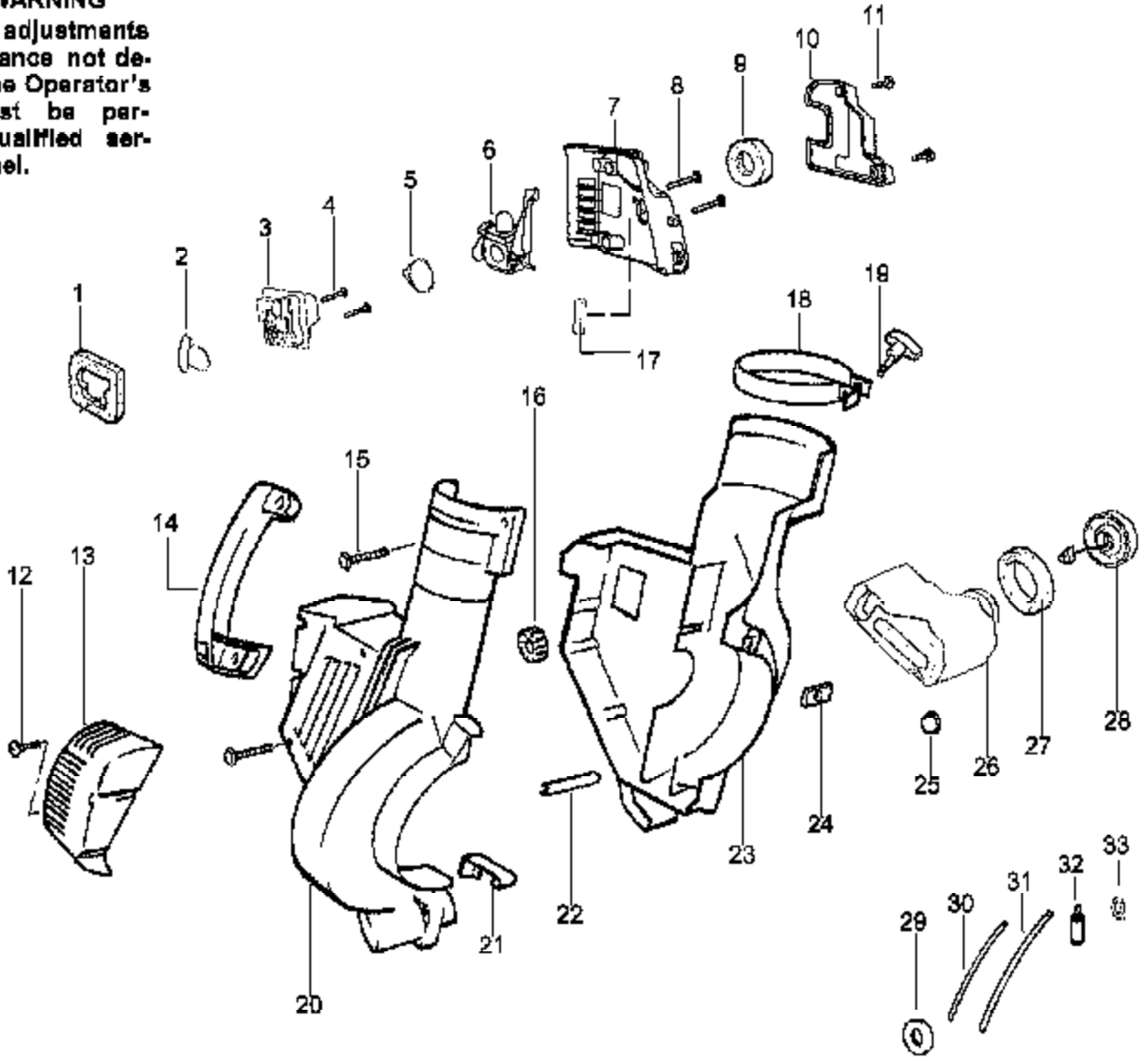
| Ref # | Part Number | Qty | Description |
|-------|-------------|--------------------|--|
| 1 | 952030201 | | Spark Plug (RCJ-8Y) |
| 2 | 530015953 | | Screw |
| 3 | 530055191 | | Insulator-Heat |
| 4 | 530055240 | | Screw |
| 5 | 530055241 | | Deflector-Muffler |
| 6 | 530071461 | | Kit-Spark Screen (incl. #4) |
| 7 | 530016369 | | Bolt-Muffler-external |
| 8 | 530016341 | | Screw-Muffler-Internal |
| 9 | 530071460 | | Kit-Muffler (incl. 4-6,8,10) |
| 10 | 530071458 | | Gasket-Baffle (kit) |
| 11 | 530071458 | | Gasket-Cylinder (kit) |
| 12 | 530071457 | | Kit-Cylinder |
| 13 | 530019182 | WT200LE Gas Engine | Gas Engine Type 40 |
| 14 | 530016357 | Engine Assembly | Grommet-Ign. Module Screw-Ignition Module |
| 15 | 530035505 | | Ignition Module |
| 16 | 530071357 | | Kit-Piston (Incl. 17 & 18) |
| 17 | 530055120 | | Piston Ring |
| 18 | 530015162 | | Retainer-Piston Pin |
| 19 | 530069945 | | Assy-Connecting Rod |
| 20 | 530019264 | | Seal-Crankcase |
| 21 | 530055728 | | Bearing-Outer |
| 22 | 530015941 | | Retainer Ring-C'haft |
| 23 | 530016190 | | Spacer-Flywheel |
| 24 | 530015149 | | Washer |
| 25 | 530039209 | | Assy-Flywheel |
| 26 | 530071456 | | Assy-Crankcase/Crank shaft (incl. 22,27,29) |
| 27 | 530012440 | | Assy-Crankcase (Incl. 20,21,28) |
| 28 | 530032125 | | Bearing-Inner |
| 29 | 530012452 | | Assy-Crankshaft |
| 30 | 530071458 | | O-ring-C/case (kit) |
| 31 | 530012443 | | Cover-Crankcase |
| 32 | 530015810 | | Screw |
| 33 | 530071459 | | Foam-219mm (kit) |
| 34 | 530029182 | | Eyelet-Flange |
| 35 | 530071467 | | Kit-Rope |
| 36 | 530049488 | | Handle-Starter |
| 37 | 530016326 | | Screw-Rope |
| 38 | 530016279 | | Washer-Flat |
| 39 | 530626605 | | Nut |
| 40 | 530402043 | | Spring-Return Cover |
| 41 | 530049313 | | Inlet Door |
| 42 | 530016240 | | Washer-Belleville |
| 43 | 530069817 | | Assy-Impeller |
| 44 | 530055106 | | Seal-Ring |
| 45 | 530016349 | | Screw |
| 46 | 530055101 | | Housing-Pulley |
| 47 | 530042086 | | Spring-Starter |
| 48 | 530071466 | | Kit-Starter Pulley |
| 49 | 530055102 | | Fan Housing |
| 50 | 530015810 | | Screw |
| 51 | 530071459 | | Foam-365mm (kit) |
| 52 | 530071458 | | Kit-Gasket |
| 53 | 530071459 | | Kit-Foam Seals |

TYPE 1

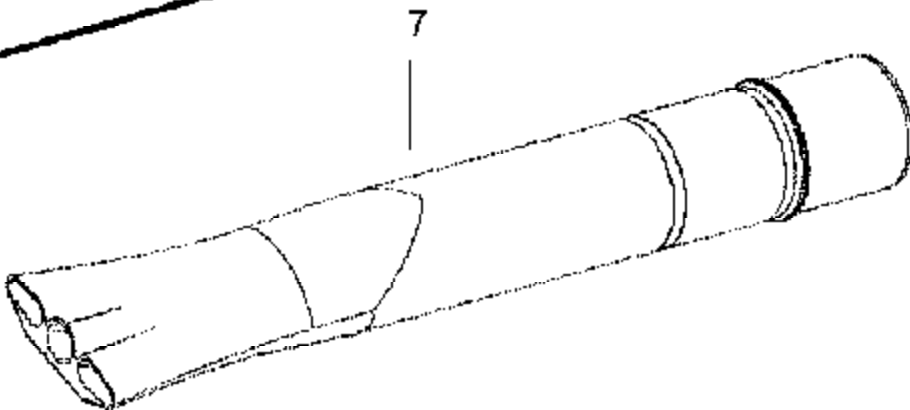
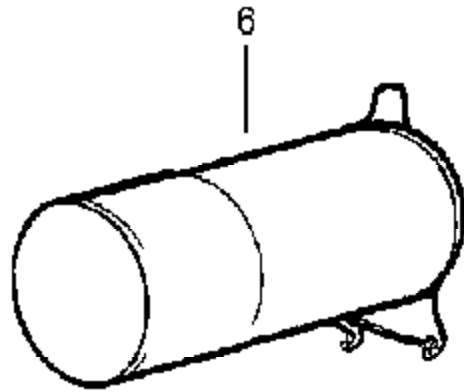
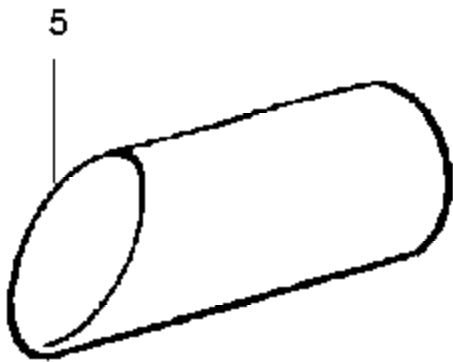
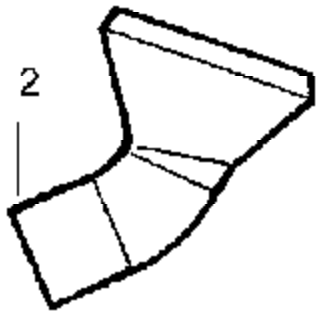
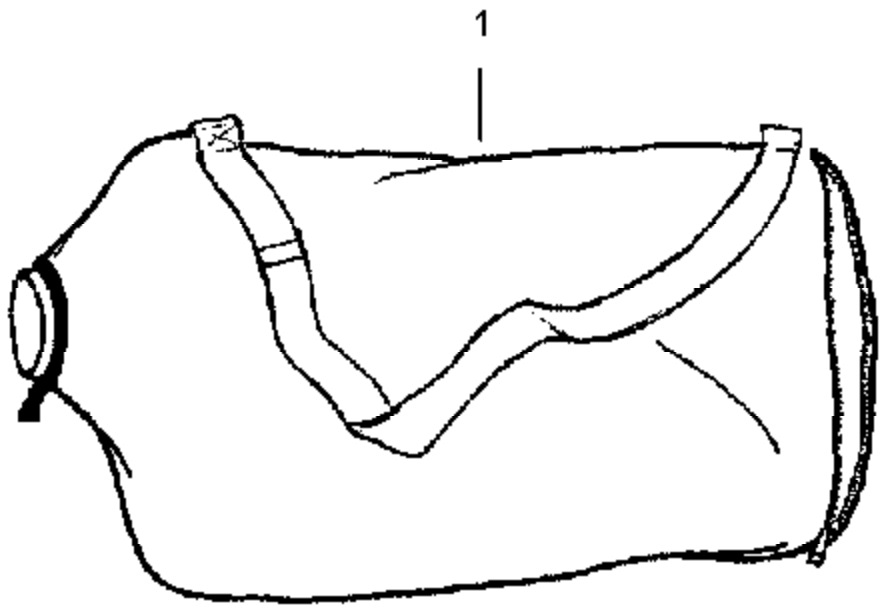


WARNING

All repairs, adjustments and maintenance not described in the Operator's Manual must be performed by qualified service personnel.



| Ref # | Part Number | Qty | Description |
|-------|-------------|----------|-----------------------------|
| 1 | 530071459 | | Air Dam (kit) |
| 2 | 530071458 | | Gasket-Adapter (kit) |
| 3 | 530035514 | | Carburetor Adaptor |
| 4 | 530016309 | | Screw |
| 5 | 530071458 | | Gasket-Carburetor (kit) |
| 6 | 530071465 | | Kit-Carb Ass'y (C1Q-W11) |
| 7 | 530056233 | | Air Box |
| 8 | 530016340 | | Screw-Carb. |
| 9 | 530049383 | | Filter-Air |
| 10 | 530056234 | | Cover-Air Filter |
| 11 | 530016354 | | Screw-Air Box Cover |
| 12 | 530015880 | | Screw |
| 13 | 530056235 | WT200LE | Gas Blower Type 1 |
| 14 | 530095469 | Assembly | Assy-Muffler Cover |
| 15 | 530015886 | Housing | Housing Assembly Type 1 |
| 16 | 530049323 | Handle | Handle |
| 17 | 530071459 | | Screw |
| 18 | 530016324 | | Isolator-Handle |
| 19 | 530016322 | | Foam 25.4mm (kit) |
| 20 | 530056217 | | Clamp-Blower Tube |
| 21 | 530402044 | | Knob-Tube Clamp |
| 22 | 530049617 | | Housing-Right |
| 23 | 530056216 | | Spring-Cover Latch |
| 24 | 530016207 | | Guide-Starter Rope |
| 25 | 530036792 | | Housing-Left |
| 26 | 530049491 | | Nut |
| 27 | 530049527 | | Isolator-Crankcase |
| 28 | 530049386 | | Assy-Fuel Tank |
| 29 | 530049656 | | Gasket-Fuel Tank |
| 30 | 530069247 | | Fuel Cap w/Retainer |
| 31 | 530069216 | | Grommet-Shroud |
| 32 | 530095646 | | Kit-Line Carb/Purge |
| 33 | 530071459 | | Kit-Line Tank/Purge |
| | 530086848 | | Assy-Fuel Pick-up |
| | 530084404 | | Grommet-Fuel line (kit) |
| | 530055358 | | Operator Manual Not Shown |
| | | | Warning Decal Not Shown |
| | | | Decal-Start Inst. Not Shown |



| Ref # | Part Number | Qty | Description |
|-------|-------------|-----|---|
| 1 | 530095564 | | Assy-Vac. Bag w/strap |
| 2 | 530095470 | | Tube-Elbow Vac |
| 3 | 530049686 | | Retainer-Vac Tube Knob |
| 4 | 530016322 | | Knob |
| 5 | 530094476 | | Tube-Lower Vac |
| 6 | | | Tube-Upper Vac Service Note (When ordering the new upper vac tube 530056901, items # 3,4 are not required.) |
| 7 | 530095593 | | Tube-Blower |
| | 530071632 | | Carburetor Assembly (C1Q-W11C) |
| | 530056901 | | Upper Vac Tube |

WT200LE Gas Blower Type 40
 Vacuum Tube Assembly