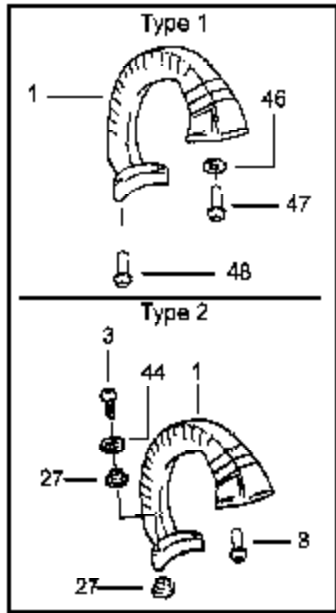
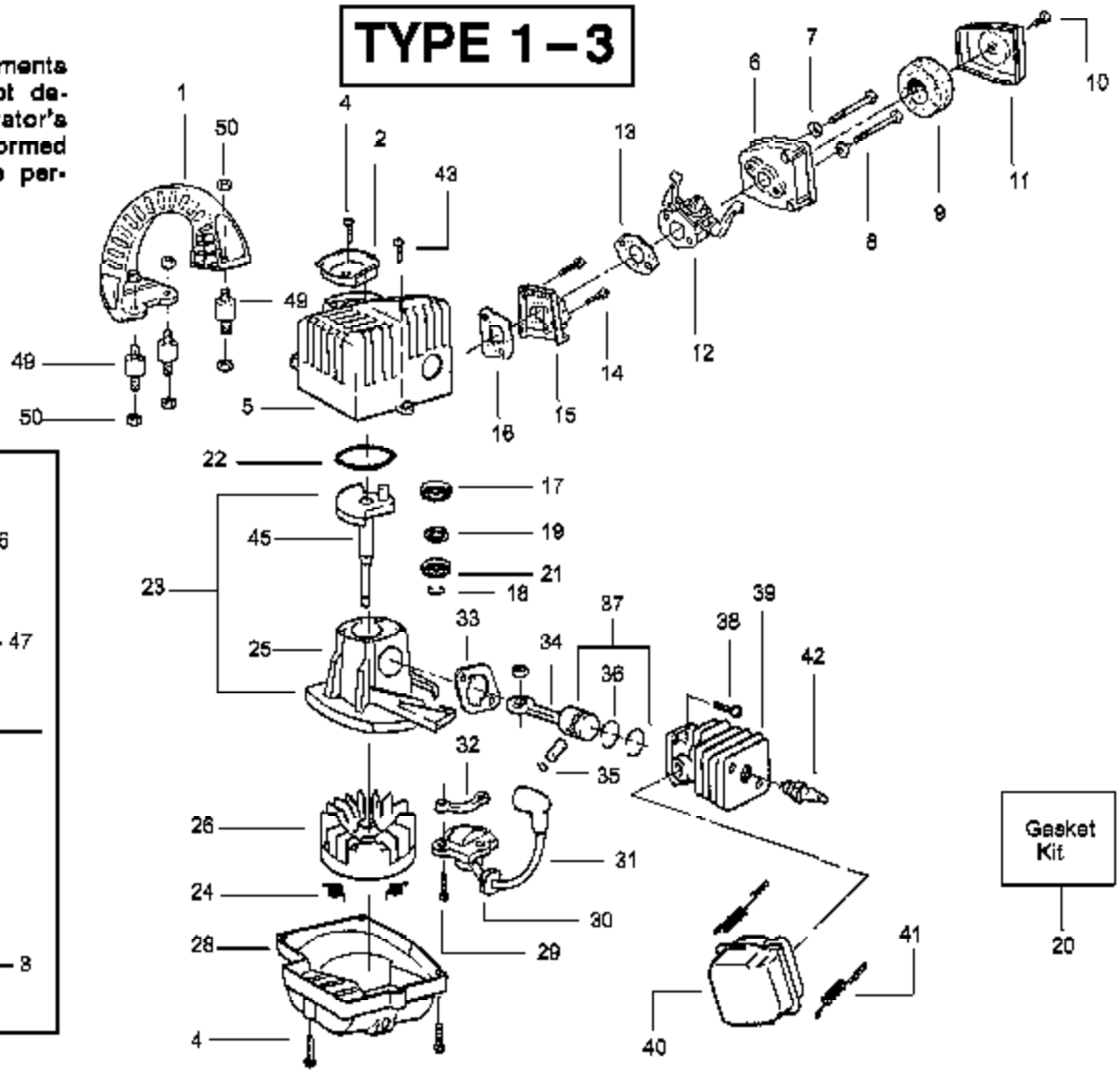


⚠ WARNING

All repairs, adjustments and maintenance not described in the Operator's Manual must be performed by qualified service personnel.

TYPE 1-3

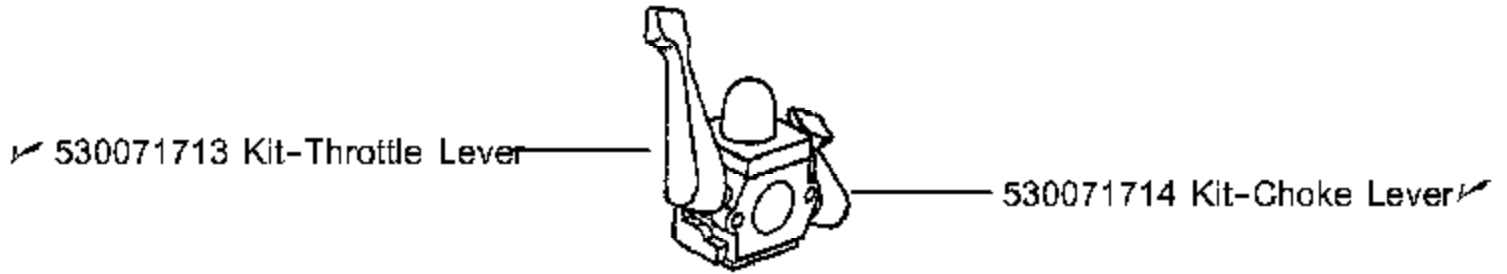


Gasket Kit

20

Ref #	Part Number	Qty	Description
1	530071300		Handle Kit Type 1,2,3
2	530016258		Plate Crankcase
3	530016349		Screw - Type 2
4	530015810		Screw
5	530071300		Shroud Type 1 & Type 2
	530054431		Shroud Type 3
6	530052333		Air Box
7	530015123		Washer
8	530015849		Screw
9	530047932		Foam-Air Filter
10	530016349		Screw
11	530052332		Cover-Air Box Type 1
	530054275		Cover-Air Box Type 2
12	530069935	FL1500 Gas Blower 2019	Blower Assembly Type 1-3
	530071301		Carburetor Ass'y. Kit Type 1 (WT501) (Incl. Limiter Cap)
13	530069616		Carburetor Ass'y. Kit Type 2,3 (WT557) (Incl. Limiter Cap)
14	530016014		Gasket-Carb.
15	530049025		Screw
16	530069616		Carb. Adaptor
17	530032125		Gasket-Cyl/Carb. Adaptor
18	530015941		Inner Bearing
19	530071615		Retainer Ring (C'shaft)
20	530069616		Kit-Crankcase Seal
21	530055728		Gasket Kit
22			Outer Bearing
23	530014906		O-Ring-Gasket-C'case See "Service Reference"
24	530023817		C'case & C'shaft Ass'y. (Incl. 17-21, 25 & 45)
25	530014861		Spring-Starter Dog
	530012491		Crankcase Ass'y. Old Style (Incl. 17, 19, 20 & 21)
26	530069886		Crankcase Ass'y. New Style (Incl. 17, 19, 20 & 21)
27	530054139		Flywheel Ass'y. (Incl. 27)
28	530054121		Grommet-Rubber - Type 2
29	530015954		Fan Housing
30	530019182		Screw
31	530039163		Grommet-Ign. Module
32	530036145		Ignition Module
33	530069616		Spacer-Ign. Module
34	530069945		Gasket-Cylinder
35	530015162		Connecting Rod Ass'y.
36	530052348		Wrist Pin Retainer
37	530069948		Piston Ring
38	530015953		Piston Kit (Incl. 35 & 36)
39	530069949		Screw
40	530071574		Cylinder Kit
41	530042088		Kit-Muffler Ass'y. (Incl. #41)
42	952030249		Muffler Spring
43	530016349		Spark Plug (RCJ-6Y)
44	530016304		Screw
45	530052344		Washer - Type 2
46	530015682		Crankshaft Ass'y.
47	530016058		Washer-Flat - Type 1
48	530015805		Screw - Type 1
49	530054432		Screw - Type 1
50	530016316		Isolator - Type 3
	530088117		Nut - Type 3
			Operator Manual Not Shown

Kit - Carburetor Assy # 530071629 - C1U-W12A



✓ 530071713 Kit-Throttle Lever

530071714 Kit-Choke Lever ✓

Note: No Repair kits are available for this carburetor, please order the complete assembly part number 530-071629 (C1U-W12A)

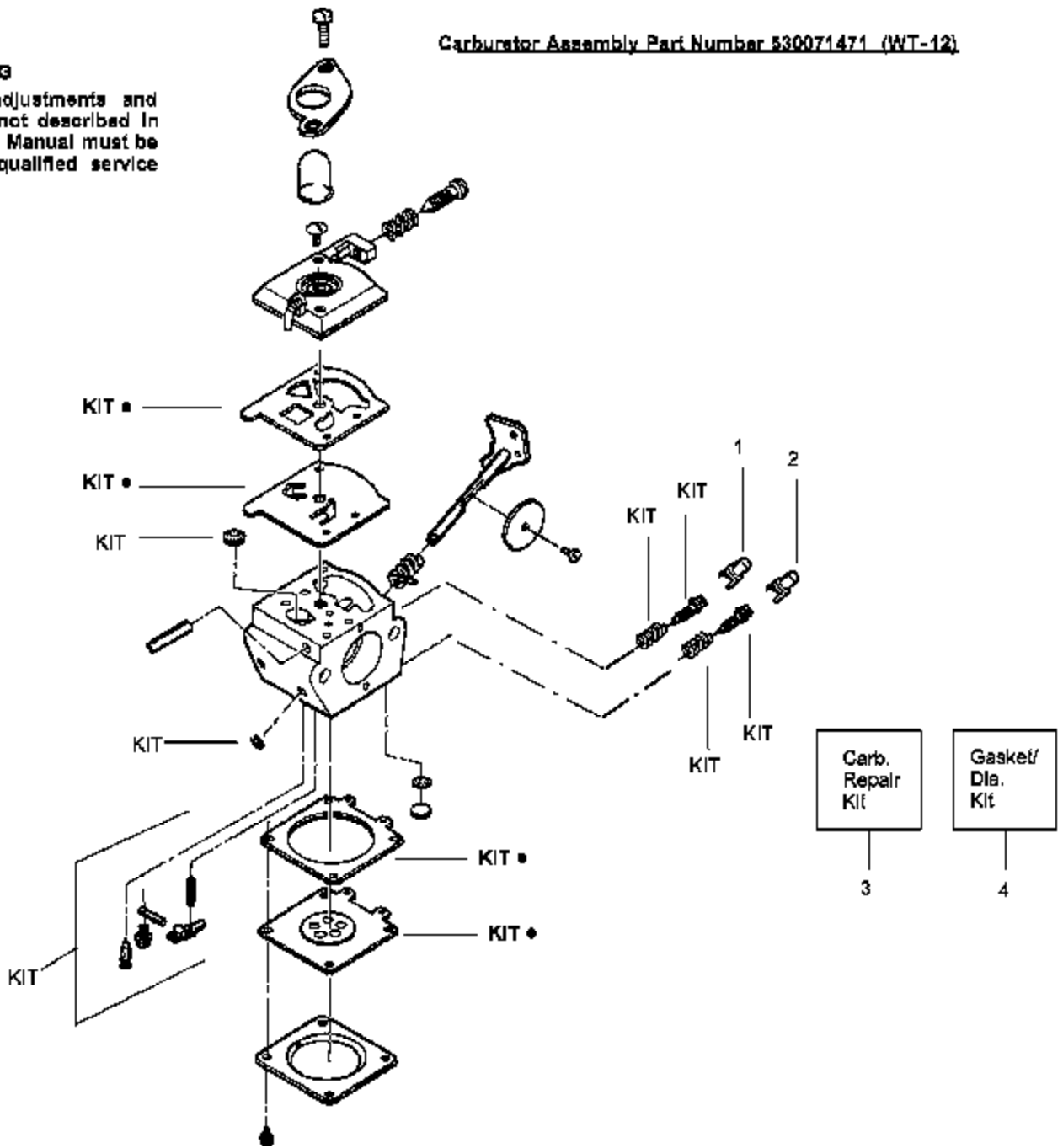
Ref #	Part Number	Qty	Description
530071629	530071629		Kit - Carburetor Assy - C1U-W12A
530071713	530071713		Kit-Throttle Lever
530071714	530071714		Kit-Choke Lever

FL1500 Gas Blower Page 9
Carburetor Assembly (C1U-W

WARNING

All repairs, adjustments and maintenance not described in the Operator's Manual must be performed by qualified service personnel.

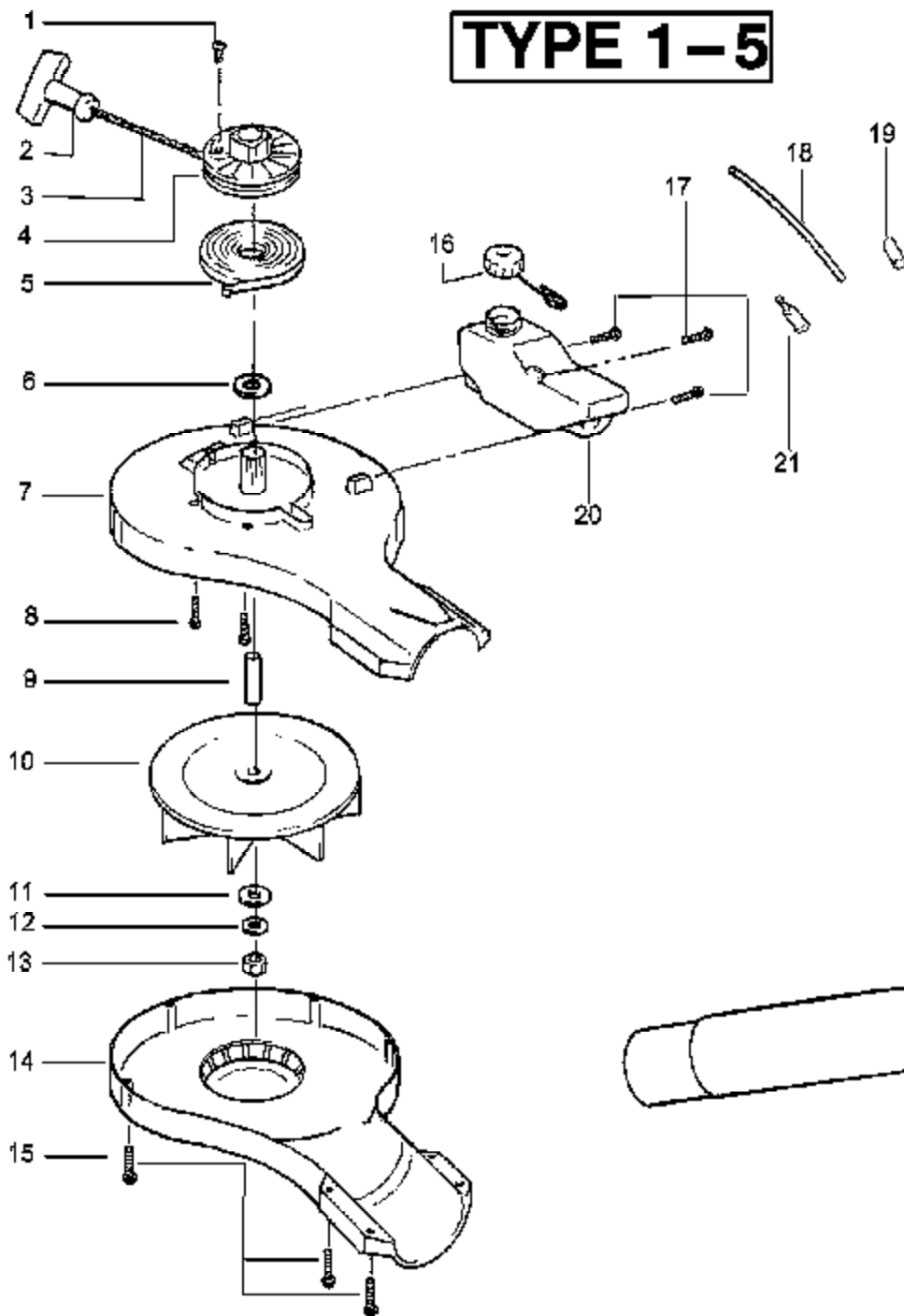
Carburetor Assembly Part Number 530071471 (WT-12)



Ref #	Part Number	Qty	Description
1	530038478		Limiter Cap-Low (tan)
2	530038479		Limiter Cap-High (brown)
3	530071517		Carburetor Repair Kit (KIT = CONTENTS)
4	530071442		Gasket/Diaphragm Kit (DOT = CONTENTS)
530071471	530071471		Carburetor Assembly (WT12)

FL1500 Gas Blower Page 9
 Carburetor Assembly (WT12)

TYPE 1-5



WARNING

All repairs, adjustments and maintenance not described in the Operator's Manual must be performed by qualified service personnel.

Ref #	Part Number	Qty	Description
1	530016080		Screw
2	530049488		Handle-Starter
3	530069907		Kit-Rope
4	530069952		Kit-Starter Pulley (Incl. 1)
5	530042086		Spring-Starter
6	530015149		Washer
7	530052334		Housing-Impeller (Upper)
8	530015814		Screw
9	530052434		Spacer-Flywheel
10	530053237		Assy-Impeller
11	530016260		Washer-Flat
12	530092322		Lockwasher
13	530626605	FL1500 Gas Blower Type of 9	Nut
14	530054181	Chassis Assembly	Assy-Impeller Housing (Lower)
15	530015886		Screw
16	530014347		Assy-Fuel Cap
17	530016349		Screw
18	530069599		Kit-Fuel Line
19	530053314		Grommet-Fuel Line
20	530053021		Assy-Fuel Tank (Incl. cap,filter, fuel lines)
21	530095646		Fuel Pick-up Ass'y.
22	530053461		Tube-Blower

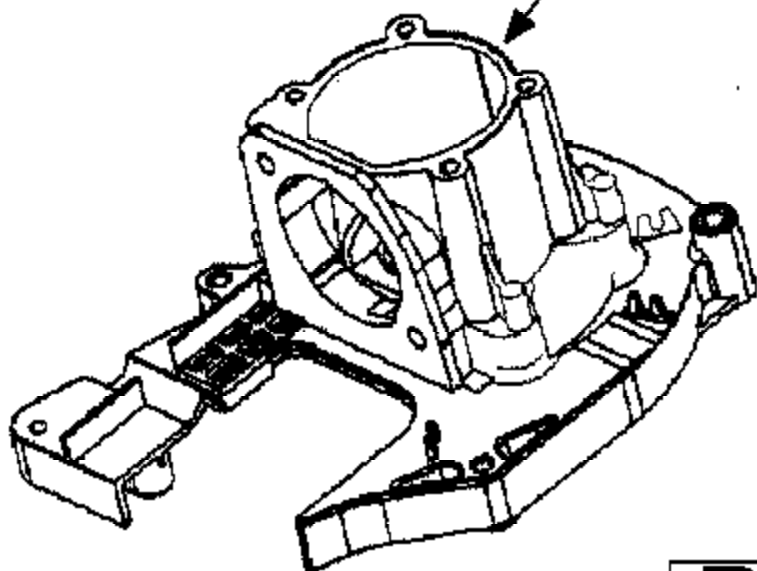
SERVICE REFERENCE

Note: When replacing item# 22 on page 1, please note if the surface indicated by the arrow is flat or has a beveled edge and order accordingly.

(A) Flat Surface - 530-019181 Gasket

(B) Beveled surface - 530-056097 O-ring

A



B

