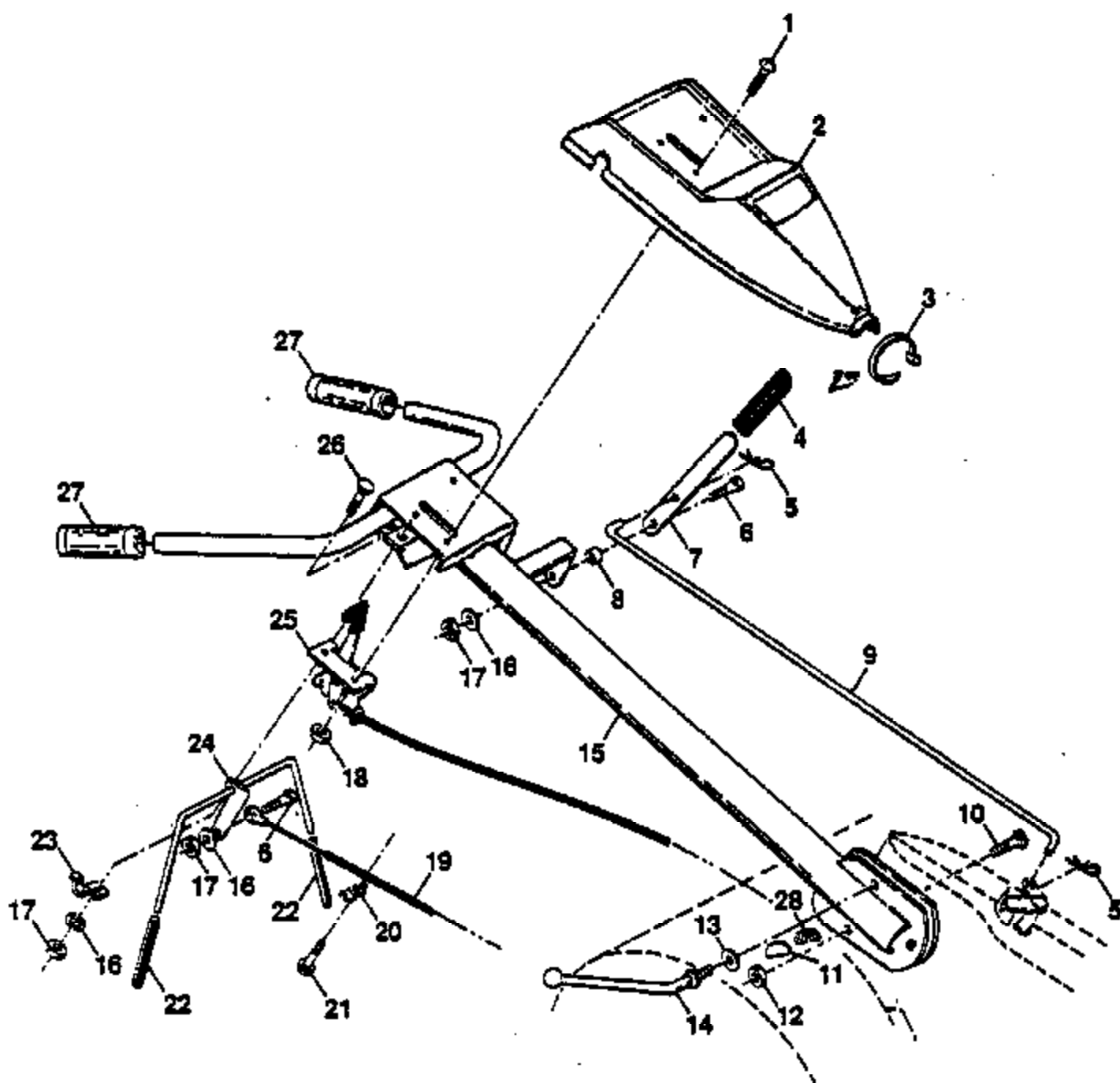


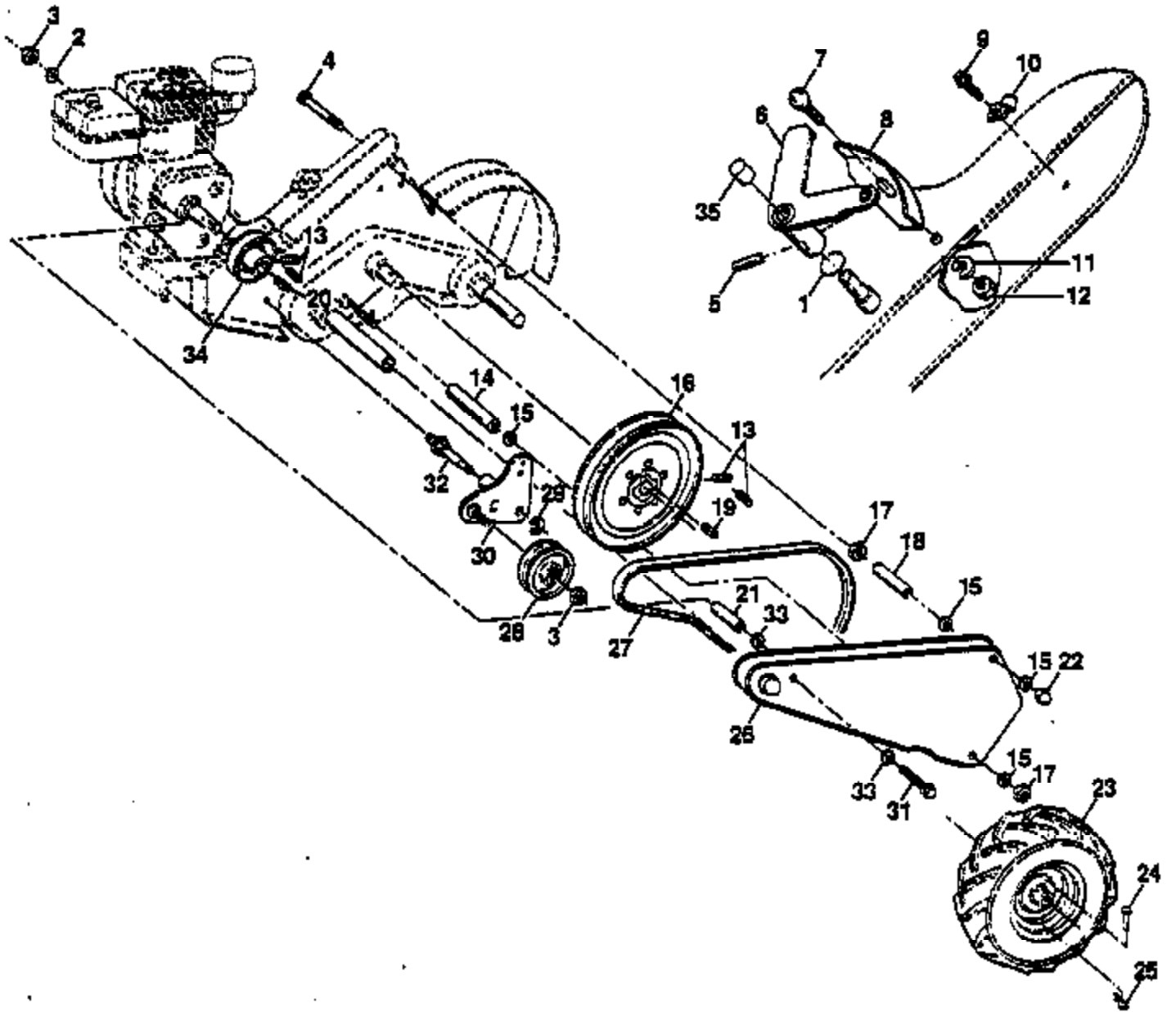
| Ref # | Part Number | Qty | Description |
|-------|-------------|-----|-------------------------------------|
| 1 | 532144184 | | Decal, Logo |
| 2 | 532144183 | | Decal, Logo |
| 3 | 532139385 | | Decal, Instruction, Tilling |
| 4 | 532110614 | | Decal, Hand Placement |
| 5 | 532139044 | | Decal, Shift Indicator |
| 6 | 532110612 | | Decal, Caution |
| 7 | 532120076 | | Decal, Warning, Rotating Tines |
| 8 | 532271636 | | Decal, Briggs & Statton |
| | 532144137 | | Manual, Owner's(English) Not Shown. |
| | 532144138 | | Manual, Owner's(French) Not Shown. |

PPRT&JA Tiller Page 2 of 15
DECALS



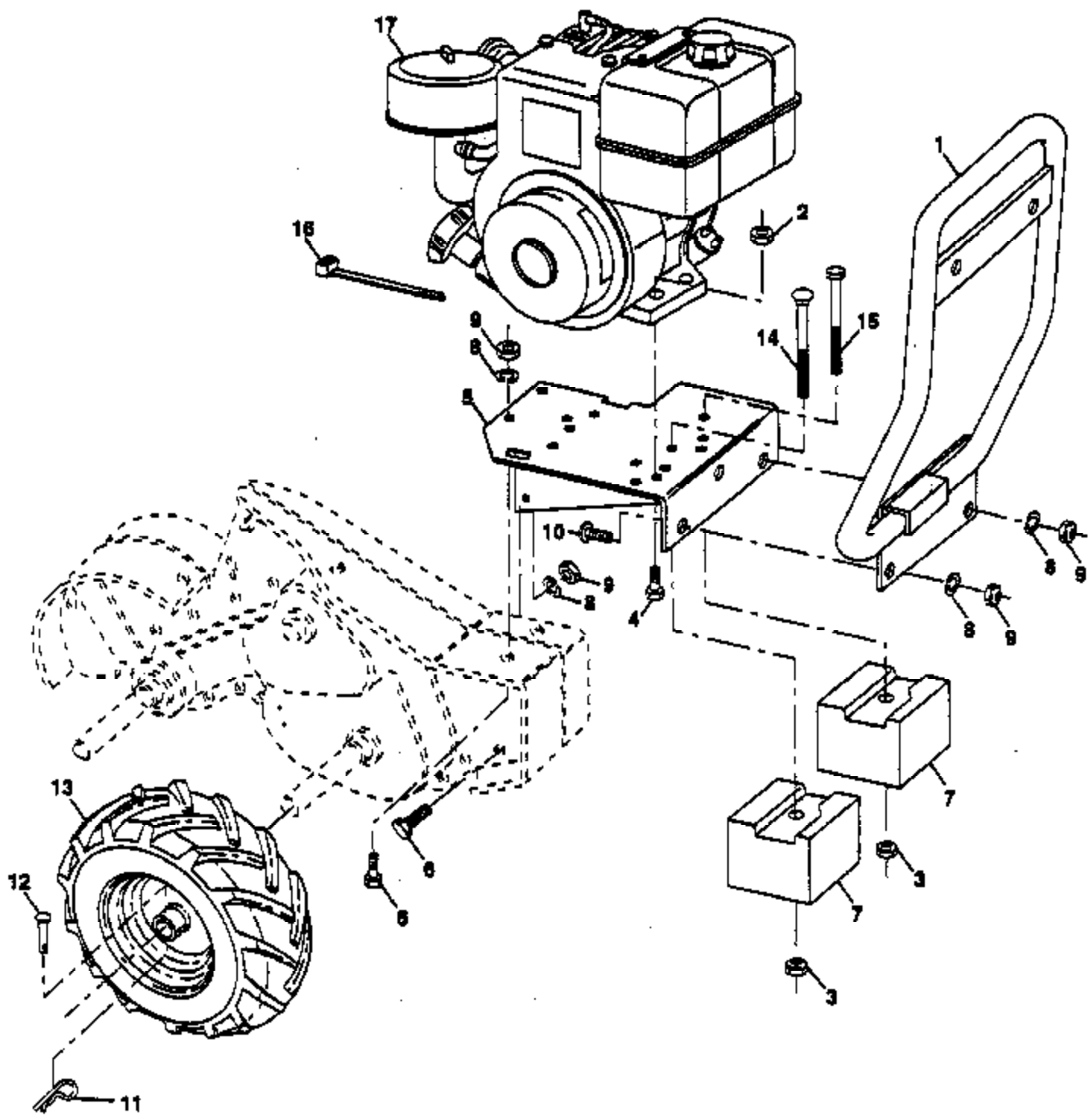
| Ref # | Part Number | Qty | Description |
|-------|-------------|-----|--|
| 1 | 871191008 | | Screw, Pan Hd. #10-24 UNC |
| 2 | 532126951 | | Panel, Control |
| 3 | 532104164 | | Tie, Cable |
| 4 | 532124797 | | Grip, Handle |
| 5 | 532124788 | | Clip, Hairpin |
| 6 | 532081328 | | Bolt, Shoulder |
| 7 | 532109335 | | Handle, Shift |
| 8 | 532109313 | | Grommet, Rubber |
| 9 | 532138400 | | Rod, Shift |
| 10 | 872140608 | | Bolt, Carriage 3/8-16 x 1 |
| 11 | 532109229 | | Lock, Handle |
| 12 | 873930600 | | Nut, Centerlock 3/8-16 |
| 13 | 819131611 | | Washer 3/32 x 1 x 11 Ga. |
| 14 | 532109228 | | Lever, Lock, Handle |
| 15 | 532125327 | | Handle |
| 16 | 810040400 | | Washer, Lock 1/4 |
| 17 | 873220400 | | Nut, Hex 1/4-20 |
| 18 | 873731000 | | Nut, Keps #10-24 UNC |
| 19 | 532101251 | | Cable, Clutch |
| 20 | 532009484 | | Clip |
| 21 | 532086777 | | Screw, Hex Washer Hd. Slotted #10-24 x 1/2 |
| 22 | 532102604 | | Grip, Bar, Control |
| 23 | 532102744 | | Clamp, Bar, Control |
| 24 | 532105216 | | Bar Assembly, Control |
| 25 | 532138305 | | Control, Throttle |
| 26 | 872140404 | | Bolt, Carriage 1/4-20 UNC x 1/2 |
| 27 | 532140528 | | Grip, Handle |
| 28 | 532138283 | | Lock, Handle |

PPRT8JA Title Page 4 of 15
WASHER 3/32 x 1 x 11 Ga.
HANDLE ASSEMBLY



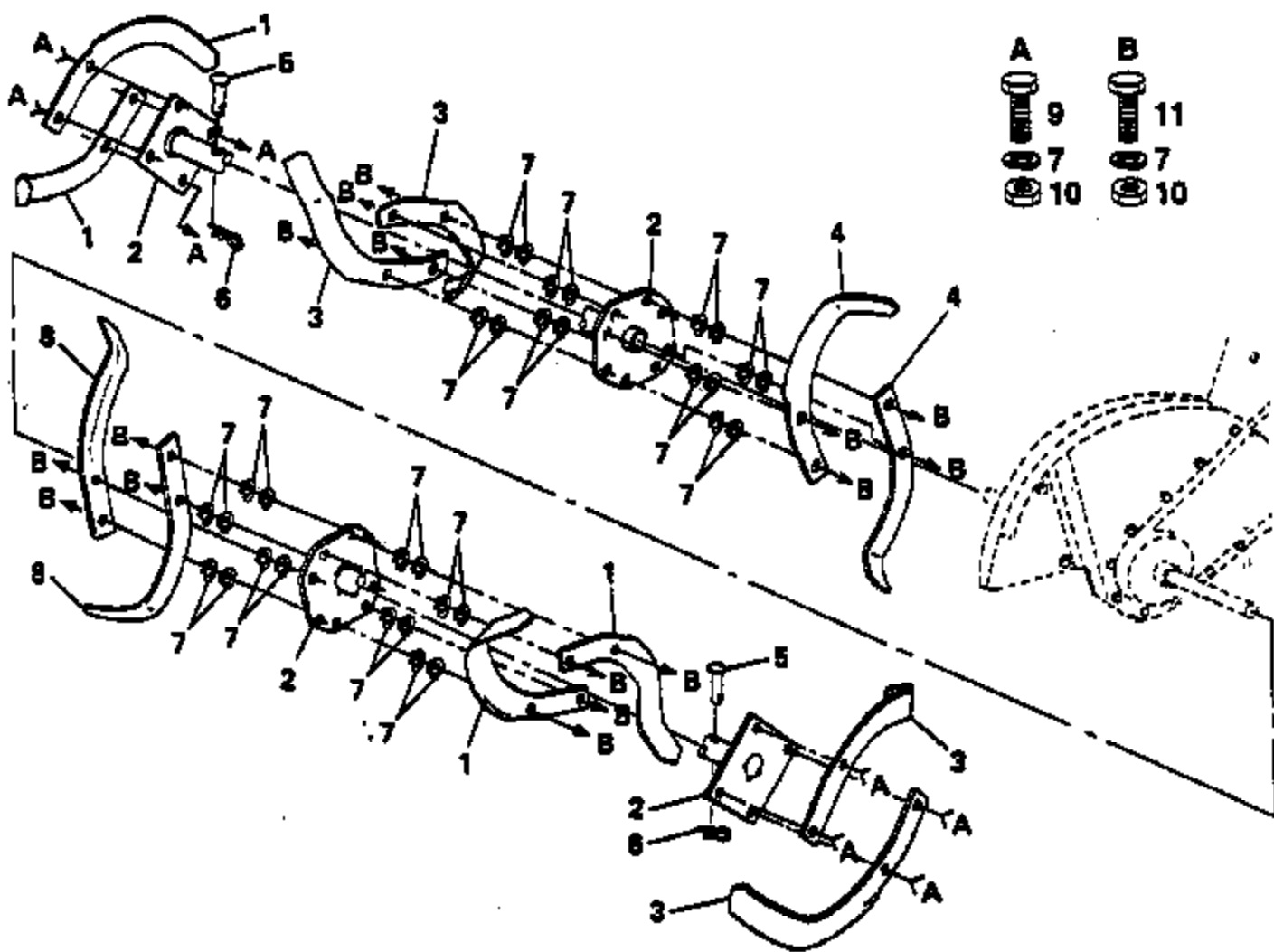
| Ref # | Part Number | Qty | Description |
|-------|-------------|-----|--|
| 1 | 532106160 | | O-Ring |
| 2 | 810040600 | | Washer, Lock 3/8 |
| 3 | 873220600 | | Nut, Hex 3/8-16 |
| 4 | 874930572 | | Bolt, Hex Head 5/16-18 x 4-1/2 |
| 5 | 532124963 | | Pin, Roll |
| 6 | 532110111 | | Lever, Shift |
| 7 | 872110404 | | Bolt, Carriage 1/4-20 x 1/2 Grade 5 |
| 8 | 532008700 | | Plate, Shift Indicator |
| 9 | 532086777 | | Screw, Hex Washer Head, Slotted #10-24 x 1/2 |
| 10 | 532009484 | | Clip |
| 11 | 810040400 | | Washer, Lock 1/4 |
| 12 | 873220400 | | Nut, Hex 1/4-20 |
| 13 | 823230506 | | Screw, Set, Hex 5/16-18 x 3/8 |
| 14 | 532008382 | | Spacer, Split |
| 15 | 819111116 | | Washer 11/32 x 11/16 x 16 Gauge |
| 16 | 532100473 | | Sheave, Transmission |
| 17 | 873220500 | | Nut, Hex 5/16-18 |
| 18 | 532008381 | | Spacer |
| 19 | 532002649 | | Key, Square 3/16 x 1-1/8 |
| 20 | 532004914 | | Key, Square |
| 21 | 532139155 | | Spacer, Split .523 x .718 x 2 |
| 22 | 532104214 | | Nut, Cap 5/16-18 |
| 23 | 532005015 | | Tire |
| | 532005014 | | Rim |
| | 532124718 | | Tire Valve |
| 24 | 532004929 | | Rivet, Drilled |
| 25 | 532124961 | | Clip, Hairpin |
| 26 | 532144565 | | Guard, Belt |
| 27 | 532138399 | | V-Belt |
| 28 | 532104680 | | Pulley, Idler |
| 29 | 812000032 | | Ring, Klip |
| 30 | 532105611 | | Bracket, Idler |
| 31 | 874770844 | | Bolt, Hex Head 1/2-20 x 2-3/4 |
| 32 | 532139401 | | Shaft, Idler Arm |
| 33 | 819171616 | | Washer |
| 34 | 532004368 | | Sheave, Engine |
| 35 | 532140062 | | Cap, Plunger |

PPRT8JA Tiller Page 6 of 15
MAINFRAME LEFT SIDE



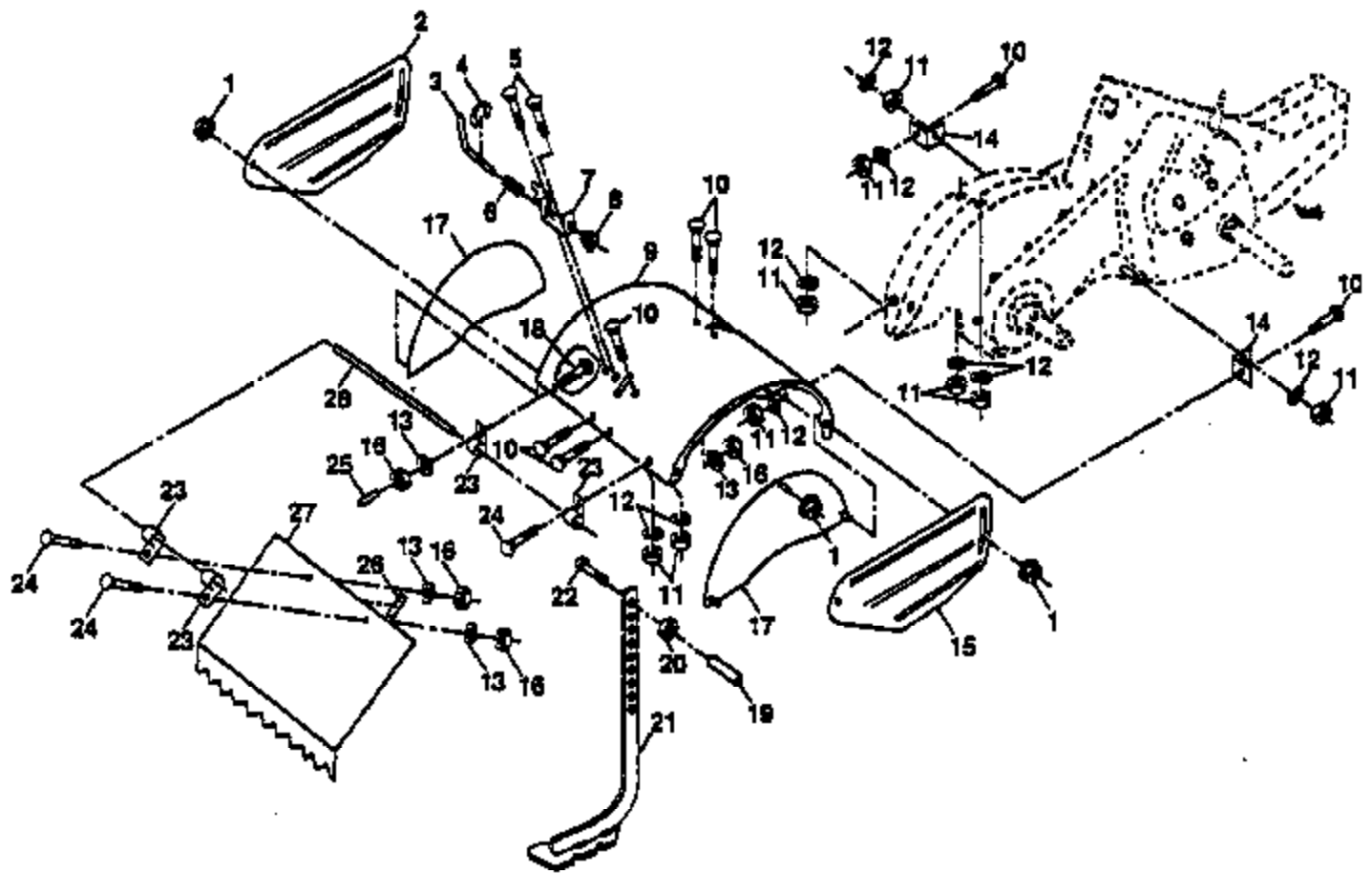
| Ref # | Part Number | Qty | Description |
|-------|-------------|-----|-------------------------------|
| 1 | 532138402 | | Bumper |
| 2 | 873680500 | | Nut, Crownlock 5/16-18 |
| 3 | 873680600 | | Nut, Crownlock 3/8-16 |
| 4 | 874760528 | | Bolt, Hex 5/16-18 x 1-3/4 |
| 5 | 532138669 | | Bracket, Engine |
| 6 | 874760616 | | Bolt, Hex Head 3/8-16 x 1 |
| 7 | 532008450 | | Counter Weight, R.H. |
| 8 | 810040600 | | Washer, Lock 3/8 |
| 9 | 873220600 | | Nut, Hex 3/8-16 |
| 10 | 872140608 | | Bolt, Carriage 3/8-16 x 1 |
| 11 | 532124961 | | Clip, Hairpin |
| 12 | 532004929 | | Rivet, Drilled |
| 13 | 532005015 | | Rivet |
| | 532005014 | | Rim |
| | 532124718 | | Tire Valve |
| 14 | 872470636 | | Bolt, Carriage 3/8-16 x 4-1/2 |
| 15 | 874760672 | | Bolt, Hex Head 3/8-16 x 4-1/2 |
| 16 | 532104164 | | Tie, Cable |

PPRT8JA Title Page 8 of 15
 MAINFRAME, RIGHT SIDE



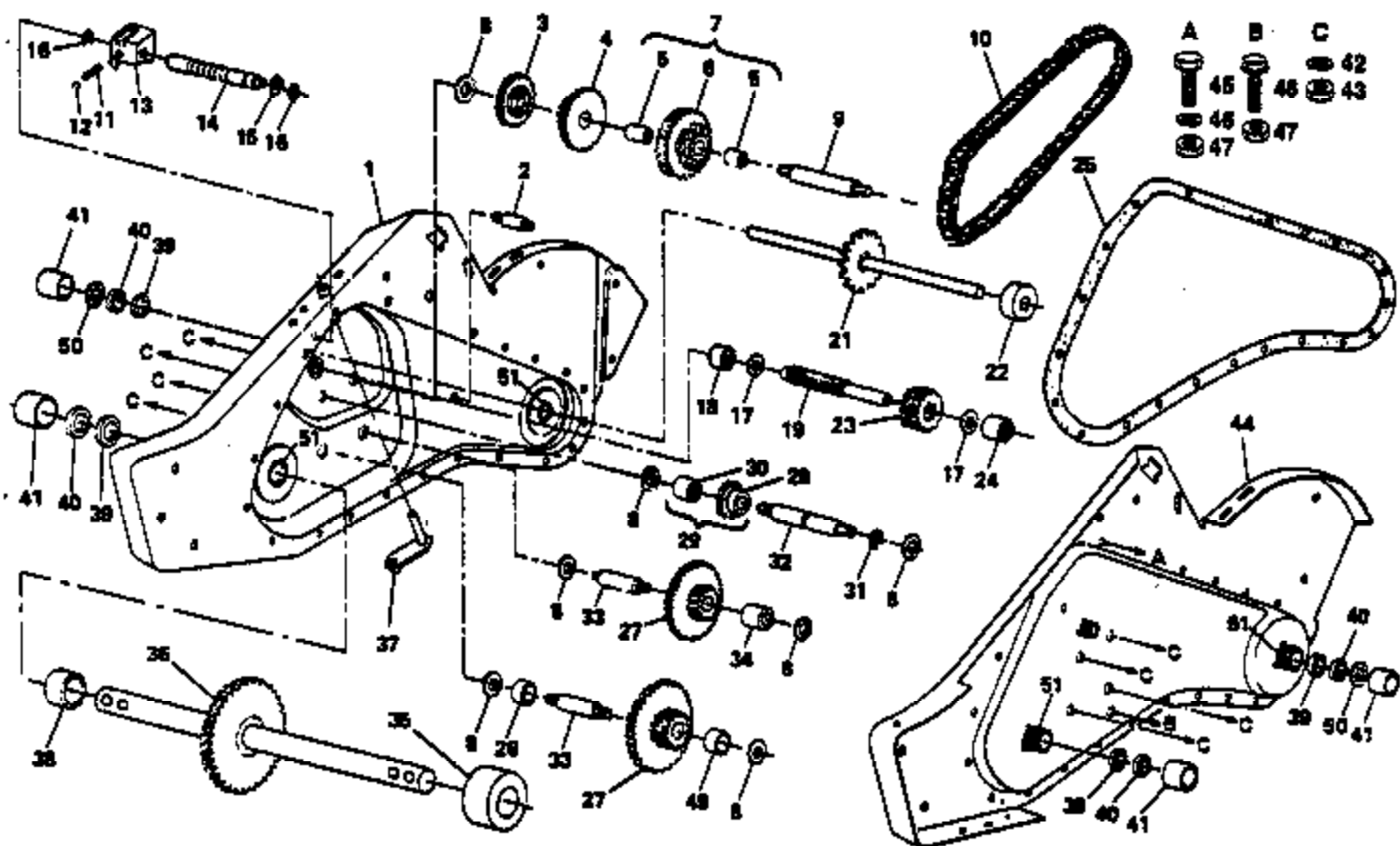
| Ref # | Part Number | Qty | Description |
|-------|-------------|-----|-------------------------------|
| 1 | 532006556 | | Tine, L.H., 14" |
| 2 | 532100445 | | Hub Assembly |
| 3 | 532006557 | | Tine, R.H., 14" |
| 4 | 532101194 | | Tine, L.H., 14" |
| 5 | 532004929 | | Rivet, Panhead |
| 6 | 532124660 | | Clip, Hairpin |
| 7 | 810040600 | | Washer, Lock 3/8 |
| 8 | 532101193 | | Tine, R.H., 14" |
| 9 | 874610616 | | Bolt, Hex Head 3/8-24 x 1 |
| 10 | 873610600 | | Nut, Hex 3/8-24 |
| 11 | 874610624 | | Bolt, Hex Head 3/8-24 x 1-1/2 |

PPRT8JA TillerPage 10 of 15
TINE ASSEMBLY



| Ref # | Part Number | Qty | Description |
|-------|-------------|-----|-------------------------------------|
| 1 | 898000129 | | Nut, Flange 5/16-18 |
| 2 | 532108711 | | Shield, Side, Outer, L.H. |
| 3 | 532008393 | | Pin, Depth Stake |
| 4 | 812000036 | | Ring, Klip |
| 5 | 872140508 | | Bolt, Carriage 5/16-18 x 1 |
| 6 | 532008394 | | Spring |
| 7 | 532008392 | | Bracket, Latch |
| 8 | 532109230 | | Spring, Depth Stake |
| 9 | 532144566 | | Shield, Tine |
| 10 | 872140506 | | Bolt, Carriage 5/16-18 x 3/4 Gr. 5 |
| 11 | 873220500 | | Nut, Hex 5/16-18 |
| 12 | 810040500 | | Washer, Lock 5/16 |
| 13 | 810040400 | | Washer, Lock 1/4 |
| 14 | 532008386 | | Bracket, Shield Tine |
| 15 | 532108710 | | Shield, Side, Outer R.H. |
| 16 | 873220400 | | Nut, Fin, Hex, 1/4-20 |
| 17 | 532144568 | | Shield, Side |
| 18 | 872040410 | | Bolt, Carriage 1/4-20 x 1-1/4 Gr. 5 |
| 19 | 532008389 | | Grip |
| 20 | 873220600 | | Nut, Hex 3/8-16 |
| 21 | 532138420 | | Stake, Depth |
| 22 | 874930656 | | Bolt, Hex 3/8-16 x 3-1/2 |
| 23 | 532004440 | | Hinge |
| 24 | 872140408 | | Bolt, Carriage 1/4-20 x 1/2 Gr. 5 |
| 25 | 532124717 | | Cap, Vinyl |
| 26 | 532109227 | | Pad, Idler |
| 27 | 532144567 | | Shield, Leveling |
| 28 | 532138609 | | Pin, Hinge |

PPRT8JA TINE SHIELD
 TINE SHIELD
 Page 12 of 15



| Ref # | Part Number | Qty | Description |
|-------|-------------|-----|--|
| 0 | 532142477 | | Transmission Assembly Not Shown. |
| 1 | 532106179 | | Gearcase Assembly, R.H., with Bearing (Includes Key No. 18) |
| 2 | 532008370 | | Bolt, Upset |
| 3 | 532008547 | | Gear, Reverse |
| 4 | 532008546 | | Gear, Cluster, Red., 1st and 2nd |
| 5 | 532100413 | | Bearing, Needle |
| 6 | 532144564 | | Sprocket Assembly, Tine |
| 7 | 532144563 | | Sprocket Assembly with Bearings (Incl. Key #6 & two of Key #5) |
| 8 | 532004358 | | Washer |
| 9 | 532008358 | | Shaft, Reduction, 1st |
| 10 | 532008371 | | Chain, Roller, 60P |
| 11 | 532100371 | | Spring, Shift, Fork |
| 12 | 532124697 | | Ball, Steel |
| 13 | 532008353 | | Fork, Shift |
| 14 | 532008354 | | Shaft, Shift |
| 15 | 812000039 | | Klip Ring |
| 16 | 532004360 | | Washer, Seal |
| 17 | 532001370 | | Race, Bearing, Thrust, 5/8 I.D. |
| 18 | 532124792 | | Bearing, Needle |
| 19 | 532100724 | | Shaft, Input |
| 21 | 532105378 | | Shaft Assembly, Tine |
| 22 | 532106181 | | Spacer 1.008 x 1-3/4 x .645 |
| 23 | 532008359 | | Pinion, Input |
| 24 | 532005020 | | Bearing, Needle |
| 25 | 532008372 | | Gasket, Gearcase |
| 26 | 532106389 | | Spacer .765 I.D. x 1.12 x 5/8 |
| 27 | 532100433 | | Gear, Cluster, Red., 2nd and 3rd |
| 28 | 532008357 | | Gear, Reverse Idler |
| 29 | 532144562 | | Gear Assembly, Reverse Idler (Includes Key Numbers 28 and 30) |
| 30 | 532006803 | | Bearing, Needle |
| 31 | 812000040 | | Klip Ring |
| 32 | 532008356 | | Shaft, Reverse Idler |
| 33 | 532100016 | | Shaft, Reduction, 2nd |
| 34 | 532106392 | | Spacer .765 I.D. x 1-1/8 x 1-3/8 |
| 35 | 532106394 | | Spacer, Ground Drive, L.H. |
| 36 | 532100436 | | Shaft Assembly, Ground |
| 37 | 532142145 | | Arm Assembly, Shift |
| 38 | 532106393 | | Spacer, Ground Drive, R.H. |
| 39 | 532124698 | | Seal, Oil |
| 40 | 532140576 | | Seal, Ring, Rubber |
| 41 | 532009672 | | Cup, Formed |
| 42 | 810040700 | | Washer, Lock 7/16 |
| 43 | 873610700 | | Nut, Hex 7/16-20 |
| 44 | 532109331 | | Gearcase Assembly, L.H., with Bearing (Includes Key Number 24) |
| 45 | 874780512 | | Bolt, Hex Head 5/16-18 x 3/4 |
| 46 | 810040500 | | Washer, Lock 5/16 |
| 47 | 873220500 | | Nut, Hex Head 5/16-18 |
| 48 | 532100107 | | Screw, Whiz-Lock 5/16-18 x 4 |
| 49 | 532106391 | | Spacer .765 I.D. x 1.12 x 3/4 |
| 50 | 532102144 | | Ring, Spiral |

PPRT8JA Title Page 14 of 15
 TRANSMISSION

| Ref # | Part Number | Qty | Description |
|-------|-------------|-----|---------------------------------------|
| 51 | 532122204 | | Kit, Bearing |
| | 532006066 | | Grease, Plastilub Number 1 Not Shown. |

PPRT8JA TillerPage 15 of 15
TRANSMISSION