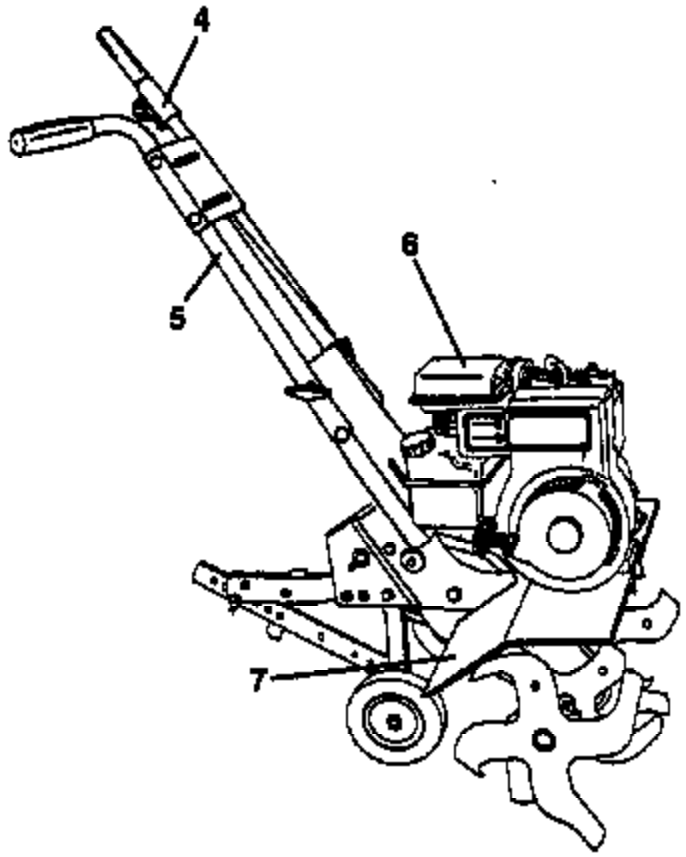
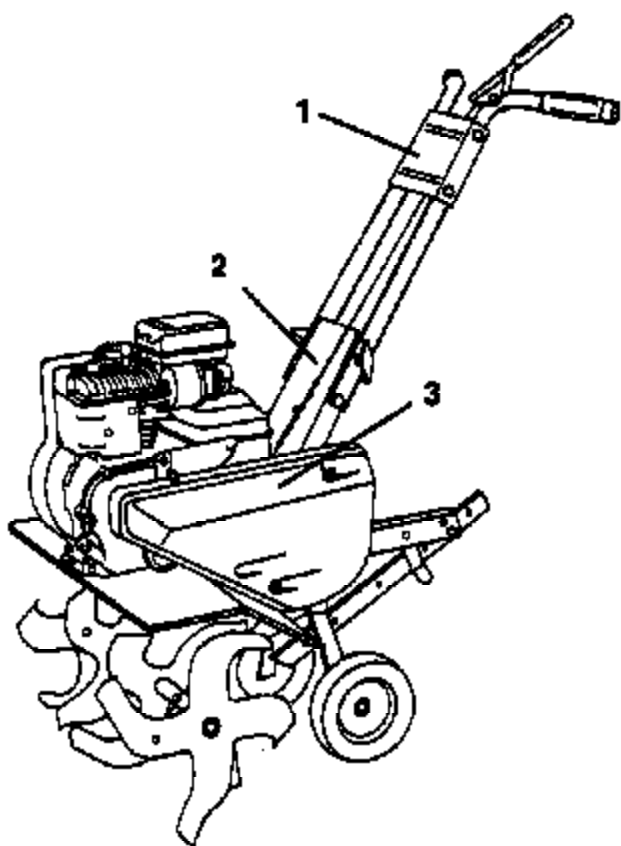


Ref #	Part Number	Qty	Description
1	823230506		Screw, Set, Forged Socket, Headless 5/16-18 x 3/8
2	532130811		Pulley, Engine
3	532122955		Bracket Assembly, Guard, Belt
4	872140404		Bolt, Carriage 1/4-20 x 1/2
5	874770812		Bolt, Hex 1/2-20 x 3/4
6	532121463		Keeper, Belt, Transmission Pulley
7	532104213		Nut, Cap 1/4-20
8	819091016		Washer 9/32 x 5/8 x 16 Ga.
9	532125342		Guard, Belt
10	532109227		Pad, Idler
11	872140406		Bolt, Carriage 1/4-20 x 3/4
12	532009179		V-Belt
13	532002649		Key, Square
14	532009174		Pulley, Transmission
15	532132213		Bolt, Belt Guard
16	812000036		Ring, Klip
17	873350600		Nut, Hex, Jam 3/8-16
18	532009178		Pulley, Idler
19	532124688		Idler Arm Assembly
20	874760620		Bolt, Hex 3/8-16 x 1-1/4
21	532106968		Shaft, Idler Arm
22	532105358		Shield, Dirt
23	810040400		Washer, Lock 1/4
24	873220400		Nut, Hex 1/4-20
25	873350500		Nut, Hex, Jam 5/16-18

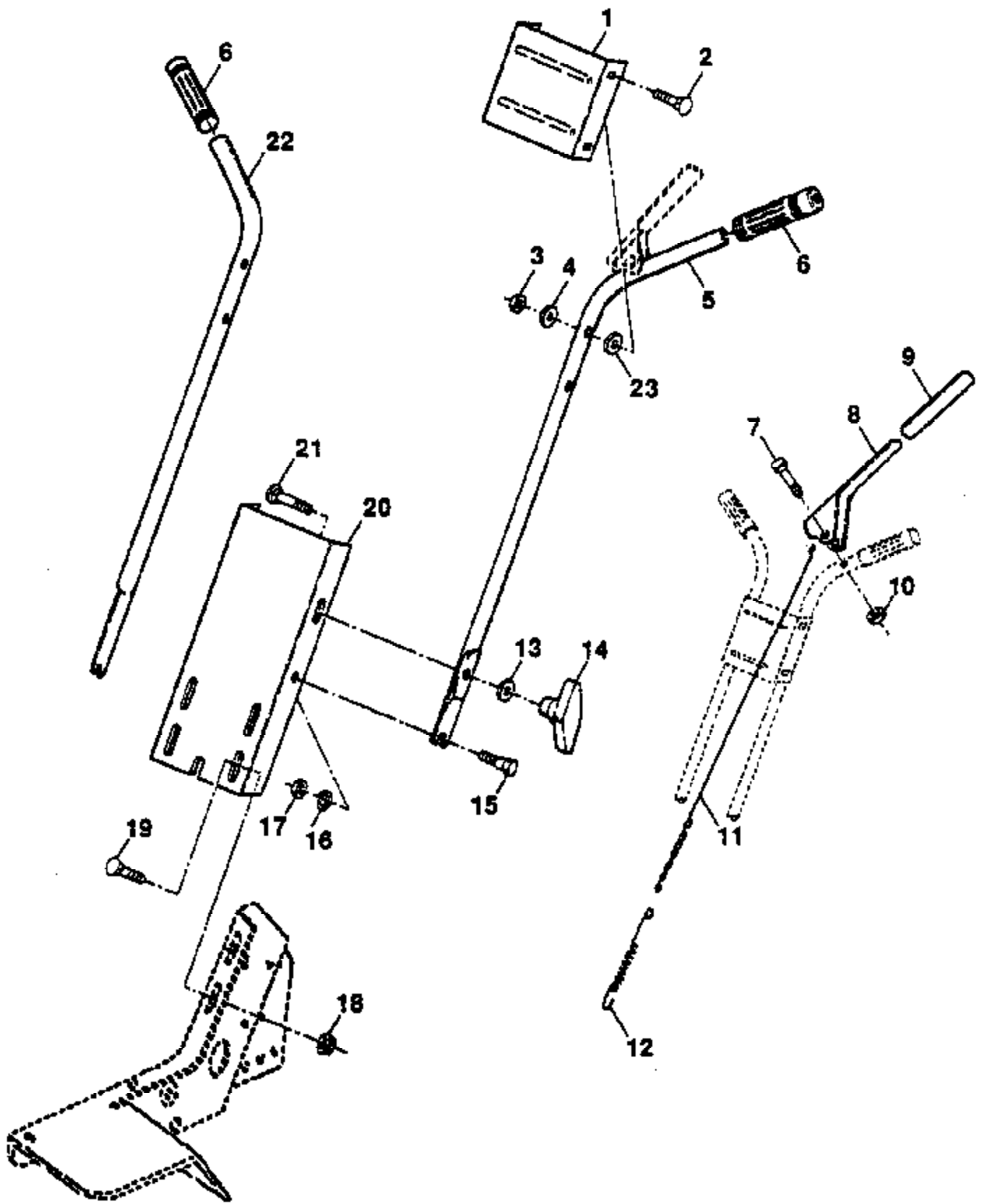
PPFT3K Tiller, Page 2 of 12

BELT GUARD AND PULLEY



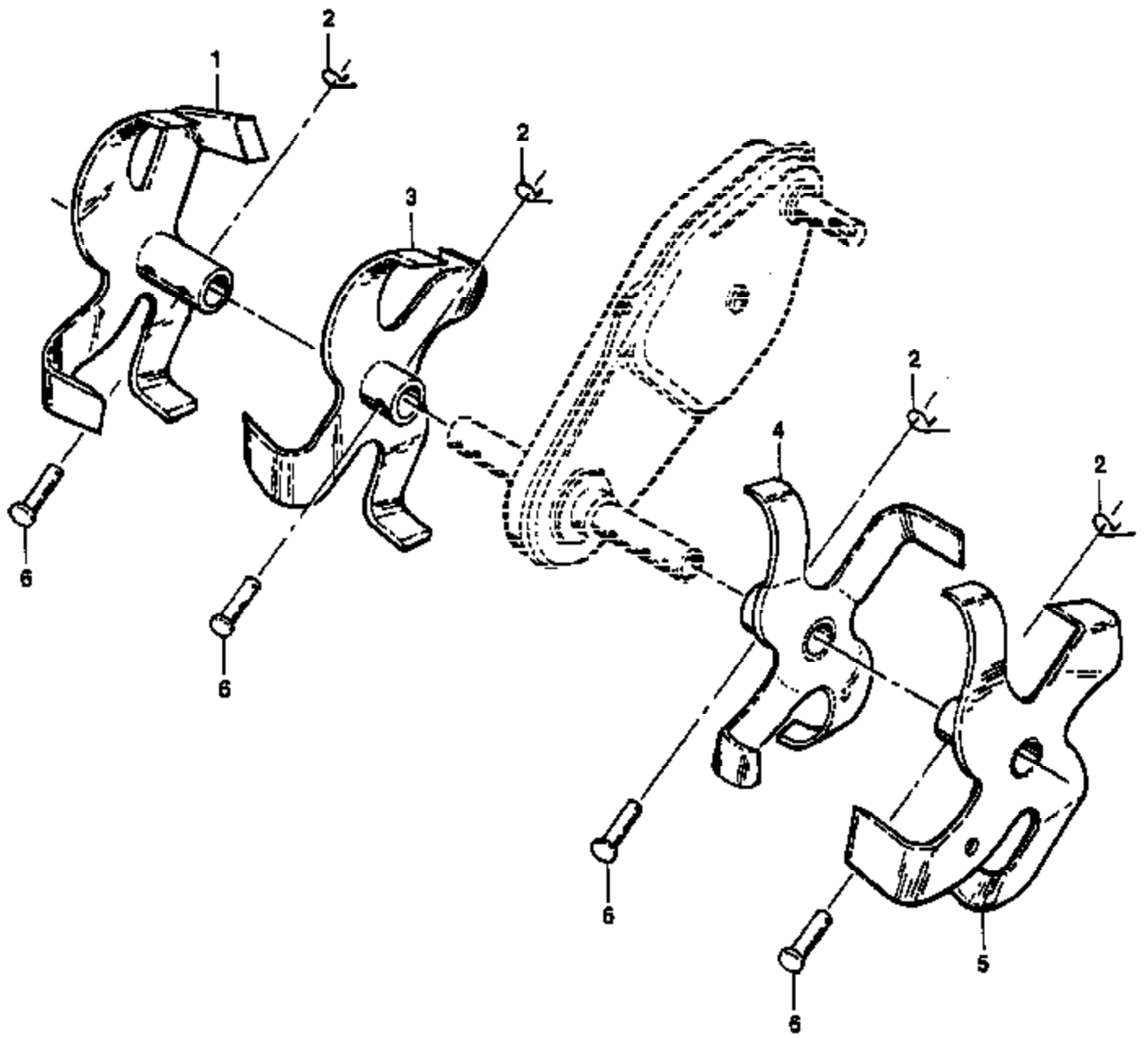
Ref #	Part Number	Qty	Description
1	532134240		Decal, Logo
2	532132834		Decal, HP
3	532132833		Decal, Logo
4	532110613		Decal, Tine Control
5	532110614		Decal, Hand Placement
6	532110612		Decal, Caution
7	532120076		Decal, Warning, Rotating Tines
	532145864		Manual, Owner's (English) Not Shown.
	532145865		Manual, Owner's (French) Not Shown.

PPFT3K Tiller Page 4 of 12  
DECALS



Ref #	Part Number	Qty	Description
1	532125461		Bracket, Handle
2	872140512		Bolt, Carriage 5/16-18 UNC x 1-1/2
3	873680500		Locknut, Crown 5/16-18
4	819111116		Washer 11/32 x 11/16 x 16 Ga.
5	532144539		Handle, L.H.
6	532140536		Grip, Handle
7	874760524		Bolt, Hex 5/16-18 x 1-1/2
8	532003069		Lever, Control, Tine
9	532124797		Grip, Lever
10	532124949		Nut, Hex
11	532003067		Cable, Control, Tine
12	532003070		Spring, Extension
13	819121414		Washer 9/8 x 7/8 x 14 Ga.
14	532136376		Knob, Handle
15	532000471		Bolt, Shoulder 5/16-18 x 3/4
16	810040500		Washer, Lock 5/16
17	873220500		Nut, Hex 5/16-18
18	898000129		Nut, Flanged 5/16-18
19	872140506		Bolt, Carriage 5/16-18 x 3/4 Gr. 5
20	532125462		Panel, Handle
21	872110508		Bolt, Carriage 5/16-18 x 1
22	532144540		Handle, R.H.
23	819131312		Washer 13/32 x 13/16 x 12 Ga.

PPFT3K Tiller Page 6 of 12  
HANDLE ASSEMBLY

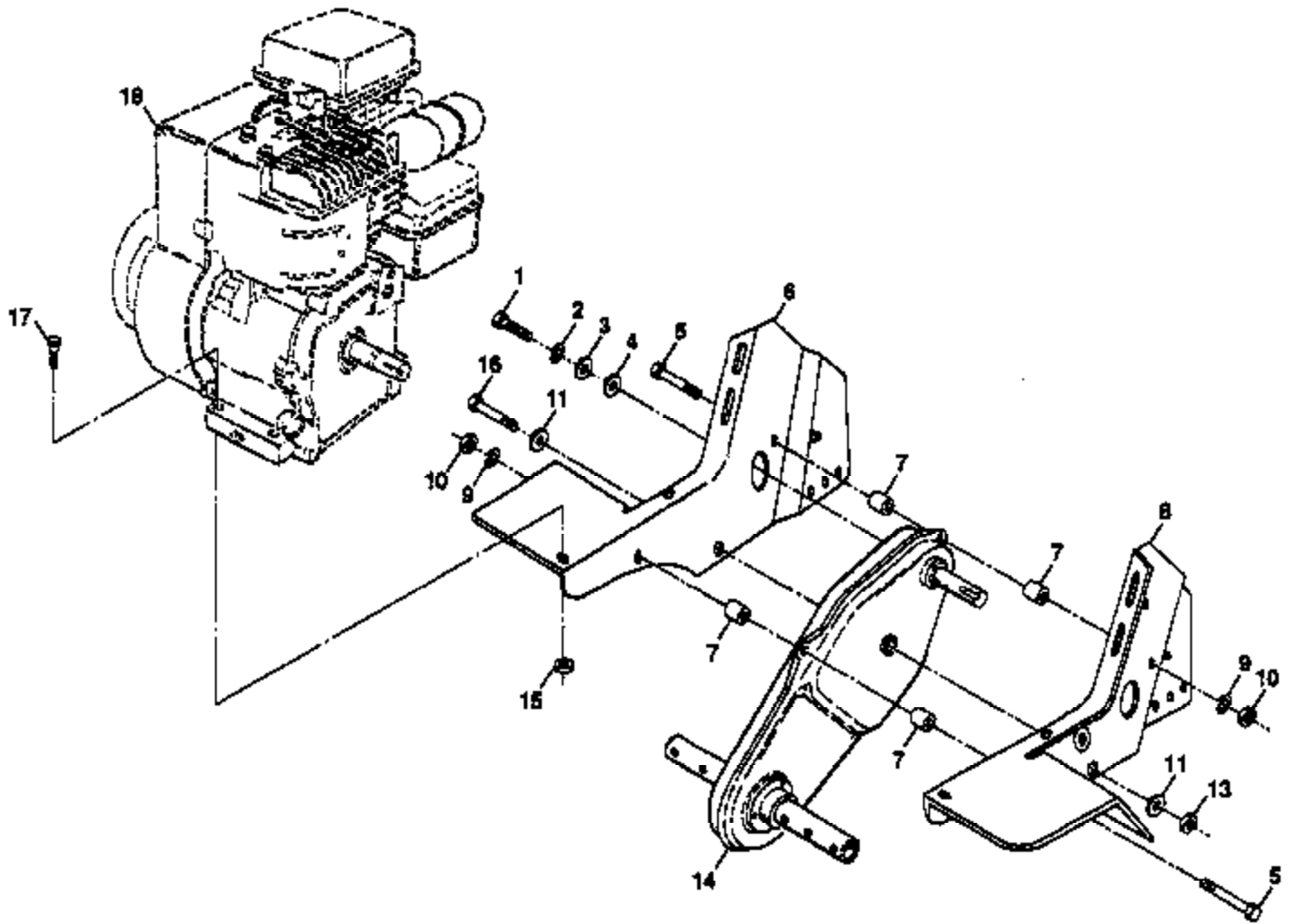


---

Ref #	Part Number	Qty	Description
1	532106860		Tine, Outer, R.H.
2	532124961		Clip, Hairpin
3	532106858		Tine, Inner, R.H.
4	532106857		Tine, Inner, L.H.
5	532106859		Tine, Outer, L.H.
6	532009194		Pin, Clevis

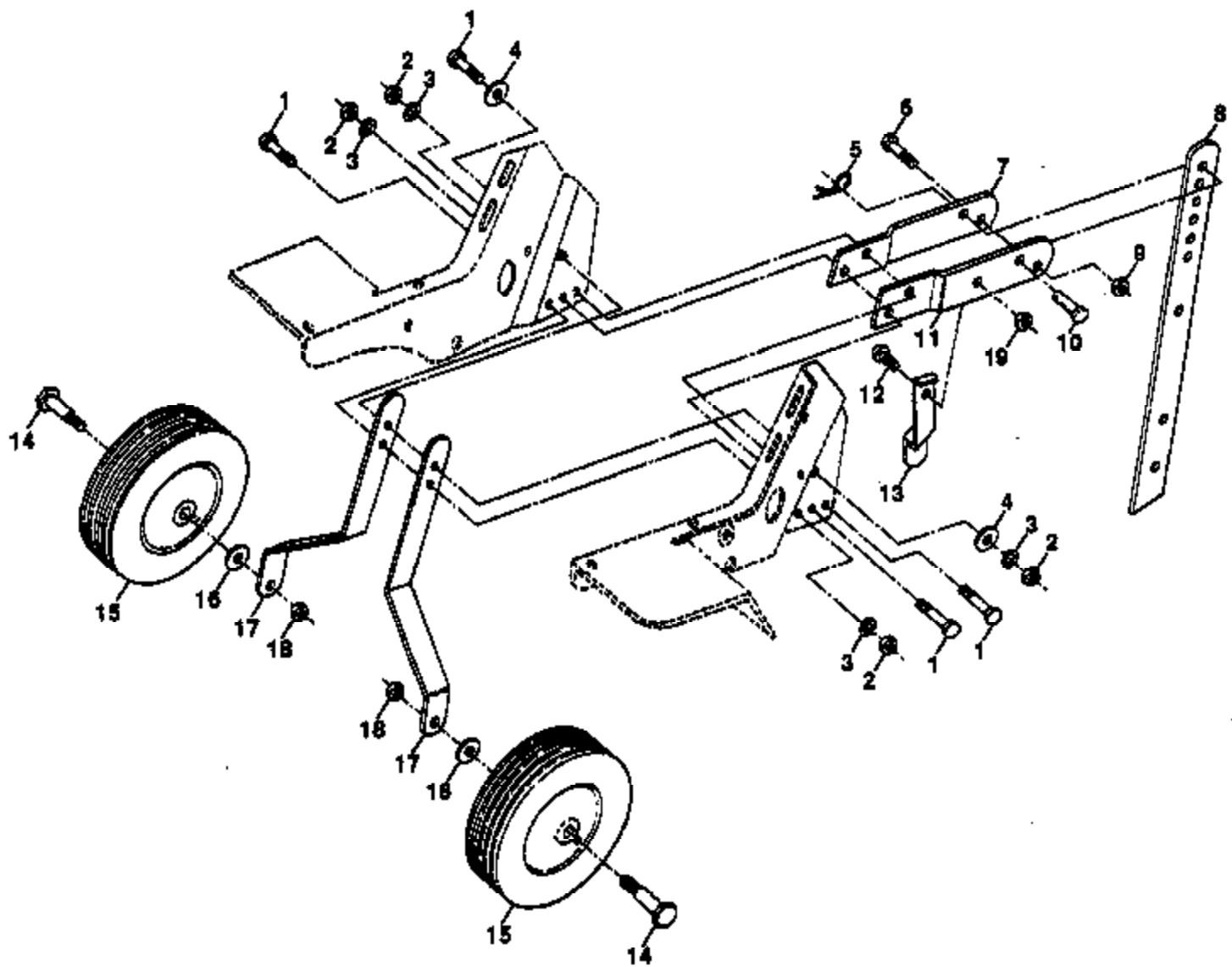
---

PPFT3K Tiller Page 8 of 12  
TINE ASSEMBLY



Ref #	Part Number	Qty	Description
1	874610412		Bolt, Hex 1/4-28 x 3/4 Gr. 5
2	810040400		Washer, Lock 1/4
3	819092016		Washer 9/32 x 1-1/4 x 16 Ga.
4	819091412		Washer 9/32 x 7/8 x 12 Ga.
5	874760544		Bolt, Hex 5/16-18 x 2-3/4
6	532125357		Bracket, Engine, R.H.
7	532009173		Spacer, Split
8	532125358		Bracket, Engine, L.H.
9	810040500		Washer, Lock 5/16
10	873220500		Nut, Hex 5/16-18
11	819131311		Washer 13/32 x 13/16 x 11 Ga.
13	873800600		Locknut, w/Insert 3/8-16
14	532105391		Transmission
15	873510500		Nut, Keys 5/16-18
16	874780652		Bolt, Hex 3/8-16 x 3-1/4
17	874760524		Bolt, Hex 5/16-18 x 1-1/2

PPFT3K Tiller, Page 10 of 12  
TRANSMISSION



Ref #	Part Number	Qty	Description
1	874760520		Bolt, Hex 5/16-18 x 1-1/4
2	873220500		Nut, Hex 5/16-18
3	810040500		Washer, Lock 5/16
4	819121414		Washer 3/8 x 7/8 x 14 Ga.
5	532124961		Clip, Hairpin
6	874780628		Bolt, Fin, Hex 3/8-16 x 1-3/4
7	532000318		Support, Depth Stake, R.H.
8	532144541		Depth Stake
9	873800600		Locknut, w/Insert 3/8-16
10	532009551		Pin, Clevis
11	532000317		Support, Depth Stake, L.H.
12	874760512		Bolt, Hex 5/16-18 x 3/4
13	532000325		Spring, Depth Stake
14	532121117		Bolt, Shoulder
15	532009186		Wheel
16	819131311		Washer 13/32 x 13/16 x 11 Ga.
17	532144538		Bracket, Wheel
18	873680600		Nut, Crownlock 3/8-16
19	873800500		Locknut, w/Insert 5/16-18

PPFT3K Tiller, Page 12 of 42  
WHEEL AND DEPTH STAKE