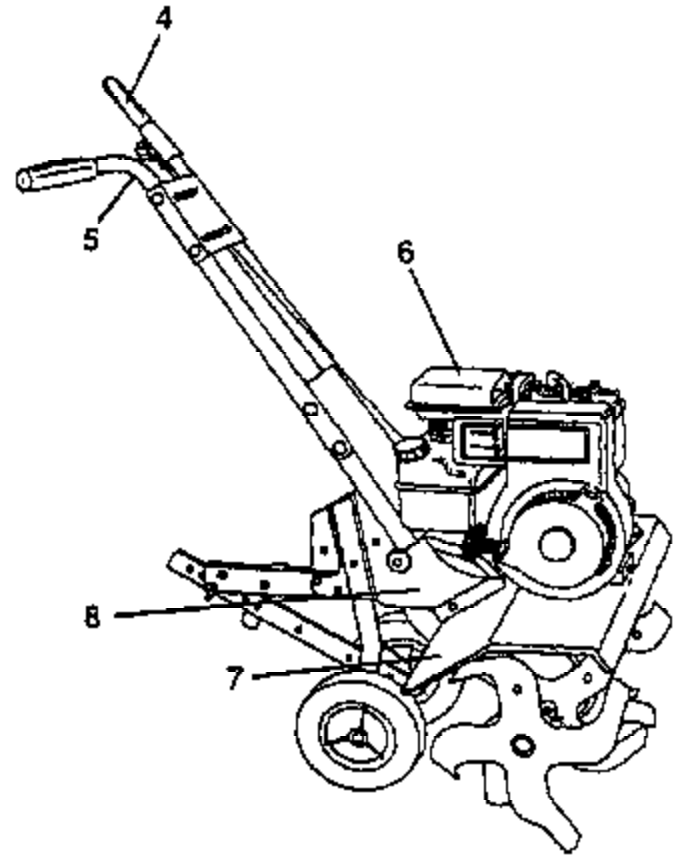
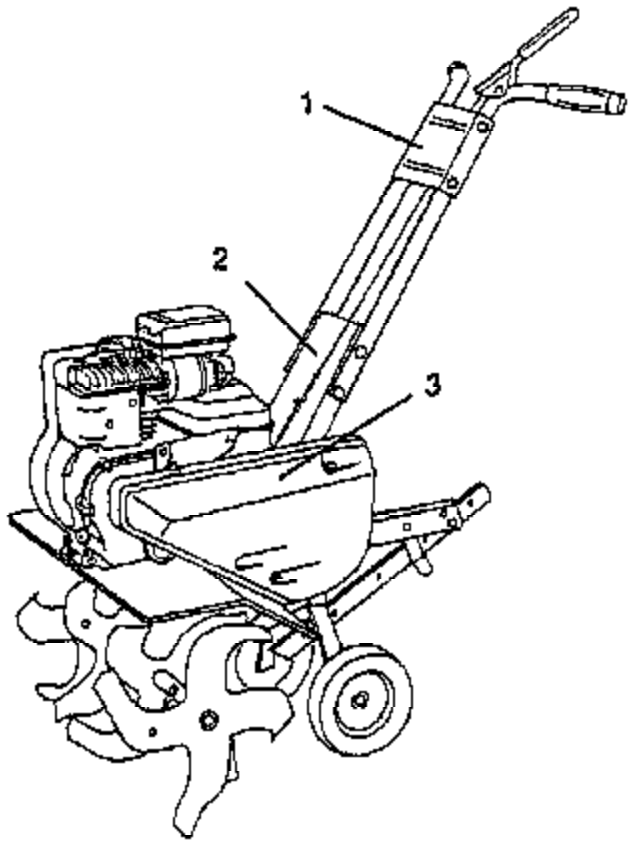
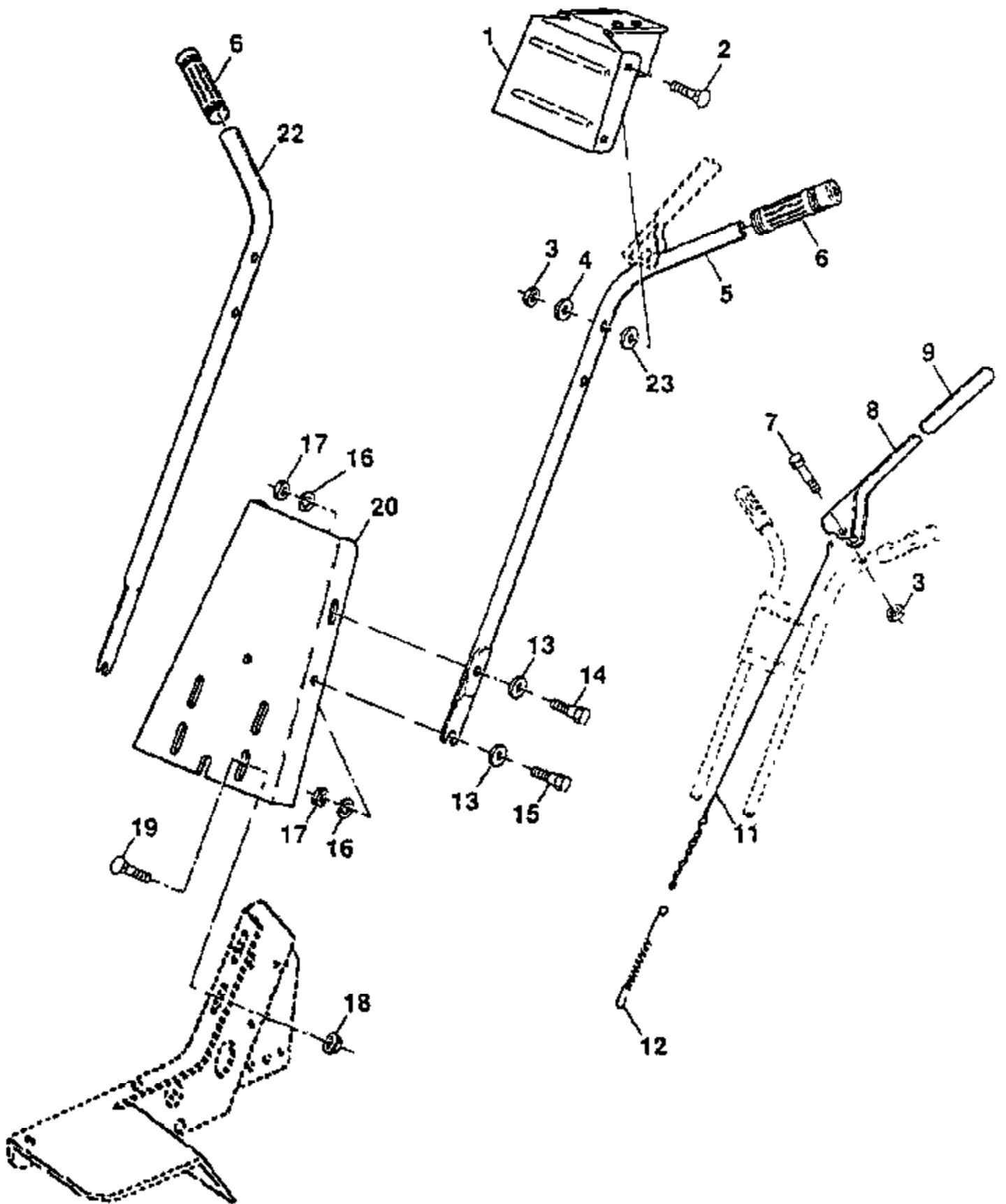


Ref #	Part Number	Qty	Description
1	23230506		Screw, Set, Forged Socket, Headless 5/16-18 x 3/8
2	130811		Pulley, Engine
3	122955X		Bracket Assembly, Guard, Belt
4	72140404		Bolt, Carriage 1/4-20 x 1/2
5	74770812		Bolt, Hex 1/2-20 x 3/4
6	121463X		Keeper, Belt, Transmission Pulley
7	104213X		Nut, Cap 1/4-20
8	19091016		Washer 9/32 x 5/8 x 16 Ga.
9	131157X421		Guard, Belt
10	109227X		Pad, Idler
11	72140406		Bolt, Carriage 1/4-20 x 3/4
12	TH3H390		V-Belt
13	12000028	PPFT35A Tiller, Page 2 of 12	Ring, Retainer
14	151939	Belt Guard and Pulley Asses	Pulley, Transmission
15	532132213		Bolt, Belt Guard
16	12000036		Ring, Klip
17	73350600		Nut, Hex, Jam 3/8-16
18	75673		Pulley, Idler
19	674A30		Idler Arm Assembly
20	74760620		Bolt, Hex 3/8-16 x 1-1/4
21	106968		Shaft, Idler Arm
22	105358X		Shield, Dirt
23	10040400		Washer, Lock 1/4
24	73220400		Nut, Hex 1/4-20
25	73350500		Nut, Hex, Jam 5/16-18



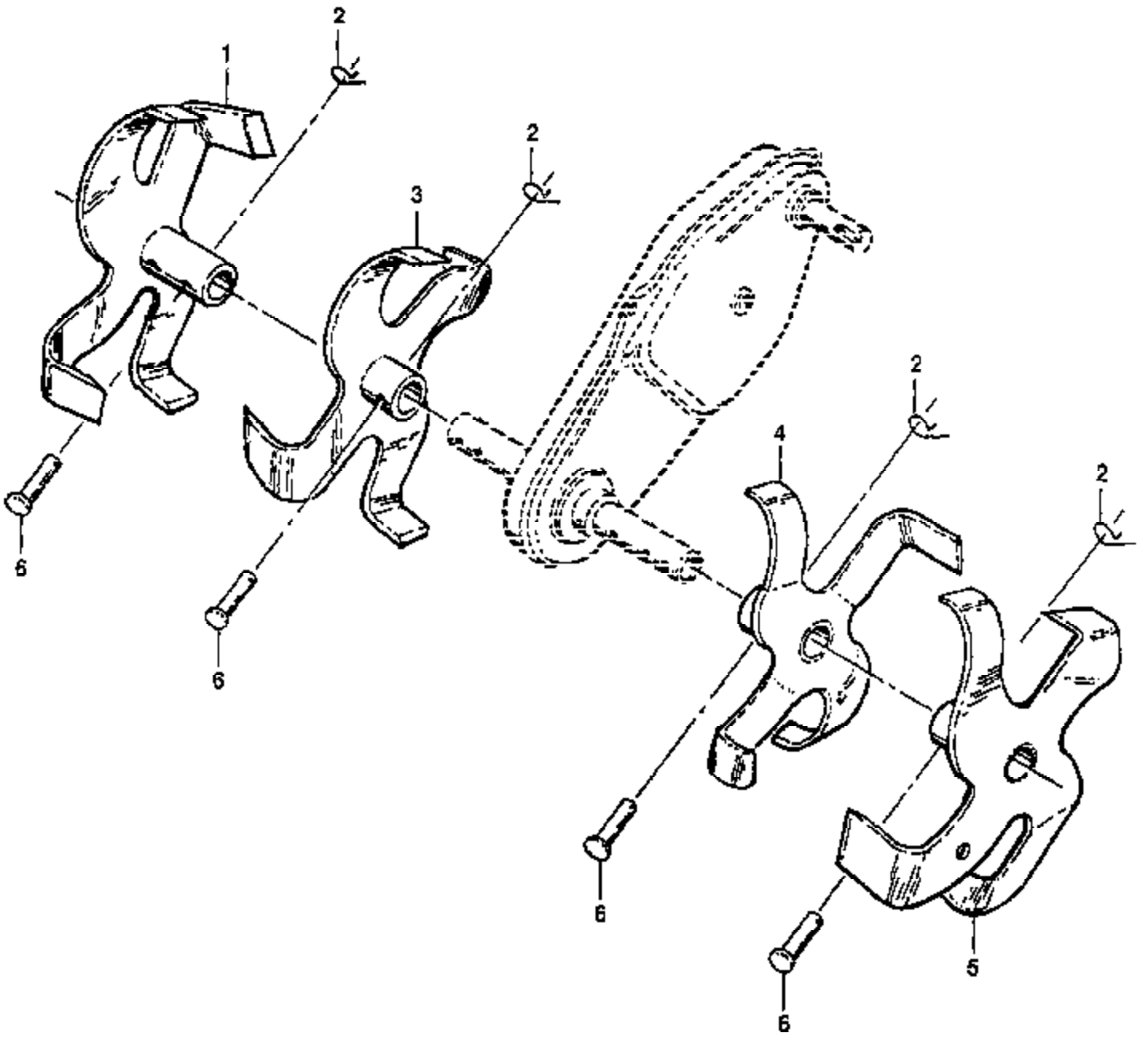
Ref #	Part Number	Qty	Description
1	532157855		Decal, Logo
2	532157856		Decal, HP
3	532157854		Decal, Logo
4	110613		Decal, Tine Control
5	110614		Decal, Hand Placement
6	110612		Decal, Caution
7	120076		Decal, Warning, Rotating Tines
8	150496		Decal, Cust Assist
	532157555		Manual, Owner's (English)
	532157556		Manual, Owner's (French)

PPFT35A Tiller Page 4 of 12
Decals



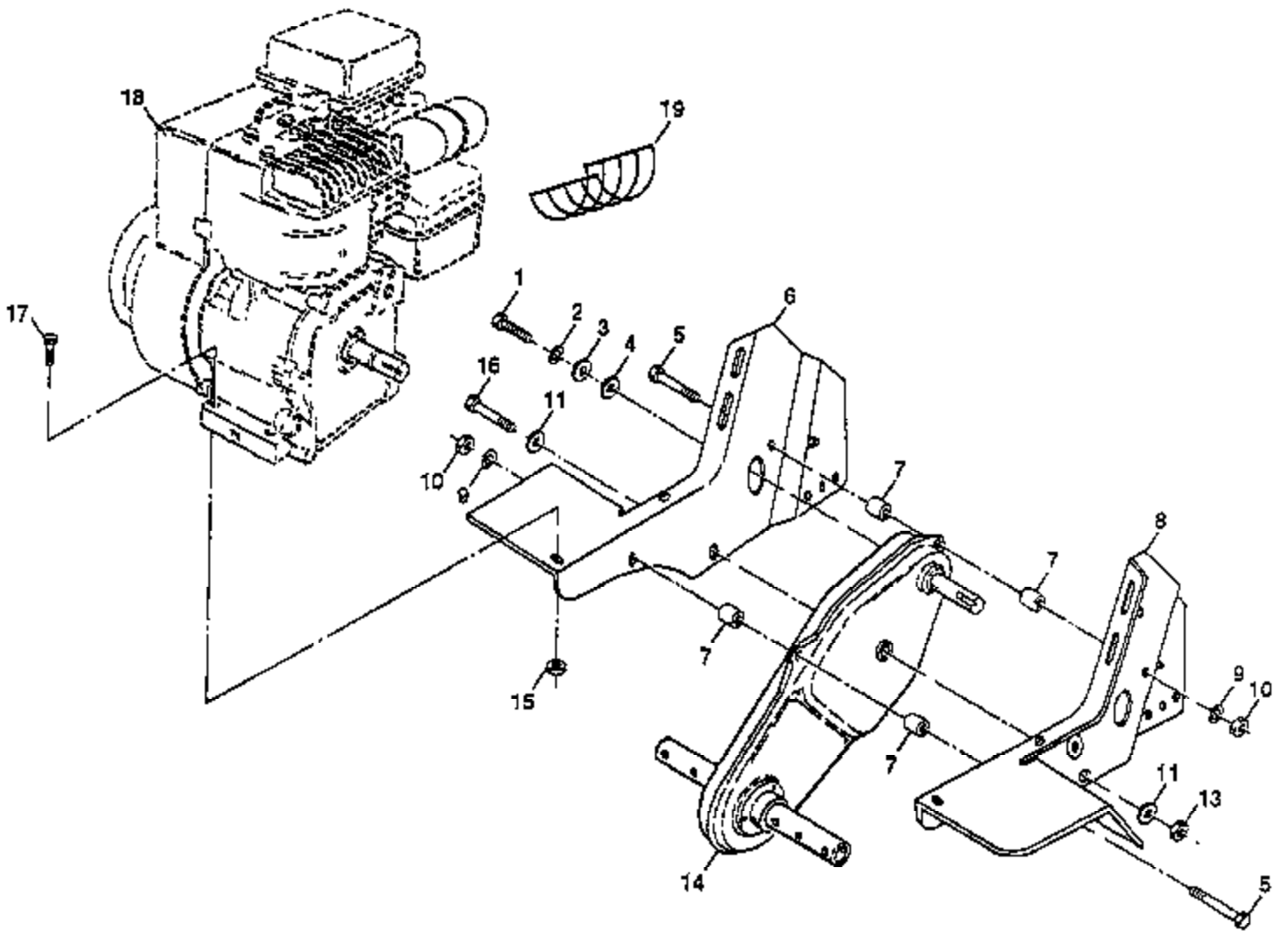
Ref #	Part Number	Qty	Description
1	137176X421		Bracket, Handle
2	72140512		Bolt, Carriage 5/16-18 UNC x 1-1/2
3	73680500		Locknut, Crown 5/16-18
4	19111116		Washer 11/32 x 11/16 x 16 Ga.
5	151473		Handle, L.H.
6	624A78		Grip, Handle
7	74760524		Bolt, Hex 5/16-18 x 1-1/2
8	3069J		Lever, Control, Tine
9	8206H		Grip, Lever
11	100382K		Cable, Control, Tine
12	3070J		Spring, Extension
13	19121414		Washer 3/8 x 7/8 x 14 Ga.
14	74760516		Bolt, Hex Hd 5/16-18 x 1
15	74760512		Bolt, Hex Hd 5/16-18 x 3/4
16	10040500		Washer, Lock 5/16
17	73220500		Nut, Hex 5/16-18
18	98000129		Nut, Flanged 5/16-18
19	72140506		Bolt, Carriage 5/16-18 x 3/4 Gr. 5
20	9209R421		Panel, Handle
22	151474		Handle, R.H.
23	19131312		Washer 13/32 x 13/16 x 12 Ga

PPFT35A Tiller, Page 6 of 12
 Handle Assembly

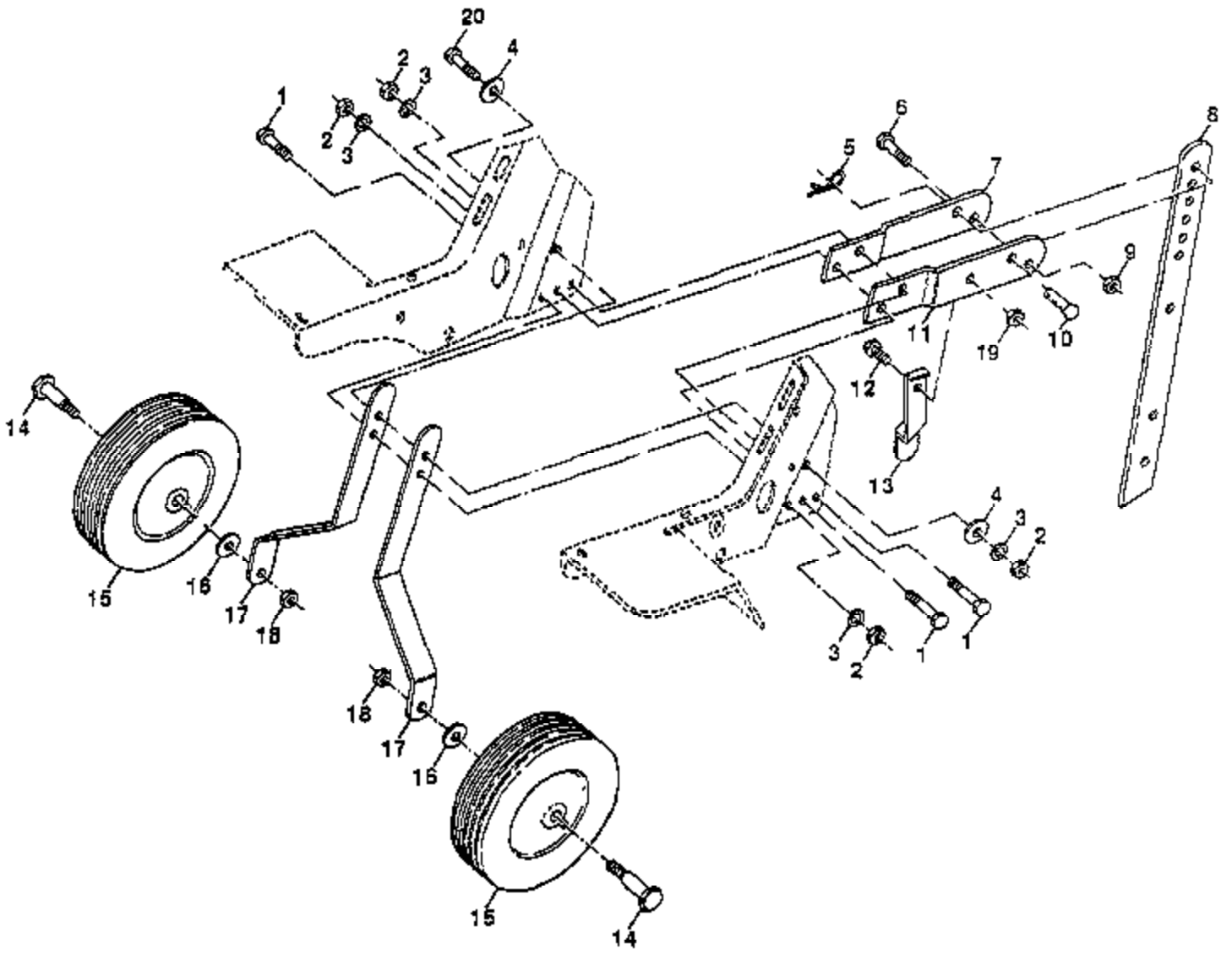


Ref #	Part Number	Qty	Description
1	106860X		Tine, Outer, R.H.
2	4921H		Clip, Hairpin
3	106858X		Tine, Inner, R.H.
4	106857X		Tine, Inner, L.H.
5	106859X		Tine, Outer, L.H.
6	9194R		Pin, Clevis

PPFT35A Tiller Page 8 of 12
Tine Assembly



Ref #	Part Number	Qty	Description
1	74610412		Bolt, Hex 1/4-28 x 3/4 Gr. 5
2	10040400		Washer, Lock 1/4
3	19092016		Washer 9/32 x 1-1/4 x 16 Ga.
4	19091412		Washer 9/32 x 7/8 x 12 Ga.
5	74760544		Bolt, Hex 5/16-18 x 2-3/4
6	2606J421		Bracket, Engine, R.H.
7	9173R		Spacer, Split
8	132212X421		Bracket, Engine, L.H.
9	10040500		Washer, Lock 5/16
10	73220500		Nut, Hex 5/16-18
11	19131311		Washer 13/32 x 13/16 x 11 Ga.
13	73800600		Locknut, w/Insert 3/8-16
14	151937	PPFT35A Title Page 10 of 12 Transmission	Transmission
15	73510500		Nut, Keps 5/16-18
16	74780652		Bolt, Hex 3/8-16 x 3-1/4
17	74760524		Bolt, Hex 5/16-18 x 1-1/2
18			Engine, Briggs & Stratton Model No. 91202
19			UNKNOWN



Ref #	Part Number	Qty	Description
1	74760520		Bolt, Hex 5/16-18 x 1-1/4
2	73220500		Nut, Hex 5/16-18
3	10040500		Washer, Lock 5/16
4	19121414		Washer 3/8 x 7/8 x 14 Ga.
5	4921H		Clip, Hairpin
6	74780628		Bolt, Fin, Hex 3/8-16 x 1-3/4
7	318J		Support, Depth Stake, R.H.
8	9193R500		Depth Stake
9	73800600		Locknut, w/Insert 3/8-16
10	9551R		Pin, Clevis
11	317J500		Support, Depth Stake, L.H.
12	74760512		Bolt, Hex 5/16-18 x 3/4
13	325J		Spring, Depth Stake
14	121117X	PPFT35A Tiller Page 12 of 42	Depth Stake Assy
15	127858	Wheel and Bolt, Shoulder	Wheel
16	19131311		Washer 13/32 x 13/16 x 11 Ga
17	674H4		Bracket, Wheel
18	73680600		Nut, Crownlock 3/8-16
19	73800500		Locknut, w/Insert 5/16-18
20	74760524		Bolt Hex 5/16-18 x 1-1/2