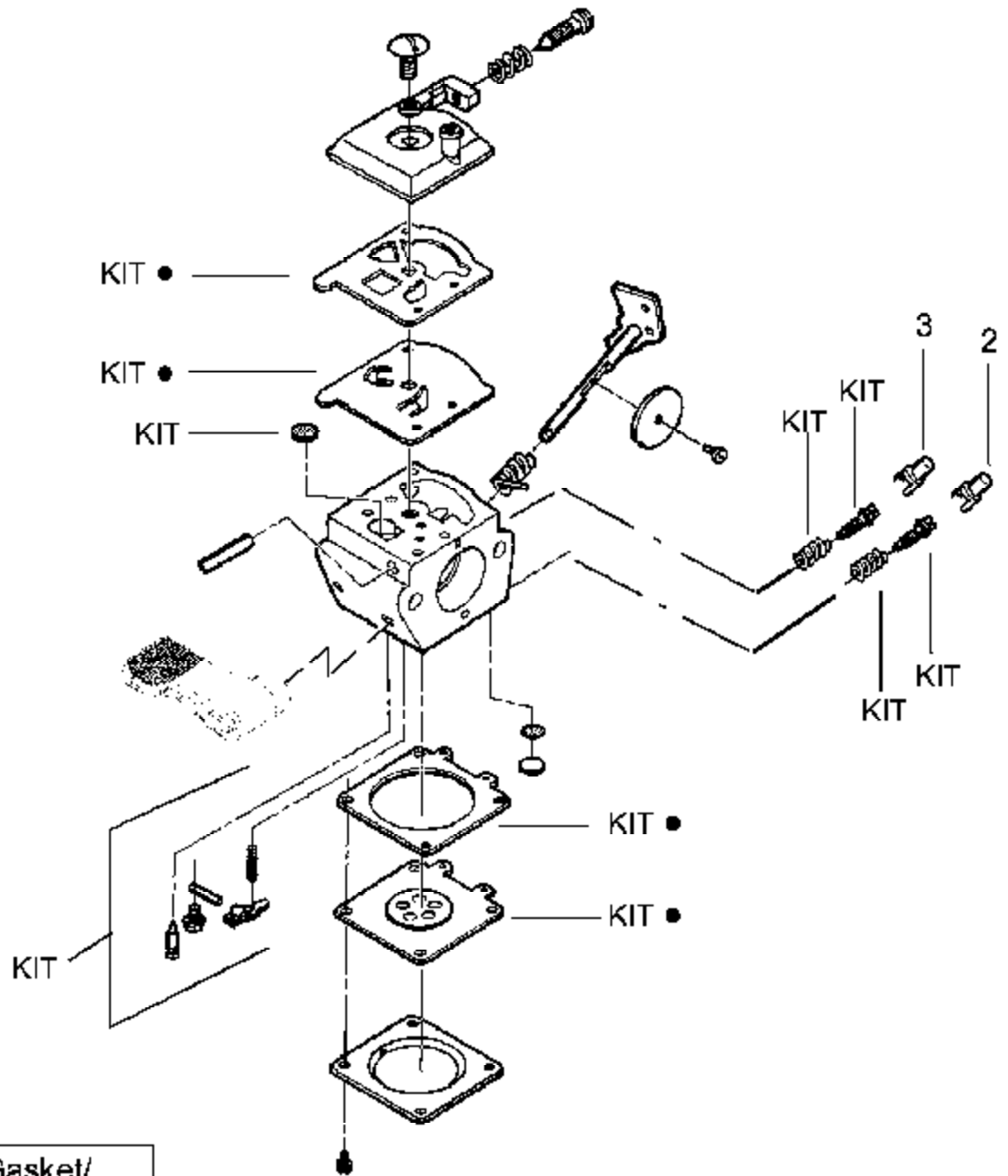


Kit - Carburetor Assembly No. 530071565 - WT619



Carb.
Repair
Kit

1

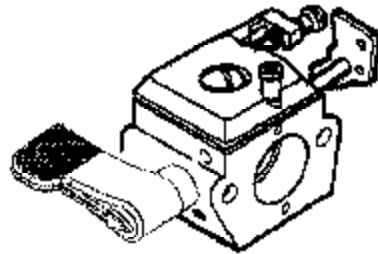
Gasket/
Diaphragm
Kit

4

| Ref # | Part Number | Qty | Description |
|-----------|-------------|-----|--|
| 1 | 530069824 | | Carburetor Repair Kit (KIT=Indicates Contents) |
| 2 | 530038478 | | Limiter Cap-Low (tan) |
| 3 | 530038479 | | Limiter Cap-High (brown) |
| 4 | 530069844 | | Gasket/Diaphragm Kit (DOT=Indicates Contents) |
| 530071565 | 530071565 | | Carburetor Assembly - WT619 |

PP445 Gas Pole Page 2 of 11
 Carburetor Assembly (WT619)

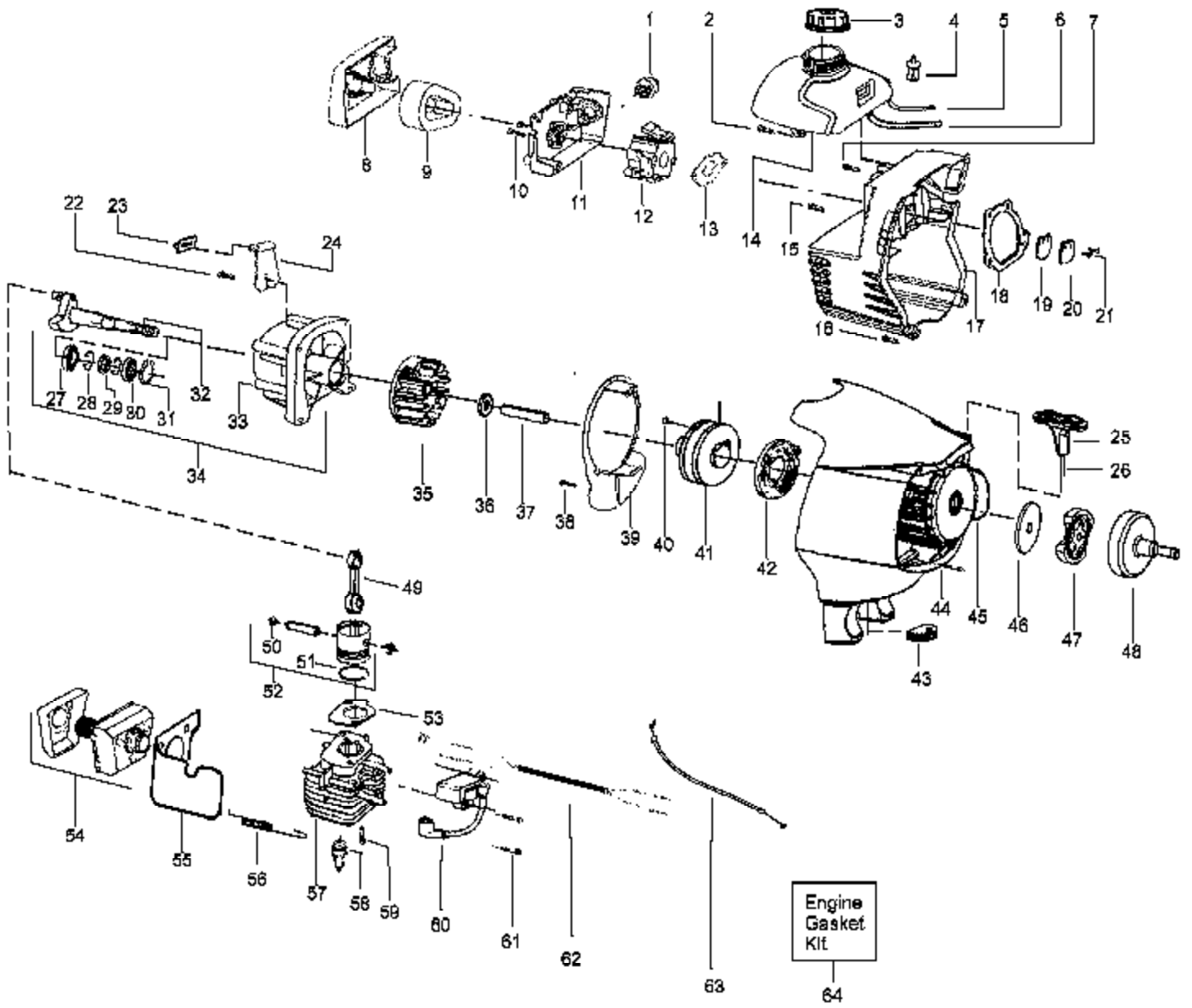
530071637



Note: No Repair kits are available for this carburetor, please order the complete assembly part number 530-071637 - WT 628

| Ref # | Part Number | Qty | Description |
|-----------|-------------|-----|-----------------------------------|
| 530071637 | 530071637 | | Kit - Carburetor Assembly - WT628 |

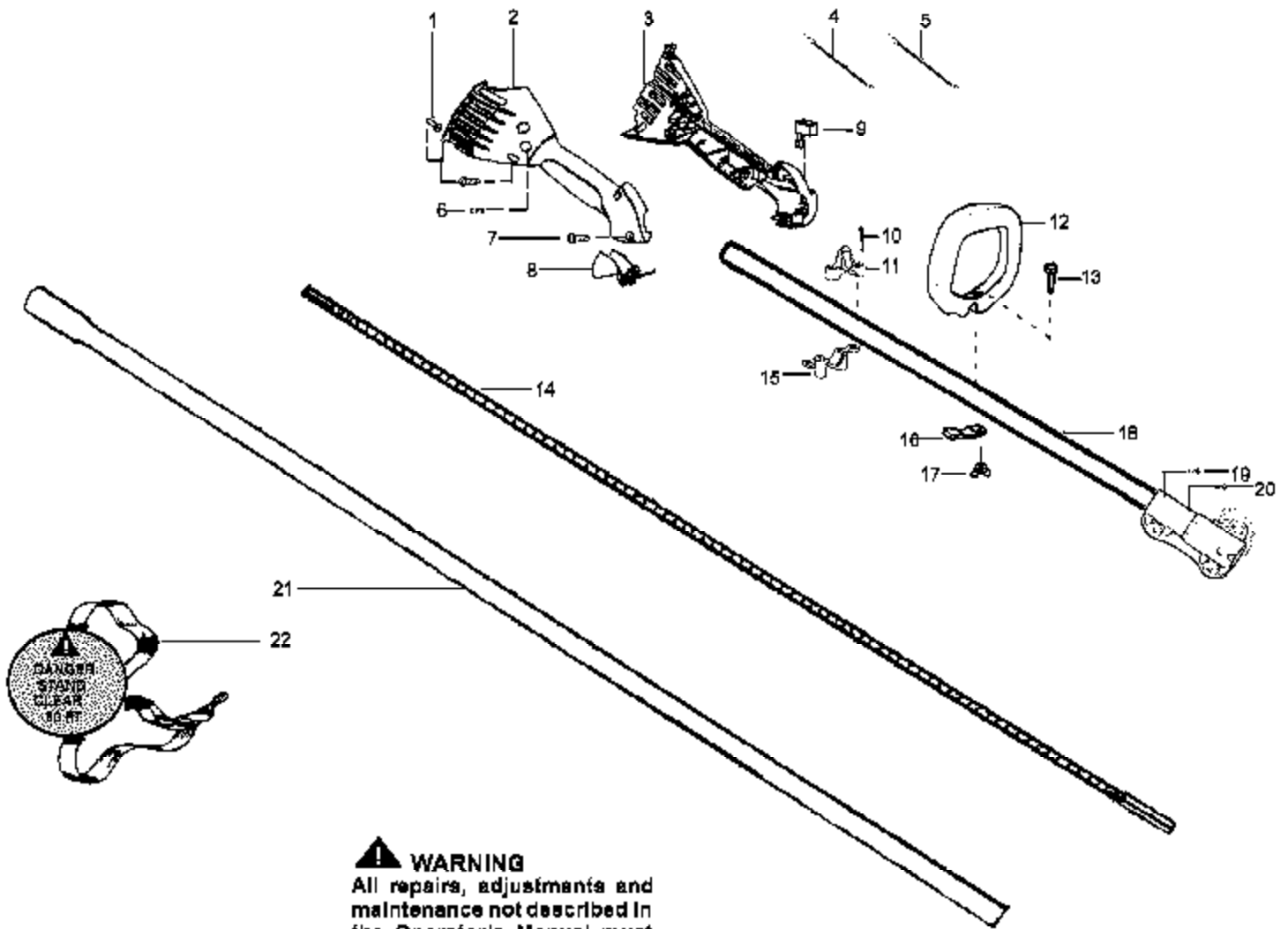
PP445 Gas Pole Page 4 of 11
Carburetor Assembly (WT628)



| Ref # | Part Number | Qty | Description |
|-------|-------------|--------------------------|---|
| 1 | 530047721 | | Bulb-purge |
| 2 | 530015843 | | Screw-tank |
| 3 | 530049386 | | Assy-Fuel cap w/ret. |
| 4 | 530095646 | | Assy-Fuel pick-up |
| 5 | 530069247 | | Kit-Fuel line |
| 6 | 530069216 | | Kit-Fuel/Purge line |
| 7 | 530015775 | | Screw |
| 8 | 530054935 | | Cover-Air box |
| 9 | 530054946 | | Filter-Air |
| 10 | 530015849 | | Screw-carb. |
| 11 | 530054934 | | Air Box |
| 12 | 530071565 | | Kit-Carb Assy. (Wt-619) |
| 12 | 530071636 | PP445 Gas Pole Pump of 1 | Kit-Carb Assy. (WT-627) |
| 13 | 530071401 | Engine Assembly | Gasket-Carb. (kit) |
| 14 | 530055317 | | Assy-Fuel tank |
| 15 | 530015771 | | Screw-crankcase |
| 16 | 530015952 | | Screw-shrd to f/hsg. |
| 17 | 530056044 | | Shroud |
| 18 | 530071401 | | Gasket-c/case (kit) |
| 19 | 530027593 | | Valve-reed |
| 20 | 530054596 | | Stop-reed valve |
| 21 | 530016064 | | Screw-reed valve |
| 22 | 530015875 | | Screw-tank retainer |
| 23 | 530055492 | | Isolator-fuel tank |
| 24 | 530054941 | | Ret.-fuel tank |
| 25 | 530054834 | | Handle-starter |
| 26 | 530071325 | | Kit-Rope |
| 27 | 530032103 | | Bearing-inner |
| 28 | 530015787 | | Retainer |
| 29 | 530019158 | | Seal |
| 30 | 530032102 | | Bearing-outer |
| 31 | 530015789 | | Retainer-crankshaft |
| 32 | 530054948 | | Assy-crankshaft |
| 33 | 530014016 | | Assy-crankcase |
| 34 | 530055372 | | Assy-c'case/c'shaft (Incl. 27-31,32,33) |
| 35 | 530071402 | | Kit-Flywheel Assy. |
| 36 | 530016030 | | Washer |
| 37 | 530055620 | | Spacer |
| 38 | 530015775 | | Screw-baffle |
| 39 | 530056864 | | Plate-baffle |
| 40 | 530016326 | | Screw-rope |
| 41 | 530071399 | | Kit-pulley (Incl. #40) |
| 42 | 530042086 | | Spring-starter |
| 43 | 530019182 | | Grommet |
| 44 | 530015810 | | Screw-F/hsg |
| 45 | 530055248 | | Housing-Fan w/eyelet |
| 46 | 530094189 | | Washer-Clutch |
| 47 | 530055122 | | Assy.-Clutch |
| 48 | 530028799 | | Assy-Drum |
| 49 | 530010960 | | Assy-Connecting rod |
| 50 | 530015162 | | Retainer-piston pin |
| 51 | 530025875 | | Ring-Piston |
| 52 | 530069277 | | Kit-Piston |
| 53 | 530071401 | | Gasket-Cylinder (kit) |
| 54 | 530069310 | | Kit-Muffler |
| 55 | 530053346 | | Heat shield/air dam |

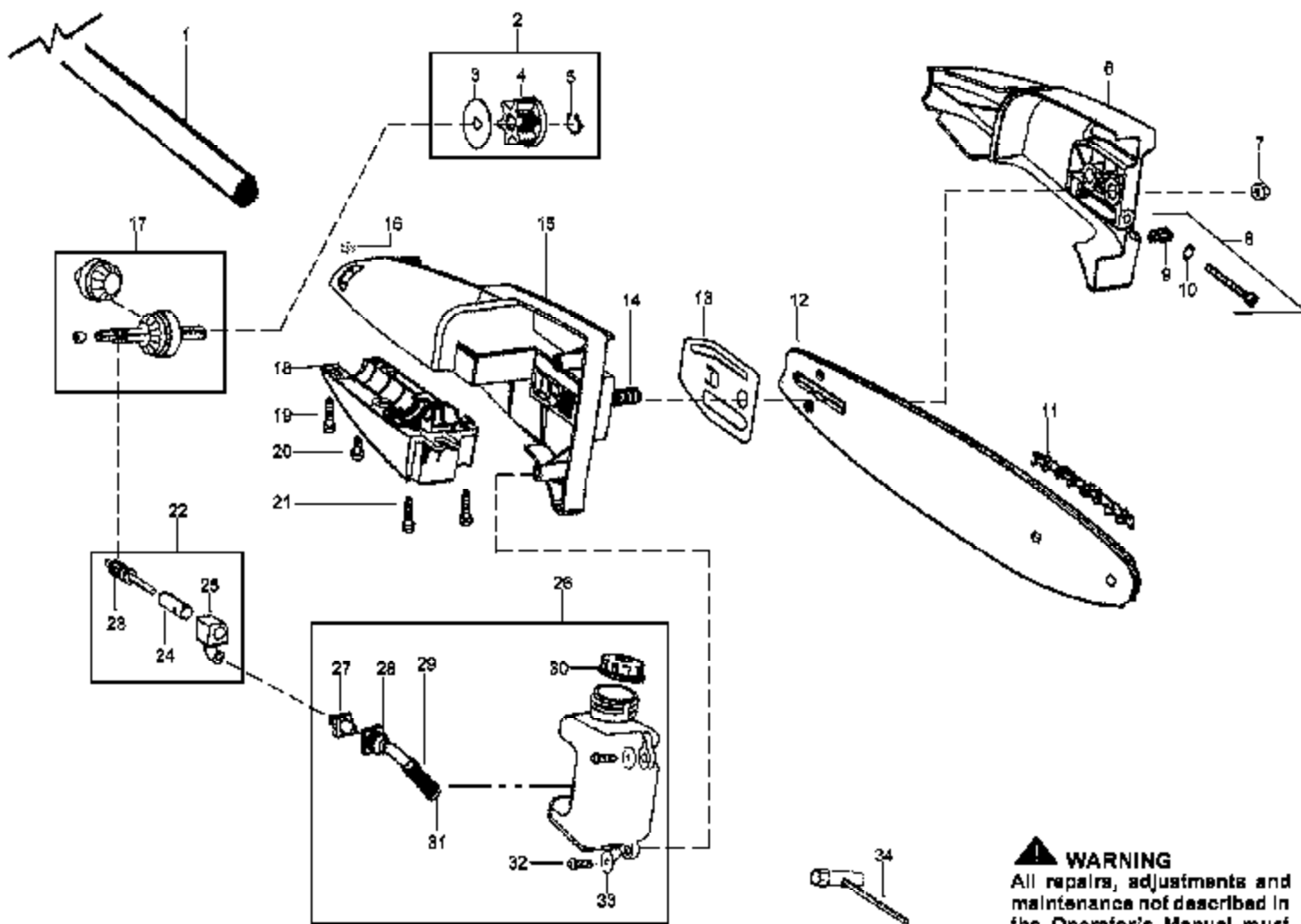
| Ref # | Part Number | Qty | Description |
|-------|-------------|-----|-------------------------------|
| 56 | 530036409 | | Spring-muffler |
| 57 | 530071581 | | Kit-Cylinder |
| 58 | 952030249 | | Spark plug (RCJ-6Y) |
| 59 | 530001624 | | Bolt-Cylinder |
| 60 | 530039218 | | Module-Ignition |
| 61 | 530016357 | | Screw-module |
| 62 | 530057238 | | Assy-Leadwire |
| 63 | 530054942 | | Assy-Throttle Cable |
| 64 | 530071401 | | Kit-Gasket (Incl. # 13,18,53) |

PP445 Gas Pole Page 7 of 11
Engine Assembly



⚠ WARNING
All repairs, adjustments and maintenance not described in the Operator's Manual must be performed by qualified service personnel.

| Ref # | Part Number | Qty | Description |
|-------|-------------|-------------------------|------------------------------|
| 1 | 530015886 | | Screw |
| 2 | 530054837 | | Hsg.-Throttle right |
| 3 | 530056017 | | Hsg.-Throttle left |
| 4 | 530054943 | | Assy-Wire |
| 5 | 530055724 | | Assy-Upper Wire |
| 6 | 530015805 | | Screw-Align |
| 7 | 530015886 | | Screw |
| 8 | 530054940 | | Trigger |
| 9 | 530069572 | | Kit-Switch |
| 10 | 530015770 | | Screw |
| 11 | 530055392 | | Clamp-Upper |
| 12 | 530055699 | | Assy-Handle (Incl .13,16,17) |
| 13 | 530015820 | PP445 Gas Bolt | Bolt |
| 14 | 530056570 | Handle & Shaft Assembly | Hex-Lower |
| 15 | 530055394 | | Clamp-Lower |
| 16 | 530088416 | | Clamp-Handle |
| 17 | 530016118 | | Wingnut |
| 18 | 530071607 | | Kit-Upper Shaft |
| 19 | 530016343 | | Screw-Alignment |
| 20 | 530016344 | | Screw |
| 21 | 530096062 | | Assy-Driveshaft |
| 22 | 530094417 | | Assy-Shoulder Strap |
| | 530163735 | | Manual Not Shown |
| | 530056846 | | Decal-Shaft Lower Not Shown |
| | 530095894 | | Att. - Hanger Not Shown |
| | 530057296 | | Decal-Upper Shaft Not Shown |
| | 530031159 | | Wrench-Hex (5/32) Not Shown |
| | 530057369 | | Decal-Start Inst. Not Shown |



⚠ WARNING
 All repairs, adjustments and maintenance not described in the Operator's Manual must be performed by qualified service personnel.

| Ref # | Part Number | Qty | Description |
|-------|-------------|-----------------|----------------------------------|
| 1 | 530096062 | | Assy-Driveshaft |
| 2 | 530071647 | | Kit-Sprocket Assy. (Incl. 3,4,5) |
| 3 | 530056521 | | Washer |
| 4 | 530056520 | | Sprocket |
| 5 | 530056563 | | Retainer-Sprocket |
| 6 | 530057100 | | Assy-Bar Clamp (Incl. #8) |
| 7 | 530015917 | | Nut-Bar Mounting |
| 8 | 530069611 | | Kit-Bar Adjust (Incl. 9,10) |
| 9 | 530015826 | | Pin-Bar Adjust |
| 10 | 530038593 | | Retainer-Bar Adjust |
| 11 | 530051524 | | Chain-8" |
| 12 | 530044908 | | Bar-8" |
| 13 | 530056523 | PP445 Gas Plate | Plate-Bar 11 |
| 14 | 530016133 | Oil Tank & Bolt | Bar Clamp Asserr |
| 15 | 530056513 | | Hsg.-Upper (Incl. #14) |
| 16 | 530016284 | | Nut |
| 17 | 530071646 | | Kit-Gear Assy |
| 18 | 530056514 | | Hsg.-Lower |
| 19 | 530016312 | | Screw |
| 20 | 530015805 | | Screw-Align |
| 21 | 530015886 | | Screw |
| 22 | 530071645 | | Kit-Oil Assy (Incl. 23,24,25) |
| 23 | 530053764 | | Assy-Gear Plunger |
| 24 | 530053765 | | Barrel |
| 25 | 530056522 | | Block-Oil |
| 26 | 530056528 | | Assy-Oil Tank (Incl. 27-31) |
| 27 | 530056524 | | Fitting-Oil Line |
| 28 | 530021160 | | Intake-Oil Line |
| 29 | 530037821 | | Filter-Oil |
| 30 | 530053072 | | Cap-Oil |
| 31 | 530030189 | | Plug-Oil Filter |
| 32 | 530015886 | | Screw |
| 33 | 530015382 | | Washer |
| 34 | 530031163 | | Wrench-Bar |