

Carb. Kwik
Repair Kit

24.

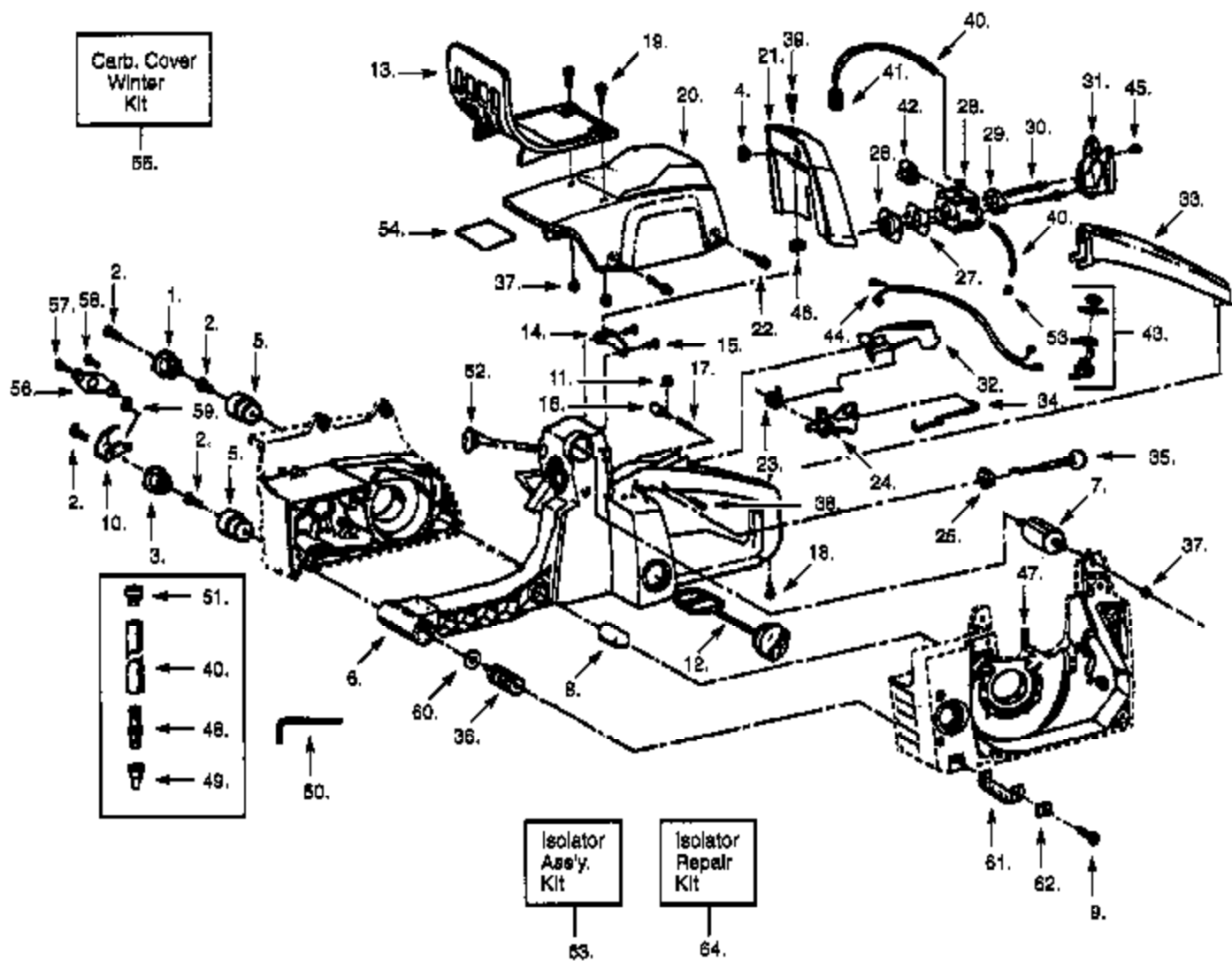
Carb. Gasket/
Diaphragm Kit

25.

| Ref # | Part Number | Qty | Description |
|-------|-------------|-----|--|
| 1 | 530035237 | | Screw |
| 2 | 530035227 | | Fuel Pump Gasket |
| 3 | 530035229 | | Fuel Pump Diaphragm |
| 4 | 530035249 | | Inlet Screen Included in Carburetor Kwik Repair Kit. |
| 5 | 530035244 | | Throttle Spring |
| 6 | 530035216 | | Choke Shaft & Lever Ass'y. |
| 7 | 530035223 | | Inlet Needle Valve Included in Carburetor Kwik Repair Kit. |
| 8 | 530035236 | | Screw Included in Carburetor Kwik Repair Kit. |
| 9 | 530035250 | | Pin Included in Carburetor Kwik Repair Kit. |
| 10 | 530035252 | | Metering Lever Included in Carburetor Kwik Repair Kit. |
| 11 | 530035241 | | Spring Included in Carburetor Kwik Repair Kit. |
| 12 | 530035239 | | Screw |
| 13 | 530035230 | | Metering Diaphragm |
| 14 | 530035228 | | Metering Diaphragm Gasket |
| 15 | 530035204 | | Retaining Ring Included in Carburetor Kwik Repair Kit. |
| 16 | 530035248 | | Check Valve Screen Included in Carburetor Kwik Repair Kit. |
| 17 | 530035226 | | Ball |
| 18 | 530035240 | | Spring |
| 19 | 530035243 | | Needle Adjusting Spring |
| 20 | 530035245 | | High Speed Needle |
| 21 | 530035246 | | Idle Needle |
| 22 | 530035238 | | Idle Adjust Screw |
| 23 | 530035242 | | Idle Adjust Spring |
| 24 | 530035209 | | Kwik Repair Kit |
| 25 | 530035213 | | Carb. Gasket Kit |
| | 530035224 | | Welch Plug |
| | 530035225 | | Plug Cup |

PP335 Gas Saw Page 2 of 11

CARBURETOR HDA #19 BB

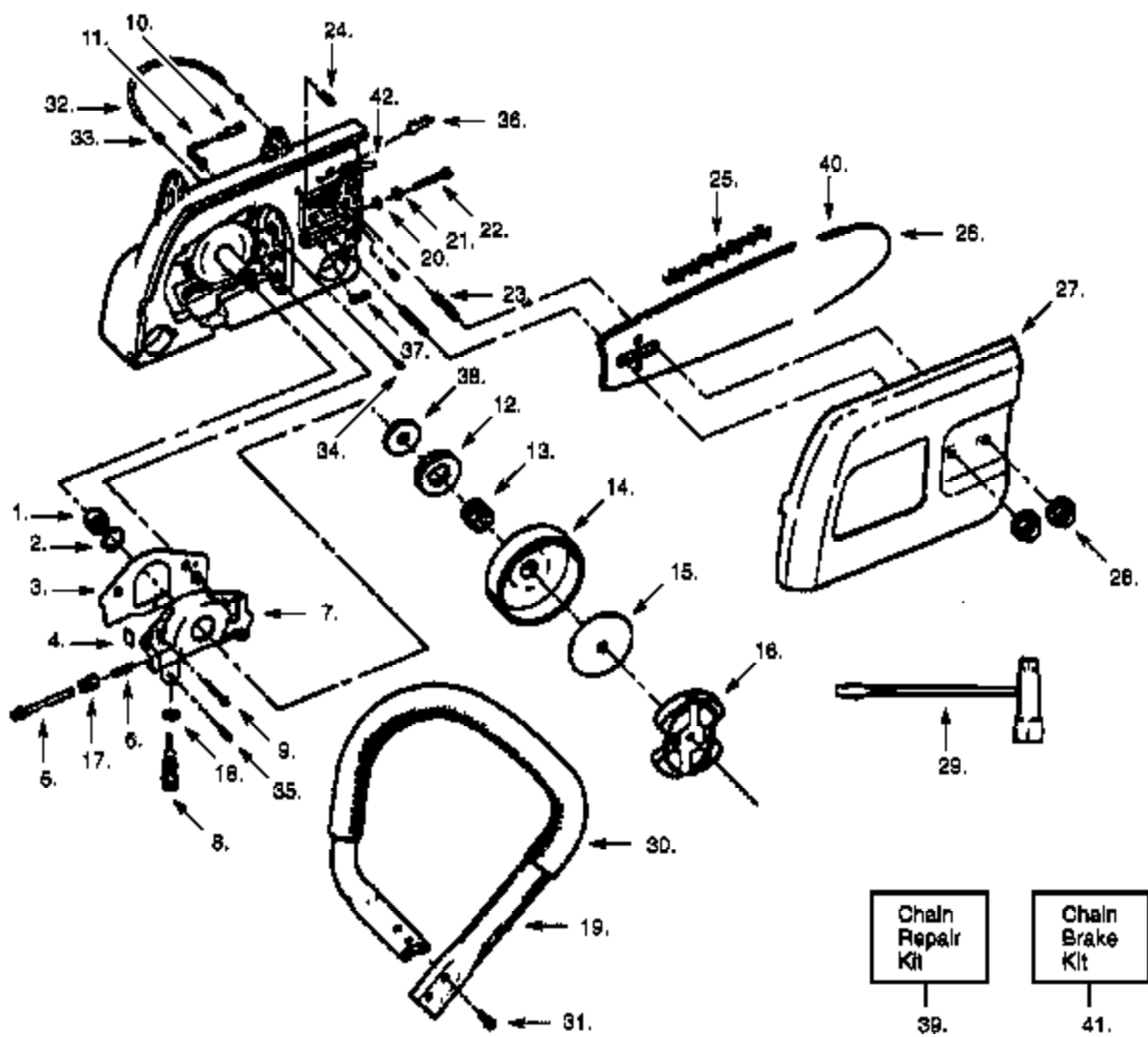


| Ref # | Part Number | Qty | Description |
|-------|-------------|-----|-------------------------------------|
| 1 | 530027732 | | Retainer Mount |
| 2 | 530016057 | | Screw |
| 3 | 530027732 | | Chain Catcher Retainer-Serv. Ref. 1 |
| 4 | 530027399 | | Carb. Cover Bumper |
| 5 | 530027392 | | Lower Isolator |
| 6 | 530010877 | | Type I |
| 6 | 530069391 | | Type II |
| 7 | 530027394 | | Cylindrical Mount |
| 8 | 530027187 | | Isolator Limiter |
| 9 | 530015715 | | Type I |
| 9 | 530015871 | | Type II |
| 10 | 530027733 | | Chain Catcher-Serv. Ref. 1 |
| 11 | 530015702 | | Chain Catcher |
| 12 | 530010845 | | Fuel Cap Assy. |
| 13 | 530027181 | | Handguard |
| 14 | 530027191 | | Bracket |
| 15 | 530015598 | | Screw |
| 16 | 530027139 | | (Two piece design) |
| 16 | 530029666 | | (One piece design) |
| 17 | 530024772 | | Throttle Lock Spring |
| 18 | 530015716 | | Screw |
| 19 | 530015406 | | Screw |
| 20 | 530069279 | | Cylinder Shield Kit (Inc.54.) |
| 21 | 530027178 | | Carb. Cover |
| 22 | 530015871 | | Screw |
| 23 | 530027134 | | Trigger Latch Spring |
| 24 | 530027133 | | Throttle Trigger |
| 25 | 530027271 | | Grommet |
| 26 | 530027121 | | Bracket |
| 27 | 530069217 | | Gasket Set |
| 28 | 530035201 | | Carburetor (HDA-49) |
| 29 | 530023664 | | Air Filter Plate |
| 30 | 530015735 | | Carb. Mounting Stud |
| 31 | 530010892 | | Model 285 |
| 31 | 530010855 | | Model 305 & 335 |
| 32 | 530027135 | | Throttle Lockout |
| 33 | 530027207 | | Rear Handle Cover |
| 34 | 530027073 | | Throttle Wire |
| 35 | 530027075 | | Choke Knob |
| 36 | 530027393 | | Type I |
| 36 | 530036962 | | Type II |
| 37 | 530001543 | | Nut |
| 38 | 530015701 | | Dowel Pin |
| 39 | 530015724 | | Screw |
| 40 | 530069216 | | Line Kit (Bulk 530-008133) |
| 41 | 530014199 | | Fuel Filter Ass'y. |
| 42 | 530039129 | | Grommet |
| 43 | 530069225 | | Switch Kit |
| 44 | 530027138 | | Lead Wire Ass'y. |
| 45 | 530015802 | | Screw |
| 46 | 530027202 | | Screw Retainer |
| 47 | 530025539 | | Impulse Fitting |
| 48 | 530024475 | | Vent Fitting |
| 49 | 530026119 | | Check Valve |
| 50 | 530031111 | | Hex Key |
| 51 | 530027339 | | Vent Plug |

PP335 Gas Saw Page 4 of 11
 EXTERNAL POWER UNIT

| Ref # | Part Number | Qty | Description |
|-------|-------------|-----|-----------------------------------|
| 52 | 530025922 | | Air Box Plug |
| 53 | 530027341 | | Clamp |
| 54 | 530027888 | | Reflector |
| 55 | 952069253 | | Carb. Cover Winter Kit |
| 56 | 530069297 | | Bracket Kit-Service Ref. 1 |
| 57 | 530015710 | | Screw |
| 58 | 530015875 | | Screw |
| 59 | 530015562 | | Washer |
| 60 | 530015123 | | Washer-Typell Only |
| 61 | 530037009 | | AV Strap-Typell Only |
| 62 | 530037012 | | Strap Retainer Plate-Type II Only |
| 63 | 530069384 | | Isolator Ass'y. Kit-Type II Only |
| 64 | 530069297 | | Isolator Repair Kit-Type II Only |

PP335 Gas Saw Page 5 of 14
EXTERNAL POWER UNIT



| Ref # | Part Number | Qty | Description |
|-------|-------------|-----|---------------------------------------|
| 1 | 530027140 | | Worm Gear |
| 2 | 530019147 | | Seal |
| 3 | 530069217 | | Gasket Set |
| 4 | 530027128 | | Dust Plug |
| 5 | 530014204 | | Plunger |
| 6 | 530027126 | | Spring |
| 7 | 530069218 | | Oil Pump Kit (Inc.1,2,4-6,8,17,18,35) |
| 9 | 530015871 | | Screw |
| 10 | 530027272 | | Oil Pickup & Filter |
| 11 | 530027192 | | Oiler Intake Line |
| 12 | 530028650 | | Rim Sprocket-Model 305 & 335 |
| 13 | 530032049 | | Bearing |
| 14 | 530048084 | | Drum Sprocket-Model 285 |
| 14 | 530048083 | | Drum-Model 305&335 |
| 15 | 530027161 | | Clutch Plate |
| 16 | 530014161 | | Clutch Ass'y. |
| 17 | 530027129 | | Oiler Gear Spur |
| 18 | 530019079 | | "O" Ring |
| 19 | 530022312 | | Model 285 |
| 19 | 530022309 | | Model 305 & 335 |
| 20 | 530023064 | | Bar Adjusting Pin |
| 21 | 530024419 | | "E" Ring |
| 22 | 530015730 | | Screw |
| 23 | 530015719 | | Bar Stud |
| 24 | 530015108 | | Vent Pin |
| 25 | 952051301 | | 16" (P33S-66) |
| 25 | 952051323 | | 16" (P34S-66) |
| 25 | 952051313 | | 18" (P33S-72) |
| 25 | 952051310 | | 20" (P33S-78) |
| 26 | 952044372 | | 16" SNR (.325-.050P) |
| 26 | 952044373 | | 16" SNR (.325-.058P) |
| 26 | 952044375 | | 18" SNR (.325-.050P) |
| 26 | 952044376 | | 18" SNR (.325-.058P) |
| 26 | 952044377 | | 20" SNR |
| 27 | 530010977 | | Bar Clamp (Inc.37.) |
| 28 | 530015445 | | Nut |
| 29 | 530031146 | | Scrench |
| 30 | 530027847 | | Model 285 |
| 30 | 530027776 | | Model 305 & 335 |
| 31 | 530016058 | | Screw |
| 32 | 530021061 | | Oiler Discharge Line |
| 33 | 530002464 | | Oiler Discharge Sleeve |
| 34 | 530015422 | | Tubing Nut |
| 35 | 530015752 | | Oiler Adjustment Pin |
| 36 | 530027222 | | Chain Pad-Top |
| 37 | 530027223 | | Chain Pad |
| 38 | 530015733 | | Washer |
| 39 | 530052085 | | Chain Repair Kit |
| 40 | 530055072 | | Replaceable Sprocket Nose |
| 41 | 952069321 | | Chain Brake Kit |
| 42 | 530029236 | | Crankcase Plug |
| 42 | | | , Carton Contents Bag Not Shown. |
| | 530010974 | | Model 285-16" Not Shown. |
| | 530014804 | | Model 285-20" Not Shown. |
| | 530010995 | | Model 305-16" Not Shown. |
| | 530010996 | | Model 305-18" Not Shown. |

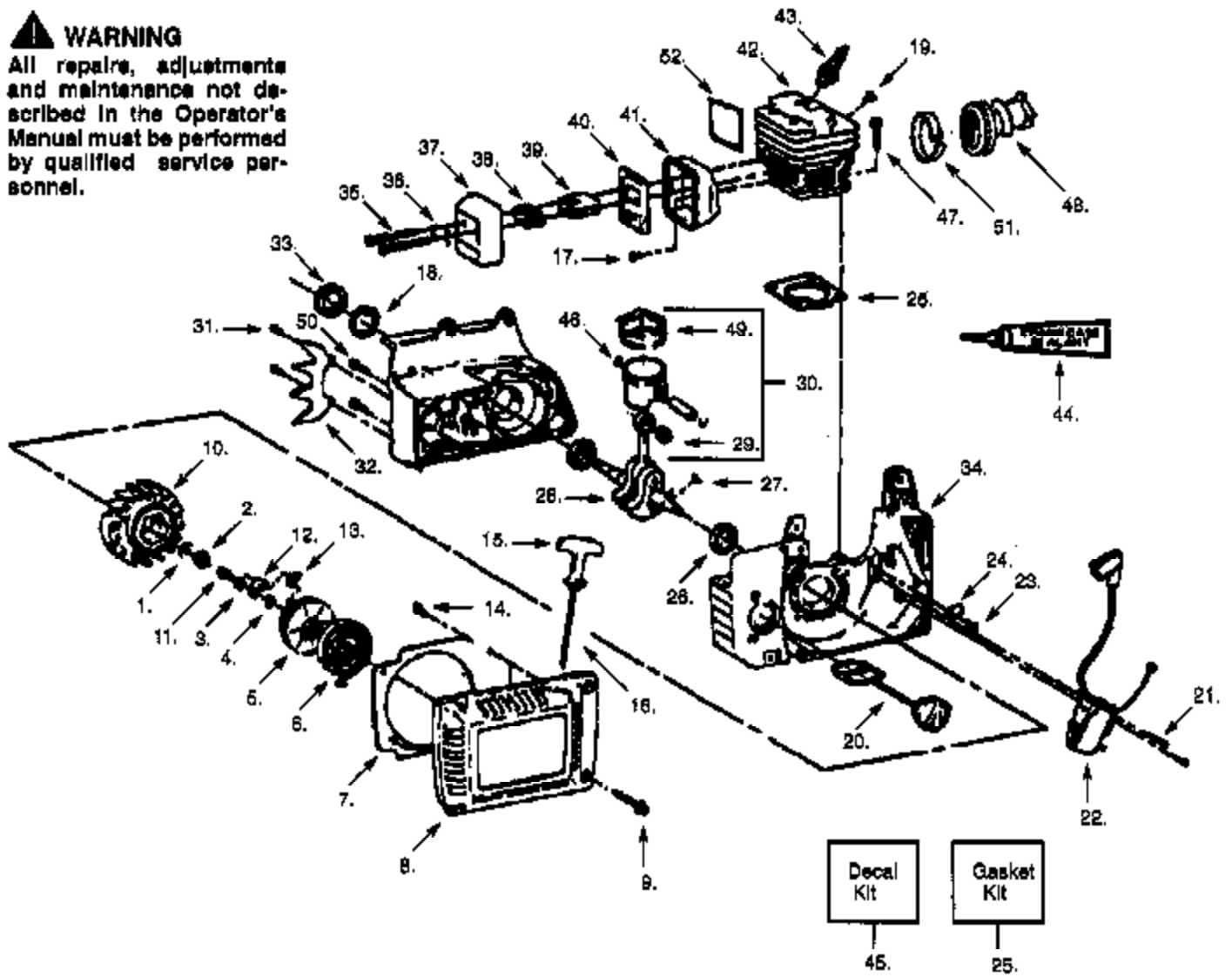
PP335 Gas Saw Page 7 of 11
HANDLE, CHAIN & BAR

| Ref # | Part Number | Qty | Description |
|-------|-------------|-----|--------------------------|
| | 530010997 | | Model 305-20" Not Shown. |
| | 530014107 | | Model 335-16" Not Shown. |
| | 530014108 | | Model 335-18" Not Shown. |
| | 530014109 | | Model 335-20" Not Shown. |

PP335 Gas SawPage 8 of 11
HANDLE, CHAIN & BAR

▲ WARNING

All repairs, adjustments and maintenance not described in the Operator's Manual must be performed by qualified service personnel.



| Ref # | Part Number | Qty | Description |
|-------|-------------|-----------------------------|---|
| 1 | 530039127 | | Flywheel |
| 2 | 530001733 | | Nut |
| 3 | 530015254 | | Wave Washer |
| 4 | 530027163 | | Retainer |
| 5 | 530027170 | | Starter Pulley |
| 6 | 530042067 | | Starter Spring |
| 7 | 530027096 | | Baffle Plate |
| 8 | 530010975 | | Fan Housing |
| 9 | 530015709 | | Screw |
| 10 | 530015441 | | Washer |
| 11 | 530015713 | | Screw |
| 12 | 530027765 | | Starter Cam |
| 13 | 530027162 | PP335 Gas Saw Page 10 of 11 | Starter Dog |
| 14 | 530015241 | INTERNAL POWER UNIT | Screw |
| 15 | 530027569 | | Starter Handle |
| 16 | 530069233 | | Rope Kit |
| 17 | 530015720 | | Bolt |
| 18 | 530001516 | | Snap Ring |
| 19 | 530015696 | | Clip |
| 20 | 530010846 | | Oil Cap Ass'y. (Inc. O Ring) |
| 21 | 530015708 | | Screw |
| 22 | 530039128 | | Ignition Module |
| 23 | 530015306 | | Screw |
| 24 | 530027264 | | Clamp |
| 25 | 530069487 | | Gasket Set |
| 26 | 530032093 | | Crankshaft Bearing |
| 27 | 530002595 | | Flywheel Key |
| 28 | 530027143 | | Crankshaft/Rod Ass'y. |
| 29 | 530032111 | | Piston Pin Bearing |
| 30 | 530010976 | | Model 285 |
| 30 | 530010862 | | Model 305 |
| 30 | 530010989 | | Model 335 |
| 31 | 530015710 | | Screw |
| 32 | 530027184 | | Spur |
| 33 | 530019146 | | Crankshaft Seal |
| 34 | 530014719 | | Crankcase Assy (Inc.20-22,32,33,36,37, #'s 20-22,32,33,36,37 of "HANDLE, CHAIN") |
| 35 | 530015718 | | Screw |
| 36 | 530015149 | | Washer |
| 37 | 530028645 | | Muffler Cover |
| 38 | 530027095 | | Spark Arrestor Screen |
| 39 | 530028647 | | Muffler Diffuser |
| 40 | 530028646 | | Muffler Baffle Plate |
| 41 | 530028644 | | Muffler Body |
| 42 | 530012223 | | Model 285 |
| 42 | 530012153 | | Model 305 |
| 42 | 530012197 | | Model 335 |
| 43 | 530030034 | | Spark Plug (CJ-4) |
| 44 | 530030054 | | Sealant |
| 45 | 530069227 | | Decal Kit |
| 46 | 530015697 | | Retainer |
| 47 | 530001624 | | Screw |
| 48 | 530027218 | | Carb. Adapter |
| 49 | 530027640 | | Model 285 |
| 49 | 530027092 | | Model 305 |

| Ref # | Part Number | Qty | Description |
|-------|-------------|-----|--|
| 49 | 530027608 | | Model 335 |
| 50 | 530015707 | | Screw |
| 51 | 530027285 | | Clamp Ass'y. |
| 52 | 530027838 | | Deflector (Model 335 Only) |
| | | | , Operator Manual Not Shown. |
| | 530068802 | | Model 285 & 305 Not Shown. |
| | 530067186 | | Model 335 Not Shown. |
| | | | , Carton Not Shown. |
| | 530061052 | | Model 285,305,335 16" & 335-18" Carton (Not a serviceable part) Not Shown. |
| | 530061628 | | Model 285-20" Carton (Not a serviceable part) Not Shown. |
| | 530061159 | | Model 305-18" & 20" Carton (Not a serviceable part) Not Shown. |
| | | | PP335 Gas Saver 1 of 1 |
| | | | INTERNAL POWER UNIT |
| | 530061641 | | Model 335-20" Carton (Not a serviceable part) Not Shown. |