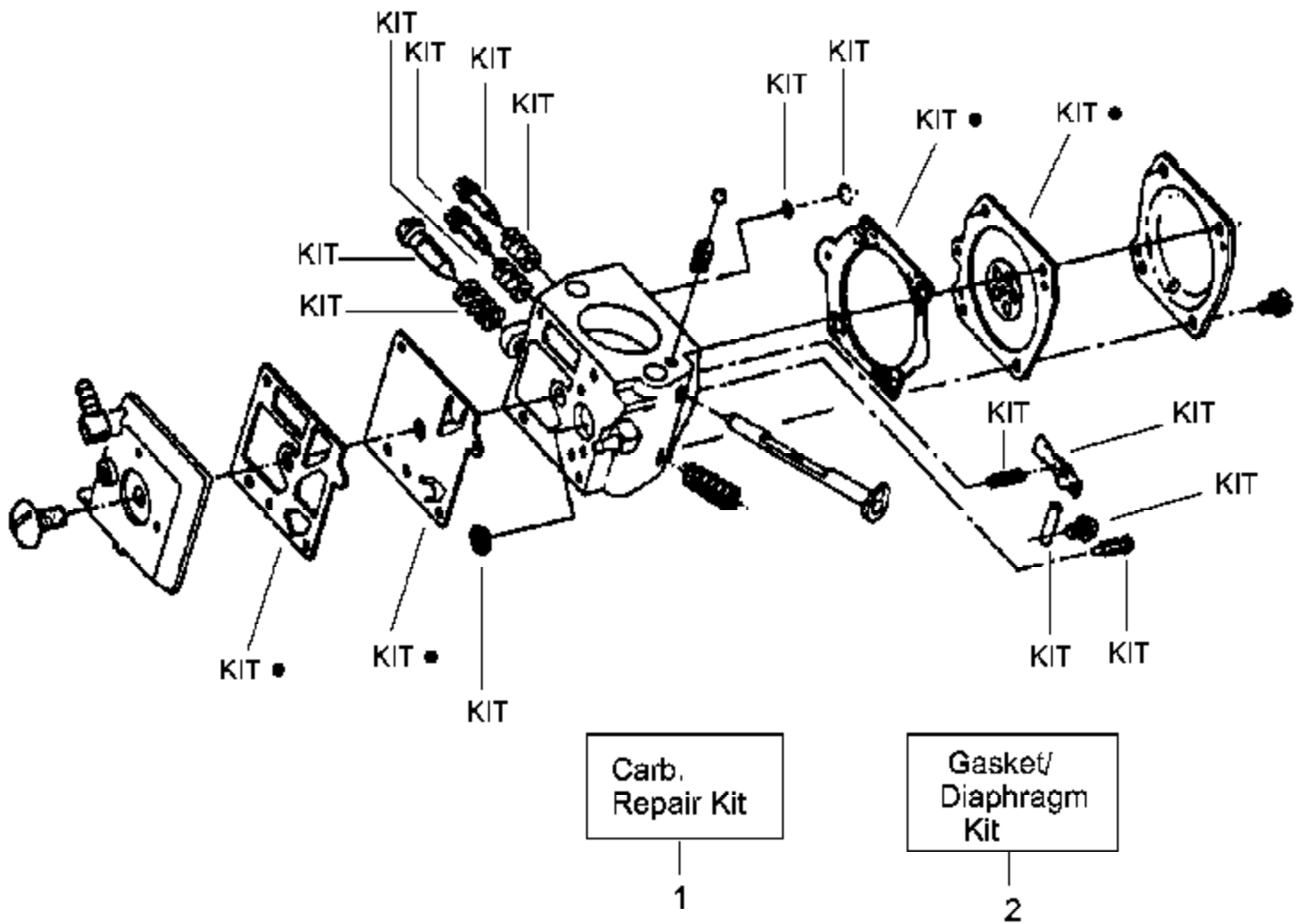
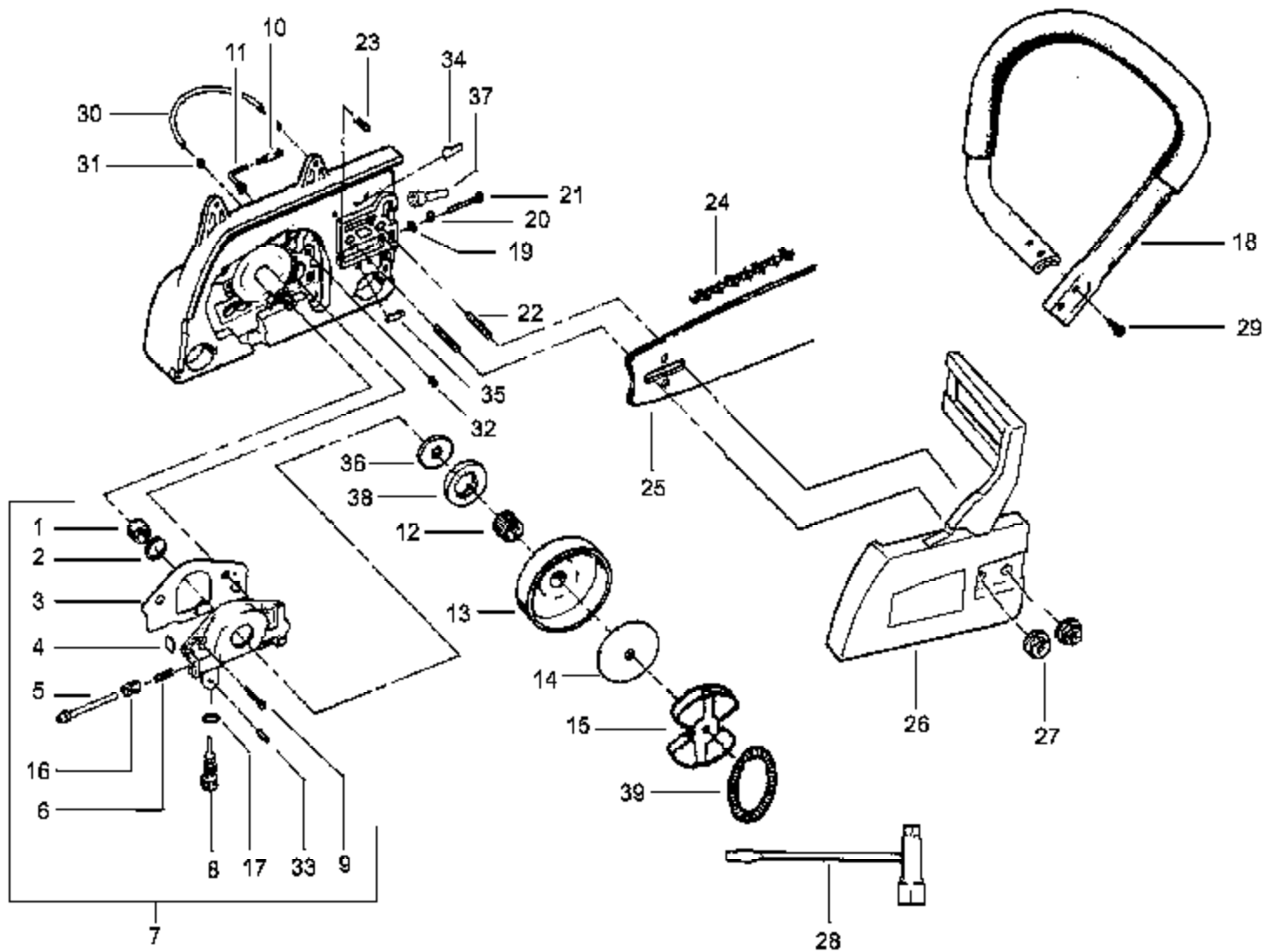


Carburetor Assembly - 530069895 HDA - #164

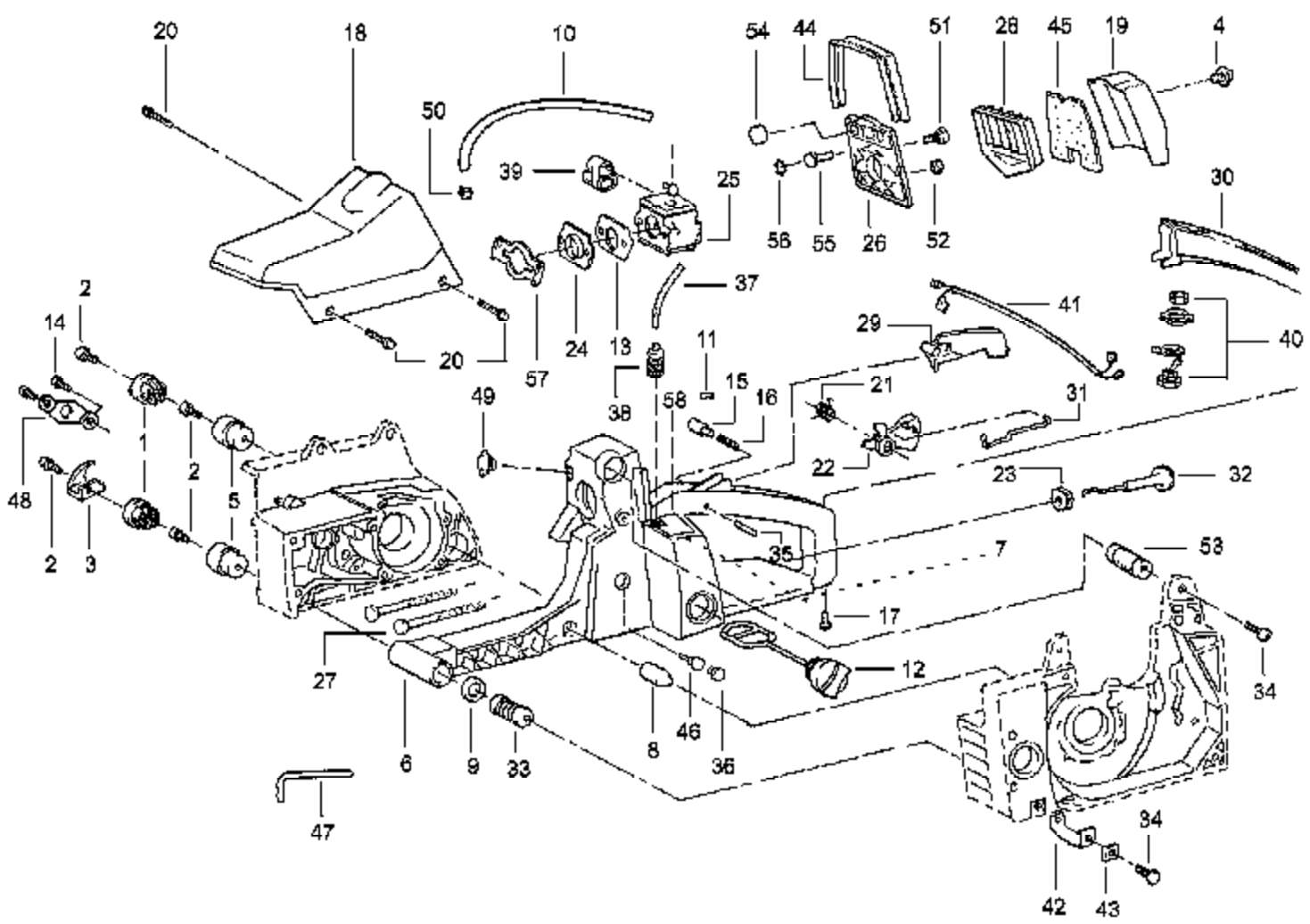


Ref #	Part Number	Qty	Description
1	530069849		Carburetor Repair Kit (KIT = Contents)
2	530069844		Gasket/Diaphragm Kit (DOT = Contents)
530069895	530069895		Carburetor Assembly (HDA164)

PP330 Gas SawPage 2 of 10
Carburetor Assembly (HDA16



Ref #	Part Number	Qty	Description
1	530027140		Wire Worm Gear
2	530019147		Seal-Oil Pump
3	530019148		Gasket - Oil Pump
4	530027128		Dust Plug
5	530014204		Shaft Ass'y.
6	530027126		Spring-Plunger
7	530069218		Oil Pump Ass'y.
8	530015873		Screw Oiler Adjusting
9	530015871		Screw
10	530027272		Oil & Filter Pickup
11	530027192		Oiler Intake Line
12	530032049		Bearing
13	530048083	PP330 Gas Saw Page 4 of 10	Drum & Adaptor Ass'y.
14	530027161	Clutch, Chain & Handle Asse	Clutch Plate
15	530014161		Clutch Ass'y.
16	530027129		Gear Spur
17	530019079		"O" Ring
18	530047163		Handlebar Ass'y.
19	530023064		Guide Bar Pin
20	530038593		Retainer-Bar Adjust
21	530016110		Screw
22	530016238		Bar Stud
23	530015108		Cotter Pin
24	952051266		Chain 20"
24	952051459		Chain 22"
25	952044561		Bar 20"
25	530044833		Bar 22"
26	952069321		Chain Brake Kit
27	530015251		Nut-Bar Mounting
28	530031135		Scrench Silver finish (1/2" x 3/4")
28	530031146		Scrench Gold finish (9/16" x 3/4")
29	530016058		Screw
30	530021061		Oiler Line
31	530002464		Ferrule
32	530015422		Nut-Slotted Tube
33	530015752		Pin-Adjustment Screw
34	530027222		Chain Pad - Top
35	530027223		Chain Pad
36	530015733		Thrust Washer
37	530029236		Crankcase Plug
38	530048098		Rim Floating (3/8)
39	530027160		Spring - Clutch



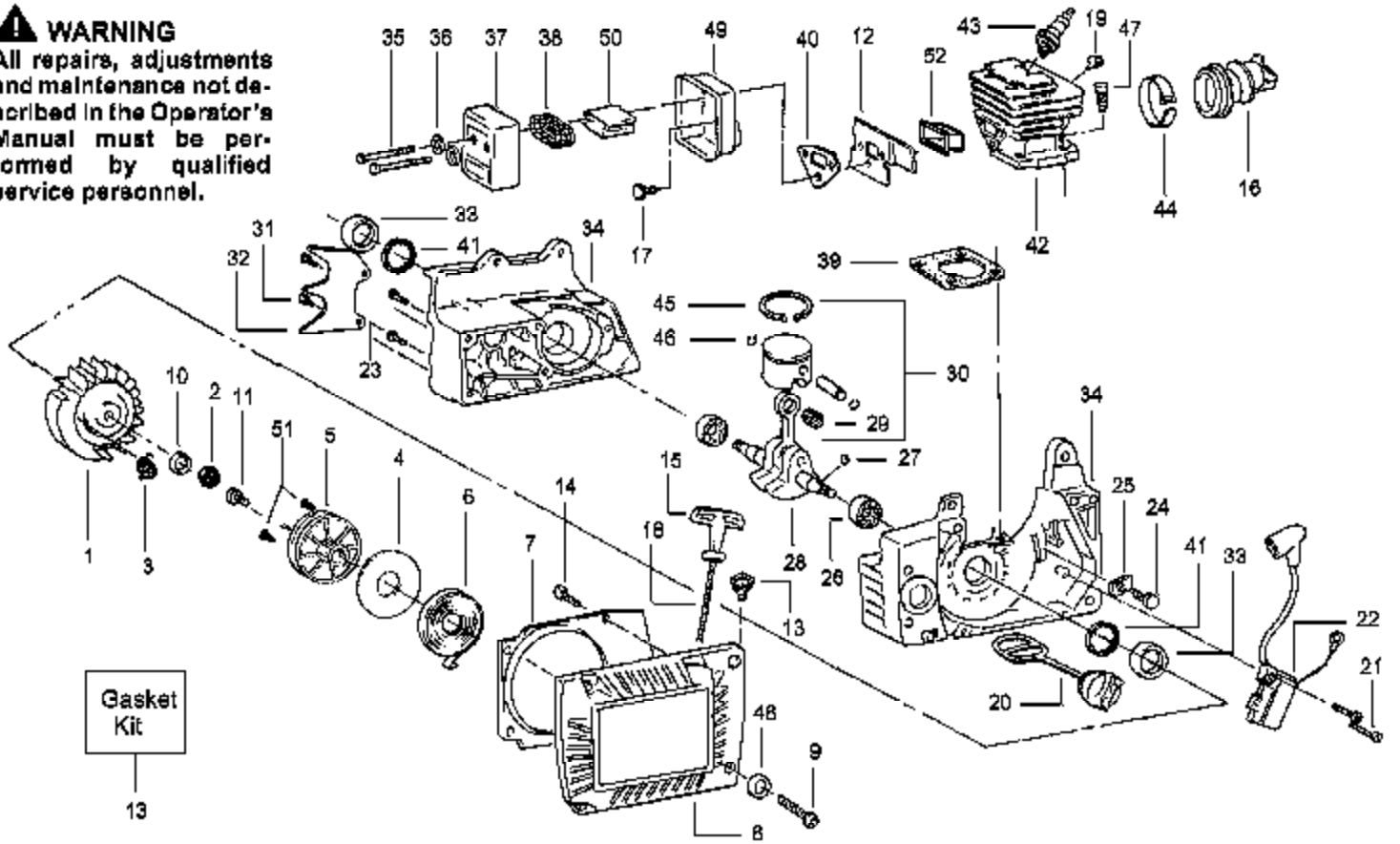
Ref #	Part Number	Qty	Description
1	530027732		Retainer-Chain Catcher
2	530016057		Screw
3	530027733		Chain Catcher
4	530049248		Knob-Carb. Cover
5	530042080		Lower Isolator
6	530069974		Rear Handle & Fuel Tank
7	530019192		Seal Carb. Cover-Left
8	530027187		Isolator Limiter
9	530015123		Washer
10	530069976		Impulse Line Kit
11	530015702		"C" Clip-Throttle Lock
12	530010845		Fuel Cap Ass'y.
13	530069487	PP330 Gas Saw Page 6 of 10	Gasket Carb.
14	530015875	Exterior Assembly	Screw
15	530029666		Button Throttle Lock
16	530024772		Spring-Throttle
17	530015716		Screw
18	530049271		Cylinder Shield
19	530053440		Carb. Cover Ass'y.
20	530015650		Screw
21	530027134		Spring-Trigger Latch
22	530027133		Throttle Trigger
23	530036053		Grommet-Choke Rod
24	530049465		Bracket-Intake
25	530069895		Carburetor Kit w/limiter caps
26	530049260		Air Filter Base
27	530049562		Carb. Mounting Stud
28	503553902		Air Filter
29	530027135		Throttle Lockout
30	530049257		Rear Handle Cover
31	530027073		Throttle Wire
32	530027075		Rod & Wire Choke
33	530069384		Isolator Kit
34	530015871		Screw
35	530015701		Dowel Pin-Trigger
36	530038264		Plug-Bronze Vent
37	530069910		Fuel Line Kit
38	530091878		Fuel Pick-up Ass'y.
39	530049265		Grommet-Carburetor
40	530069225		Switch Kit
41	530027138		Lead Wire Ass'y.
42	530037009		AV Strap
43	530037012		Strap Retainer Plate
44	530049739		Sound Strip
45	530049684		Sound Foam
46	530026119		Check Valve
47	530031159		Hex Wrench 5/32
48	530029347		Bracket-Retainer
49	530025922		Plug-Air Box
50	530053893		Clamp, Hose
51	530015598		Screw-Air Filter Base
52	530049561		Nut-Carb
53	530047334		Cylinder Mount Ass'y.
54	530027399		Bumper Carb Cover
55	530015839		Screw-Carb Knob
56	530016199		Retaining Ring

Ref #	Part Number	Qty	Description
57	530049273		Bracket-Carb Stud
58	530019191		Seal Carb Cover-Right

PP330 Gas SawPage 7 of 10
Exterior Assembly

▲ WARNING

All repairs, adjustments and maintenance not described in the Operator's Manual must be performed by qualified service personnel.



Ref #	Part Number	Qty	Description
1	530069890		Flywheel Ass'y. Kit
2	530049819		Nut-Flywheel
3	530023817		Spring-Starter Dog
4	530016242		Washer
5	530053728		Starter Pulley
6	530042087		Starter Spring
7	530052435		Baffle Plate
8	530049938		Fan Housing Ass'y.
9	530015812		Screw
10	530015441		Washer-Conical
11	530015920		Screw
12	530053595		Muffler Back Plate
13	530069487		Kit Gasket (Incl. 39,40 "Interior Assembly" : 13 "Exterior Assembly" : 2,3 "Clutch, Chain & Handle Assembly")
14	530015241		Screw
15	530049797		Starter Handle
16	530030202		Boot-Intake
17	530016291		Screw
18	530069919		Rope Kit
19	530015696		Clip
20	530010846		Oil Cap Ass'y. (Incl. "O" Ring)
21	530015708		Screw
22	530039128		Ignition Module
23	530015707		Screw
24	530015306		Screw
25	530027264		Clamp
26	530032093		Crankshaft Bearing
27	530002595		Flywheel Key
28	530027143		Crankshaft & Rod Ass'y.
29	530032111		Piston Pin Bearing
30	530071321		Piston Kit (Incl. 29, 45 & 46)
31	530015875		Screw
32	952027846		Spur
33	530019146		Crankshaft Seal
34	530069893		Crankcase Ass'y.
35	530016259		Screw
36	530015722		Washer
37	530053465		Muffler Cover
38	530030205		Spark Arrestor Screen
39	530069487		Gasket Kit
40	530069487		Muffler Gasket
41	530001516		Snap Ring
42	530403749		Cylinder Ass'y.
43	952030164		Spark Plug (RCJ-6Y)
44	530027285		Clamp Ass'y.
45	530030176		Piston Ring
46	530015697		Retainer
47	530001624		Screw
48	530015629		Washer
49	530053596		Muffler Body
50	530049362		Muffler Diffuser
51	530016080		Screw
52	530053710		Exh Port Insulator
	530088319		Operator Manual Not Shown
	530047839		Warning Decal Not Shown

PP330 Gas Saw Page 9 of 10
 Kit Gasket (Incl. 39,40 "Interior Assembly" : 13 "Exterior Assembly" : 2,3 "Clutch, Chain & Handle Assembly")

Ref #	Part Number	Qty	Description
	530047941		Kickback Warning Decal Not Shown

PP330 Gas Saw Page 10 of 10
Interior Assembly