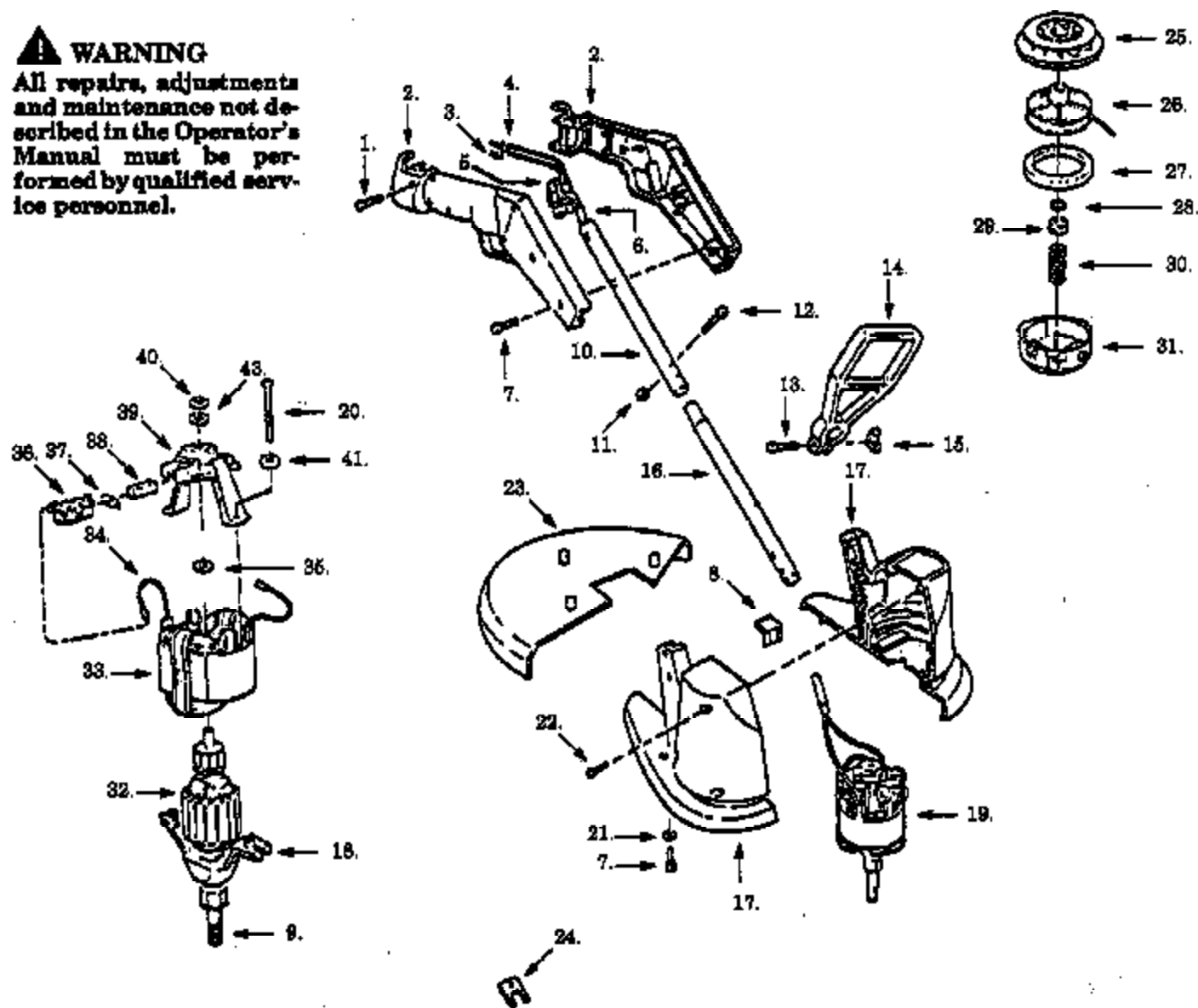


⚠ WARNING
 All repairs, adjustments
 and maintenance not de-
 scribed in the Operator's
 Manual must be per-
 formed by qualified serv-
 ice personnel.



Ref #	Part Number	Qty	Description
1	534826802		Screw
2	534826522		Handle Set
3	534825700		Wire Terminal Ass'y.
4	534827900		Wire Terminal Ass'y.
5	534193003		Trigger Switch
6	534762006		Harness Ass'y.
7	534826801		Screw
8	534833500		Line Cutter
9	534401700		Shaft Adaptor
10	534828100		Upper Tube
11	534828300		Stop Nut
12	534829600		Screw
13	534828400	PT100C-00	Electrical Terminal
14	534159205	TRIMMER ASSEMBLY	Assist Handle
15	534828500		Wing Nut
16	534828200		Lower Tube
17	534826602		Housing Set
18	534710671		Endbell - Drive
19	534450002		Motor Ass'y.
20	534500261		Screw
21	534828700		Washer
22	534826800		Screw
23	534271925		Guard
24	534166800		Wrench
25	534832900		RearPlate/Baffle Ass'y
26	952710514		Spool & Line
27	534167700		Foam Pad
28	534316200		O-Ring
29	534401805		Adapter Nut
30	534819200		Spring
31	534167935		Hub Ass'y.
32	534010701		Armature Endbell
33	534294703		Field Ass'y.
34	534810031		Lead Wire Ass'y.
35	534494616		Washer
36	534260007		Brush Holder Ass'y.
37	534570009		Brush Spring
38	534200018		Brush
39	534710064		Endbell Ass'y. (Brush)
40	534246701		Retaining Ring
41	534520020		Lockwasher
42	534500261		Screw