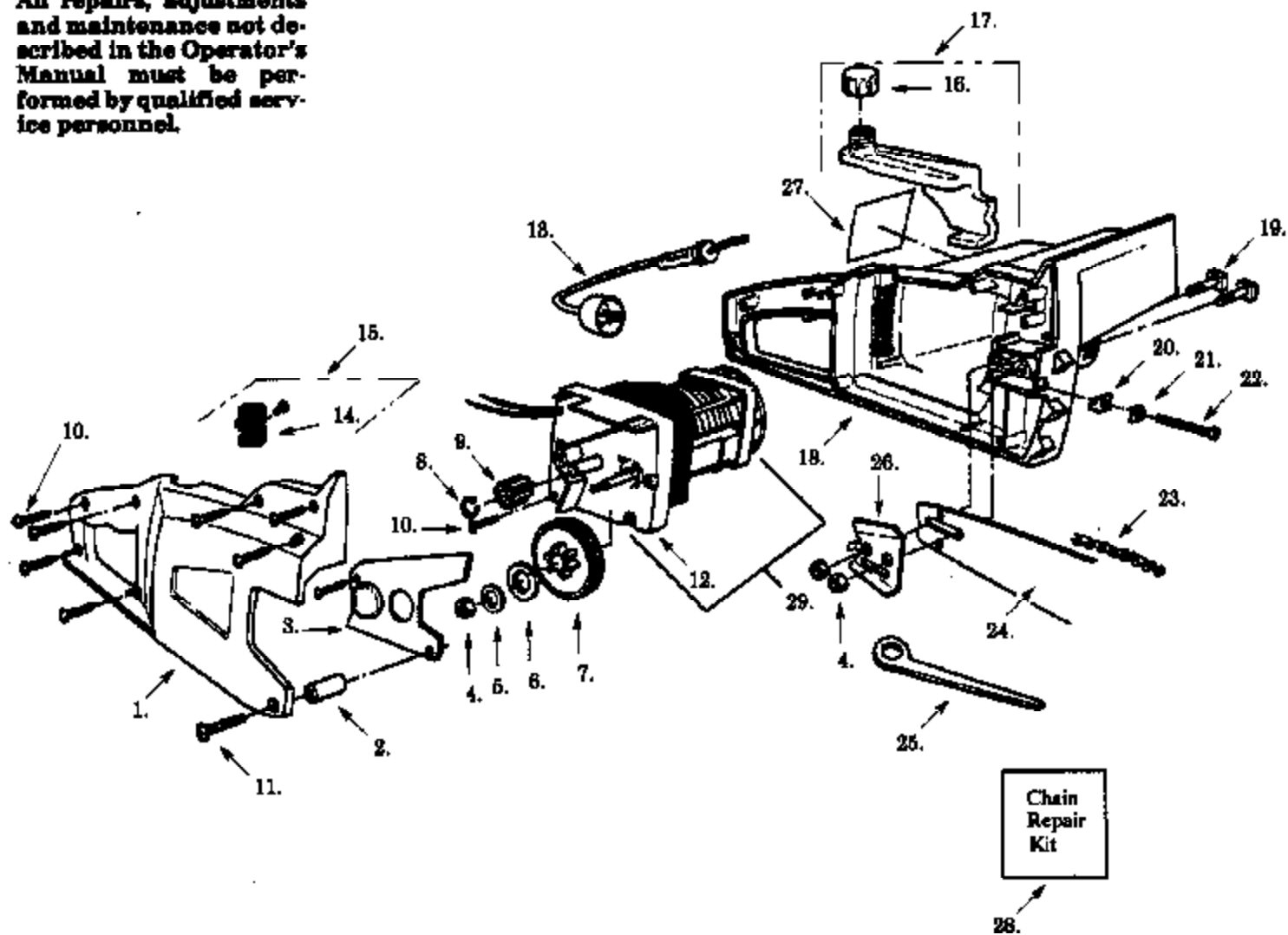


⚠ WARNING

All repairs, adjustments and maintenance not described in the Operator's Manual must be performed by qualified service personnel.



Ref #	Part Number	Qty	Description
1	530036960		Hsg - Right
2	530015832		Spacer
3	530029278		Gear Cover
4	530015303		Nut
5	530015842		Washer
6	530036012		Gear Seal
7	530029341		Gear Assy
8	530015501		Retaining Ring
9	530025463		Pinion Gear
10	530015495		Screw
11	530015835		Screw
12	530029342		Endbell Ass'y.
13	530089765		PP250E Electric Saw 2 of 2
14	530025873		CHAIN SAW ASSEMBLY
15	530025518		Safety Lock Button
16	530029282		Switch (Incl. 14.)
17	530014254		Oil Cap
18	530014800		Oil Tank Assembly
19	530015831		Motor Hsg - Left (Incl. 19)
20	530023492		Bar Mounting Bolt
21	530025466		Pin
22	530015514		Bar Adjusting Plate
23	530015514		Screw
24	952051211		Chain
25	952044369		Bar
26	530031063		Wrench
27	530029285		Plate
28	530036961		Warning Decal
29	530052073		Chain Repair Kit
	530014255		Motor Ass'y. (Incl. 12)
	530068567		Operator Manual Not Shown.
	530029543		Scabbard Not Shown.
	530061572		Carton (Not a serviceable part) Not Shown.