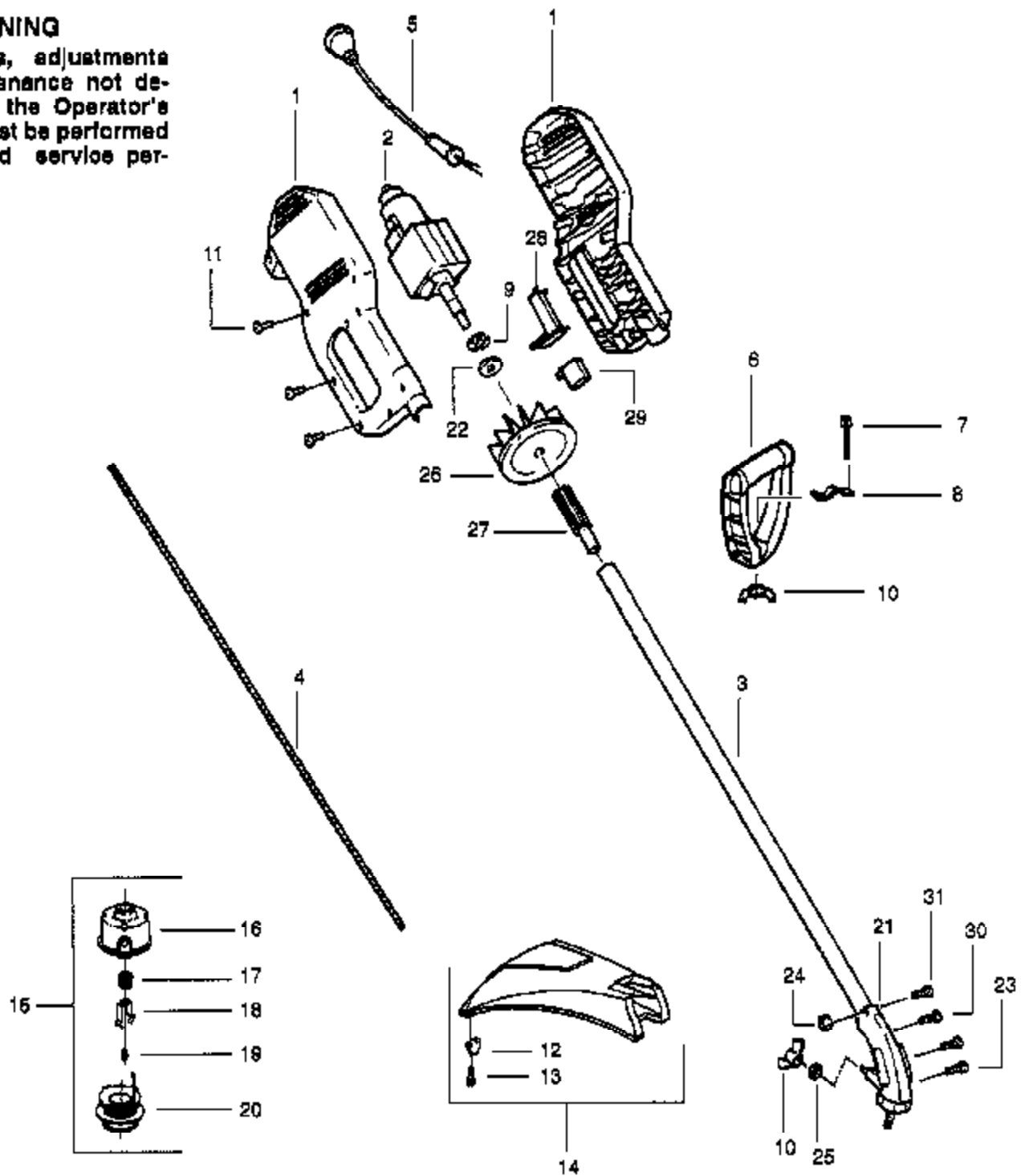


⚠ WARNING

All repairs, adjustments and maintenance not described in the Operator's Manual must be performed by qualified service personnel.



Ref #	Part Number	Qty	Description
1	530402797		Housing Set
2	530402688		Motor
3	530403318		Tube Ass'y.
4	530095391		Flex Shaft
5	530402803		Wiring Harness Ass'y. (Incl. Switch)
6	530038708		Assist Handle
7	530015820		Bolt
8	530094742		Clamp - Assist Handle
9	530403111		Clip Retainer
10	530401992		Wingnut
11	530016120		Screw
12	530095387		Line Limiter
13	530015880	ETM17 Electric Trimmer 2 of 2	Screw - Line Limiter
14	530069752	ETM17 ELECTRIC TRIMMER	Shield Kit Ass'y. (Incl. 12 & 13)
15	952701666		Cutting Head Ass'y. (Incl. 16 - 20)
16	530069690		Hub Ass'y.
17	530401464		Spring
18	530401466		Retainer - Clip
19	530401467		Screw w/ Washer - Head
20	952711527		Spool w/Line
21	530052308		Gear Box Ass'y.
22	530403112		Washer - Drive Adaptor
23	530016202		Screw
24	530015768		Locknut
25	530016129		Washer
26	530402798		Fan
27	530402801		Drive Adaptor Ass'y.
28	530402799		Trigger Switch
29	530402802		Switch
30	530016224		Screw
31	530015810		Screw
	530084676		Operator Manual Not Shown
	530403323		Shaft Warning Decal Not Shown