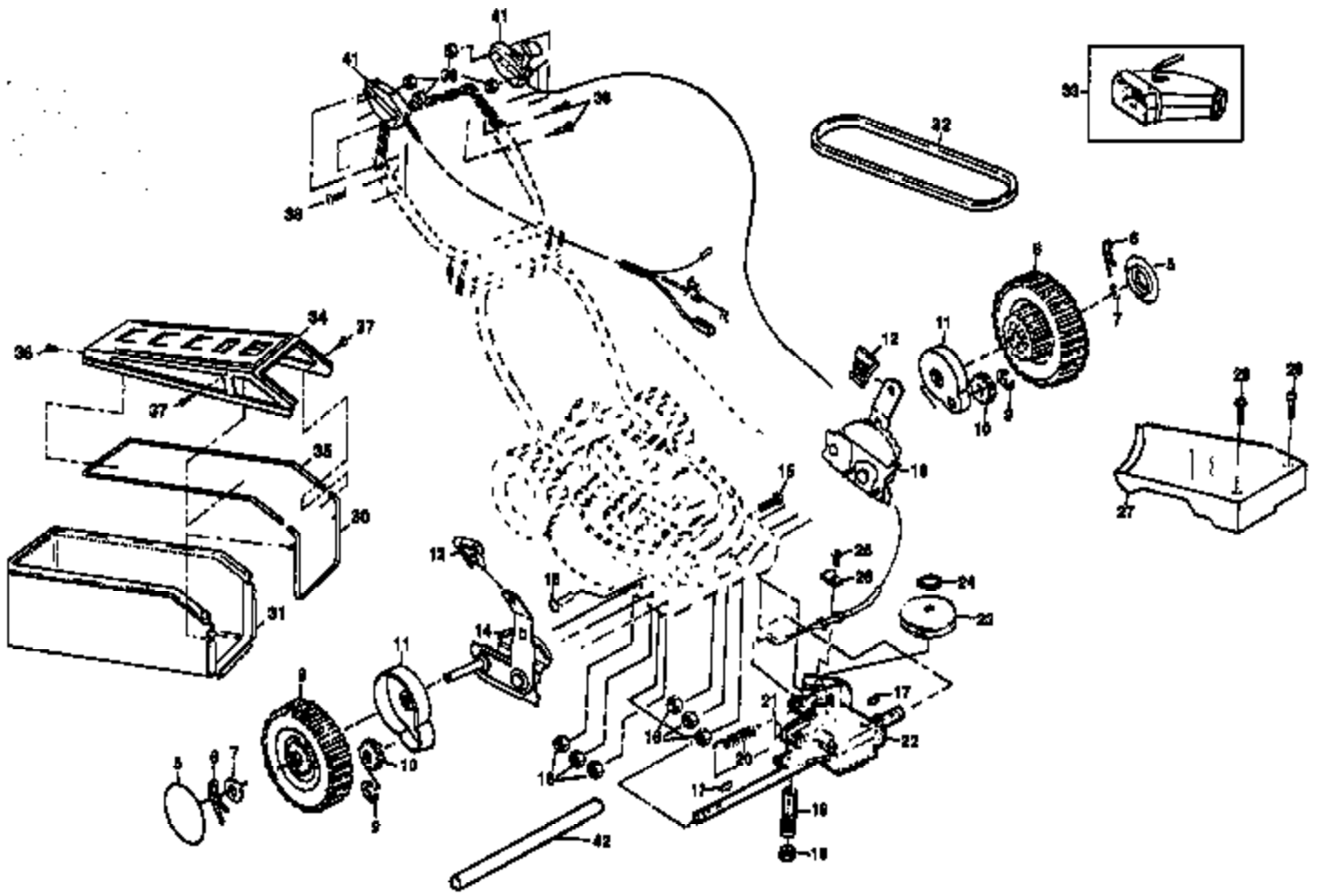


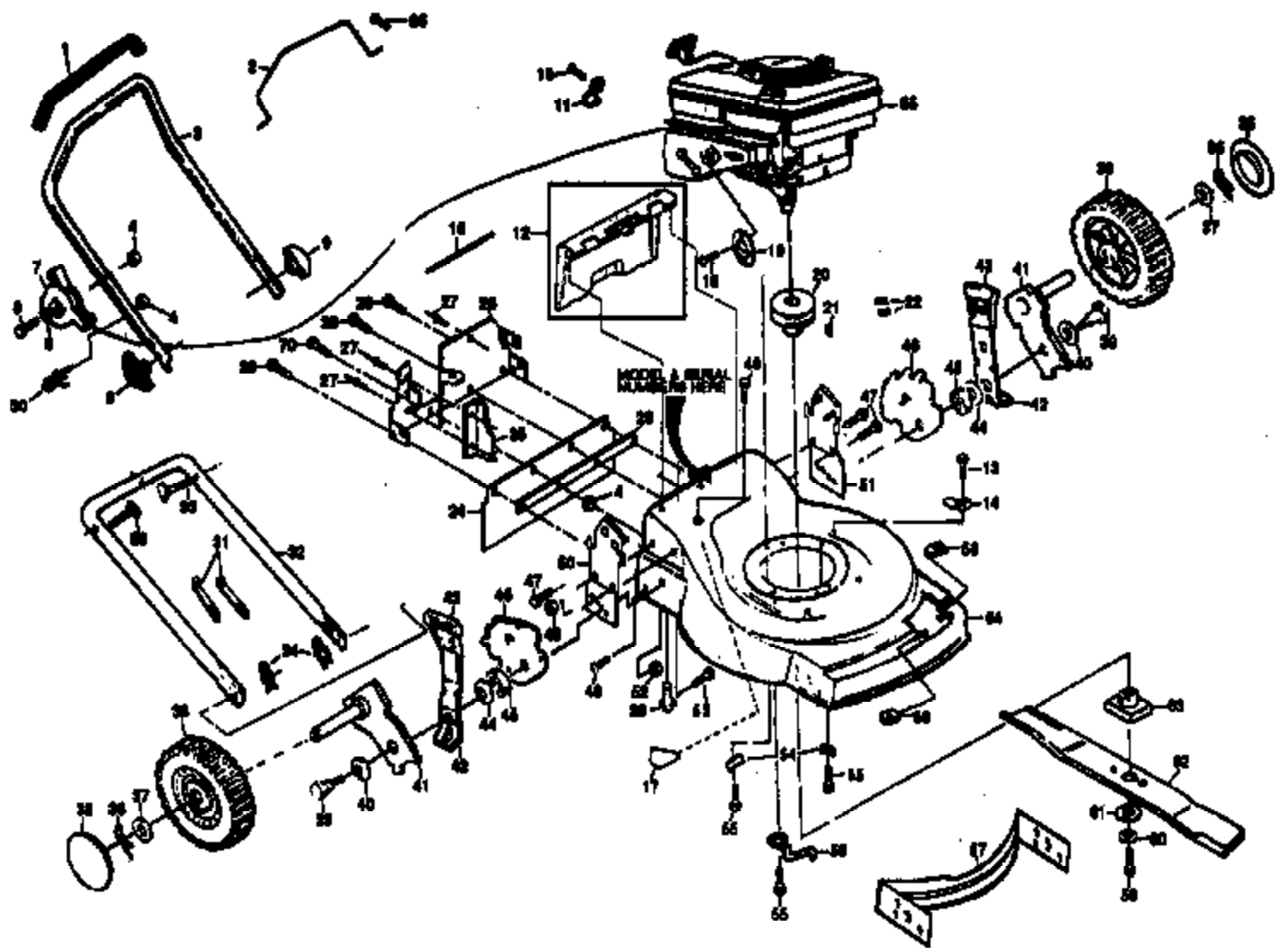
| Ref # | Part Number | Qty | Description |
|-------|-------------|-----|-------------------------------------|
| 1 | 532125286 | | Battery Bracket |
| 2 | 532125287 | | Battery Cover |
| 3 | 532086336 | | Battery |
| 4 | 532036953 | | Hex Washer Head Screw #10-24 x .625 |
| 5 | 532086353 | | Connector Mounting Clip |
| 6 | 532111549 | | Battery Charger |
| 7 | 532086649 | | Battery Pad |

PP850PE Mower Page 2 of 7
BATTERY MOUNTING



| Ref # | Part Number | Qty | Description |
|-------|-------------|-----|---------------------------------------|
| 1 | 532851098 | | Engine Control |
| 2 | 532063601 | | Locknut 1/4-20 |
| 5 | 532800543 | | Hubcap |
| 6 | 532085179 | | Retainer Clip |
| 7 | 532052160 | | Washer |
| 8 | 532850986 | | Wheel & Tire Assembly 8.00 x 1-3/4 |
| 9 | 532053753 | | E-ring |
| 10 | 532074507 | | Pinion |
| 11 | 532076401 | | Dust Cover |
| 12 | 532077865 | | Selector Knob |
| 13 | 532851032 | | Wheel Adjuster Assembly (Left) |
| 14 | 532851031 | | Wheel Adjuster Assembly (Right) |
| 15 | 532061528 | | Pan Head Machine Screw 1/4-20 x 3/4 |
| 16 | 532063601 | | Locknut |
| 17 | 532065692 | | Woodruff Key #3 |
| 18 | 532083632 | | Spring |
| 19 | 532068038 | | Locknut 1/4-20 |
| 20 | 532075192 | | Spring |
| 21 | 532057076 | | Woodruff Key #213 |
| 22 | 532751001 | | Gear Case Assembly |
| 23 | 532083681 | | Drive Pulley |
| 24 | 532074976 | | Retaining Ring |
| 25 | 532750108 | | Pan Head Self-tapping Screw #10-24 |
| 26 | 532083700 | | Cable Clamp |
| 27 | 532083590 | | Drive Cover |
| 28 | 532075725 | | Pan Head Machine Screw #10-24 x 2-3/4 |
| 29 | 532069411 | | Pan Head Machine Screw #10-24 x 1-3/4 |
| 30 | 532851735 | | Catcher Frame |
| 31 | 532801779 | | Grass Catcher |
| 32 | 532083691 | | V-Belt |
| 34 | 532851739 | | Catcher Top |
| 35 | 532851658 | | Tube Catcher |
| 36 | 532036953 | | Screw Self-Tapping #10-24 x .625 |
| 37 | 532750634 | | Screw Tapping #10-24 x .38 |
| 38 | 532085692 | | Machine Screw 1/4-20 x 2-1/2 |
| 39 | 532053490 | | Locknut 1/4-20 |
| 41 | 532128378 | | Drive Control |
| 42 | 532086012 | | Drive Shaft, Cover |
| | 532127942 | | Decal (Drive Cover) Not Shown. |

PP850PE Mower Page 4 of 7
DRIVE ASSEMBLY



| Ref # | Part Number | Qty | Description |
|-------|-------------|---------------------------|----------------------------------------------------------------------------------------------------|
| 1 | 532850724 | | Handle Grip |
| 2 | 532801775 | | Control Bar |
| 3 | 532125266 | | Upper Handle |
| 4 | 532063601 | | Locknut |
| 6 | 532085723 | | Washer |
| 7 | 532851464 | | Throttle Control |
| 8 | 532851185 | | Machine Screw 1/4-20 x 2-3/4 |
| 9 | 532063688 | | Handle Knob |
| 10 | 532083816 | | Screw #10 x 5/8 |
| 11 | 532213146 | | Cable Clamp (Engine) These parts must be purchased through an authorized Briggs & Stratton dealer. |
| 12 | 532129898 | | Rear Door Kit |
| 13 | 532750097 | PP850PE Mower Page 6 of 7 | Hex Washer Head Screw #10-24 x 1/2 |
| 14 | 532087930 | MOWER HOUSING, ENGINE | Housing, Cable Guide |
| 16 | 532851738 | | Hinge Rod |
| 17 | 532107339 | | Danger Decal |
| 18 | 532093705 | | Screw #8-32 x 3/8 These parts must be purchased through an authorized Briggs & Stratton dealer. |
| 19 | 532223290 | | Muffler Deflector These parts must be purchased through an authorized Briggs & Stratton dealer. |
| 20 | 532084596 | | Engine Pulley |
| 21 | 532087677 | | Hi Pro Key #505 |
| 22 | 532059708 | | Set Screw 1/4-20 x 5/16 |
| 23 | 532125224 | | Backing Strip |
| 24 | 532130444 | | Rear Skirt |
| 25 | 532125222 | | Side Baffle |
| 26 | 532125267 | | Back Plate |
| 27 | 532128415 | | Pop Rivet |
| 28 | 532054583 | | Hex Head Tapping Screw 1/4-20 x 1/2 |
| 30 | 532800357 | | Rope Guide |
| 31 | 532066426 | | Tie Wire |
| 32 | 532125268 | | Lower Handle |
| 33 | 532058714 | | Handle Bolt |
| 34 | 532051793 | | Hairpin Cotter |
| 35 | 532800544 | | Hubcap |
| 36 | 532085179 | | Retainer Clip |
| 37 | 532052160 | | Washer |
| 38 | 532851071 | | Wheel & Tire Assembly 9.00 x 2.00 |
| 39 | 532084921 | | Shoulder Bolt |
| 40 | 532062335 | | Belleville Washer |
| 41 | 532125172 | | Axle Arm |
| 42 | 532125168 | | Selector Spring |
| 43 | 532077865 | | Selector Knob |
| 44 | 532088348 | | Washer |
| 45 | 532084920 | | Spacer |
| 46 | 532850904 | | Wheel Adjusting Bracket |
| 47 | 532055187 | | Self-tapping Screw 5/16-18 x 3/4 |
| 48 | 532063124 | | Locknut 5/16-18 |
| 49 | 532054583 | | Hex Tapping Screw 1/4-20 x 1/2 |
| 50 | 532125269 | | Handle Bracket (Right) |
| 51 | 532125270 | | Handle Bracket (Left) |
| 52 | 532751592 | | Locknut 3/8-16 |
| 53 | 532066238 | | Carriage Bolt 5/16-18 x 5/8 |
| 54 | 532125078 | | Engine Washer |

| Ref # | Part Number | Qty | Description |
|-------|-------------|-----|-------------------------------------------------------------|
| 55 | 532850998 | | Hex Head Thread Rolling Screw 3/8-16 x 1 |
| 56 | 532851000 | | Belt Snubber |
| 57 | 532125238 | | Front Baffle |
| 58 | 532075449 | | Speed Nut (U Type) |
| 59 | 532851084 | | Hex Head Machine Screw 3/8-24 x 1-3/8 Gr. 8 |
| 60 | 532850263 | | Helical Lock Washer |
| 61 | 532851074 | | Hardened Washer |
| 62 | 532850973 | | Blade 22" |
| 63 | 532851514 | | Blade Adapter |
| 64 | 532130831 | | Lawn Mower Housing Kit (Inc. 17) |
| 66 | 532026953 | | Screw #10-24 x .625 |
| 70 | 532086779 | | Screw, Hex, Head Machine 1/4-20 |
| | 532129925 | | Rear Drive Seal Not Shown. |
| | 532801778 | | MOWER HOUSING-ENGINE Operator's Manual (English) Not Shown. |
| | 532851101 | | Decal Elec. Start (Engine) Not Shown. |

PP850PE Mower Page 7 of 7
MOWER HOUSING-ENGINE