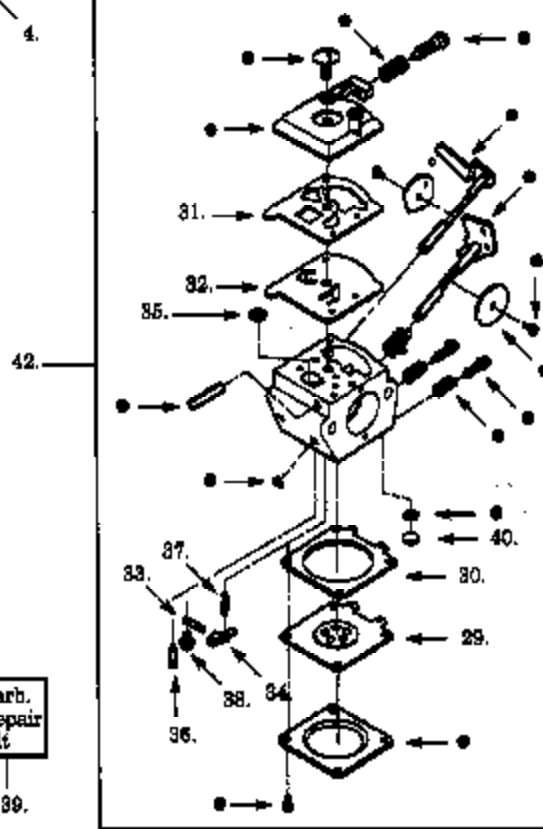
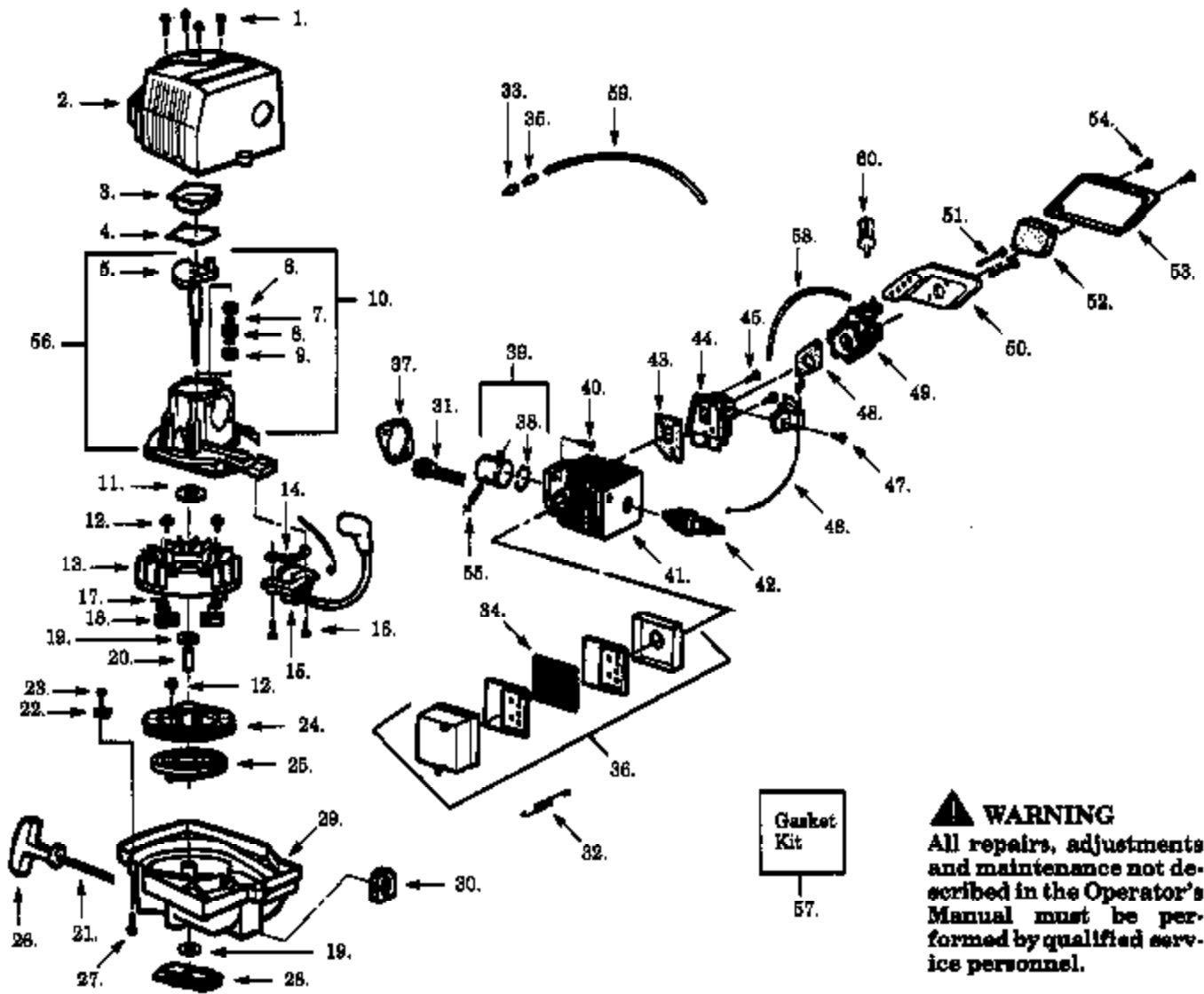


**Carburetor Assembly Part Number
#590-036806 - WT-221**



Ref #	Part Number	Qty	Description
1	530029954		Ignition Switch
2	530036443		Lead Wire Ass'y.
3	530015775		Screw
4	530029958		Trigger Lever
5	530015940		Screw
6	530015770		Screw
7	530029960		Handle Cover
8	530029956		Throttle Trigger
9	530036122		Throttle Lockout
10	530036123		Trigger Spring
11	530015934		Screw
12	530029963		Rear Handle & Tank Ass'y.
13	530094992		Front Handle
14	530029946		Isolator Spring
15	530048113		Clutch Drum
16	530015886		Screw
17	530029916		Gear Box Plate
18	530032121		Bushing Blade
19	530036371		Blade Ass'y. (19")
20	530029948		Blade Seal
21	530036228		Pinion Ass'y.
22	530016013		Drive Gear Bearings
23	530069355		Drive Gear Ass'y.
24	530036046		Isolator Plate
25	530014678		Fuel Cap Ass'y.
26	530015955		Screw
27	530015805		Screw
28	530014399		Gear Box Ass'y. (Incl. 21, 22 & 27)
29	530035014		Metering Diaphragm
30	530035320		Metering Diaphragm Gasket
31	530035164		Pump Gasket
32	530035166		Pump Diaphragm
33	530035250		Metering Pin
34	530035031		Metering Lever
35	530035178		Fuel Inlet Screen
36	530035223		Inlet Needle Valve
37	530035139		Metering Lever Spring
38	530035236		Metering Lever Pin Screw
39	530035312		Carburetor Repair Kit (Incl. 33-38, & 40)
40	530035319		Welch Plug
41	530035313		Gasket/Diaphragm Kit (Incl. 29-32)
42	530035306		Carburetor Ass'y. Parts indicated by an . in illustration are for clarity only, order complete assembly.

PHT19 Gas Hedge Cutter of 5
 HANDLE, BLADE & CARBU



Ref #	Part Number	Qty	Description
1	530015935		Screw
2	530014811		Shroud
3	530029929		Crankcase Cover
4	530019181		Gasket
5	530014307		Crankshaft Ass'y.
6	530032125		Inner Bearing
7	530015945		Retaining Ring
8	530019179		Crankcase Seal
9	530032124		Outer Bearing
11	530015941		Retaining Ring
12	530015882		Screw
13	530039149		Flywheel Ass'y.
14	530036145		Spacer
15	530039163		Ignition Module
16	530015954		Screw
17	530029940		Spring
18	530029939		Starter Dog
19	530015828		Washer
20	530015930		Flywheel Spacer
21	530069232		Rope Kit
22	530015963		Retainer
23	530015496		Screw
24	530069353		Starter Pulley Kit (Incl. 12)
25	530029395		Starter Spring
26	530027569		Starter Handle
27	530015810		Screw
28	530014396		Clutch Ass'y. Kit
29	534014615		Fan Housing
30	530019182		Grommet
31	530014397		Connecting Rod Assy.
32	530029930		Muffler Spring
33	530026119		Check Valve
34	530036180		Muffler Screen
35	530024475		Vent Fitting
36	530069352		Muffler Kit
37	530019187		Cylinder Gasket
38	530029924		Piston Ring
39	530069350		Piston Kit (Incl. 38 & 55)
40	530015953		Screw
42	530030073		Spark Plug
43	530019185		Gasket
44	534036535		Carb. Adaptor
45	530016014		Screw
46	530014384		Throttle Cable Ass'y.
47	530015775		Screw
48	530019183		Gasket
49	530035306		Carburetor
50	530036192		Air Box
51	530015849		Screw
52	530029934		Air Filter Foam
53	530036193		Air Filter Cover
54	530015635		Screw
55	530015162		Piston Pin Retainer
58	530069247		Fuel Line
59	530069216		Vent Line
60	530014199		Fuel Pick-up Ass'y.

PHT19 Gas Hedge Pumper of 5
POWER UNIT

Ref #	Part Number	Qty	Description
0	534068521		Operator Manual Not Shown.
0	534061547		Carton (Not a serviceable part) Not Shown.
0	534036788		Starting Inst. Decal (Not a serviceable part) Not Shown.

PHT19 Gas Hedge Page 5 of 5
POWER UNIT