

ILLUSTRATION SHOWS TYPICAL PARTS ONLY. ORDER BY PART NUMBER. PARTS NOT LISTED ARE SUPPLIED BY OEM.

47



47A



47B



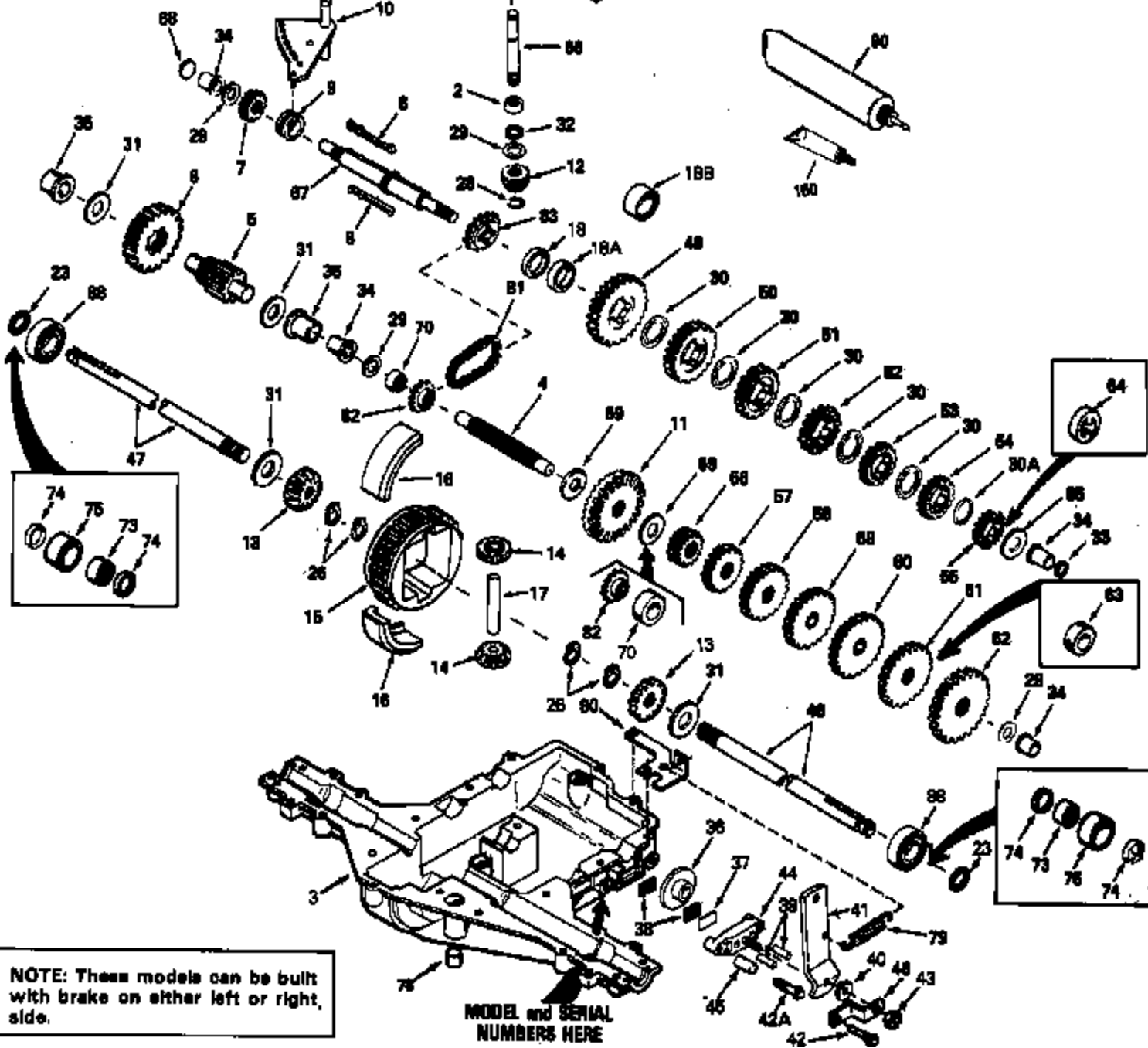
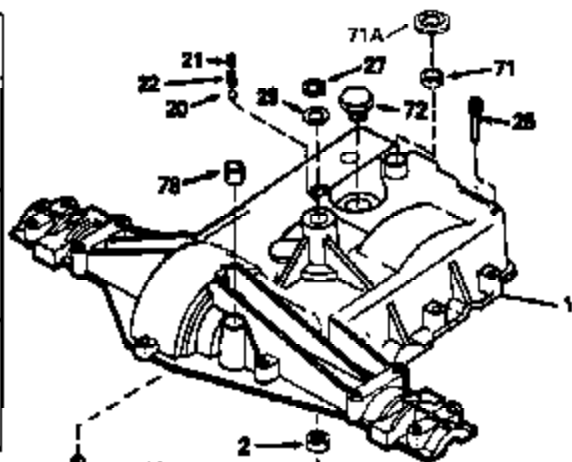
48



48A



48B



NOTE: These models can be built with brake on either left or right side.

MODEL and SERIAL NUMBERS HERE

| Ref # | Part Number | Qty | Description |
|-------|-------------|--------------|--|
| 1 | 772094 | | Transaxle Cover |
| 2 | 780086A | | Needle Bearing |
| 3 | 770082 | | Transaxle Case |
| 4 | 776260A | | Countershaft |
| 5 | 776219A | | Output Shaft & Pinion |
| 6 | 778139 | | Output Gear |
| 7 | 778136 | | Spur Gear (15 teeth-steel) |
| 8 | 792123A | | Key |
| 9 | 784216 | | Shifter Collar |
| 10 | 784345 | | Shift Rod & Fork |
| 11 | 778137A | | Bevel Gear (42 teeth) |
| 12 | 778113A | | Input Bevel Pinion |
| 13 | 778221 | 920-920-022A | Bevel Gear |
| 14 | 778068 | Peerless | Bevel Pinion Gear |
| 15 | 778165 | | Ring Gear |
| 16 | 786101 | | Bearing Block |
| 17 | 786040 | | Drive Pin |
| 18B | 786102 | | Neutral Spacer (.700/.690 thick) NOTE: Instead of one (1) No.786102 spacer, some early production models may have been built with two (2) No.786121 spacers. |
| 20 | 792077A | | Steel Ball, 5/16" dia. |
| 21 | 792078 | | Set Screw, 3/8-16 x 3/8" |
| 22 | 792079 | | Spring |
| 23 | 788061 | | Seal Ring |
| 25 | 792073A | | Screw, 1/4-20 x 1-1/4" |
| 26 | 792125 | | Retainer Ring |
| 27 | 792035 | | Retainer Ring |
| 28 | 788040 | | Retainer Ring |
| 29 | 780072 | | Thrust Washer |
| 30 | 780108 | | Thrust Washer |
| 31 | 780001 | | Washer |
| 32 | 792001 | | "O" Ring |
| 33 | 788051A | | Square Cut Seal |
| 34 | 780105A | | Flanged Bushing |
| 35 | 780118A | | Flanged Bushing |
| 36 | 790003 | | Brake Disk |
| 37 | 790007 | | Brake Pad Plate |
| 38 | 799021 | | Brake Pad (Pkg. of 2) |
| 39 | 786026 | | Dowel Pin |
| 40 | 792076A | | Flat Washer |
| 41 | 790045 | | Brake Lever |
| 42A | 792073A | | Screw, 1/4-20 x 1-1/4" |
| 42 | 792073A | | Screw, 1/4-20 x 1-1/4" |
| 43 | 792075 | | Lock Nut, 5/16-24 |
| 44 | 790025 | | Brake Pad Holder |
| 46 | 786086 | | Brake Lever Bracket |
| 47 | 774697 | | Axle (11-13/16" long) |
| 48 | 774738 | | Axle (16-7/16" long) |
| 49 | 778185 | | Spur Gear (30 teeth) |
| 50 | 778250 | | Spur Gear (27 teeth) |
| 51 | 778123A | | Spur Gear (25 teeth) |
| 52 | 778122A | | Spur Gear (22 teeth) |
| 53 | 778121A | | Spur Gear (20 teeth) |
| 56 | 778184 | | Spur Gear (20 teeth) |
| 57 | 778249 | | Spur Gear (23 teeth) |

| Ref # | Part Number | Qty | Description |
|-------|-------------|--------------|--|
| 58 | 778127A | | Spur Gear (25 teeth) |
| 59 | 778128A | | Spur Gear (28 teeth) |
| 60 | 778129A | | Spur Gear (30 teeth) |
| 63 | 786071 | | Countershaft Spacer |
| 64 | 786072 | | Brake Shaft Spacer |
| 65 | 780109 | | Thrust Washer |
| 66 | 776158 | | Input Shaft (4.015" long) |
| 67 | 776273 | | Brake Shaft (4-keyed) |
| 68 | 786116 | | Disk |
| 70 | 786118 | | Spacer (1" OD x .765 ID x .717 thick) |
| 71 | 788069 | | Square Cut Seal |
| 72 | 792074 | | Threaded Plug, 9/16-18 |
| 81 | 786062A | 920-920-022A | Peerless Roller Chain (No. 41 chain, 22 links) |
| 82 | 786061 | | Sprocket (10 teeth) |
| 83 | 786124 | | Sprocket (14 teeth) |
| 90 | 788067B | | Grease (32 oz. bottle Bentonite grease) |
| 150 | 510334 | | Gasket Eliminator (Loctite No. 515) |