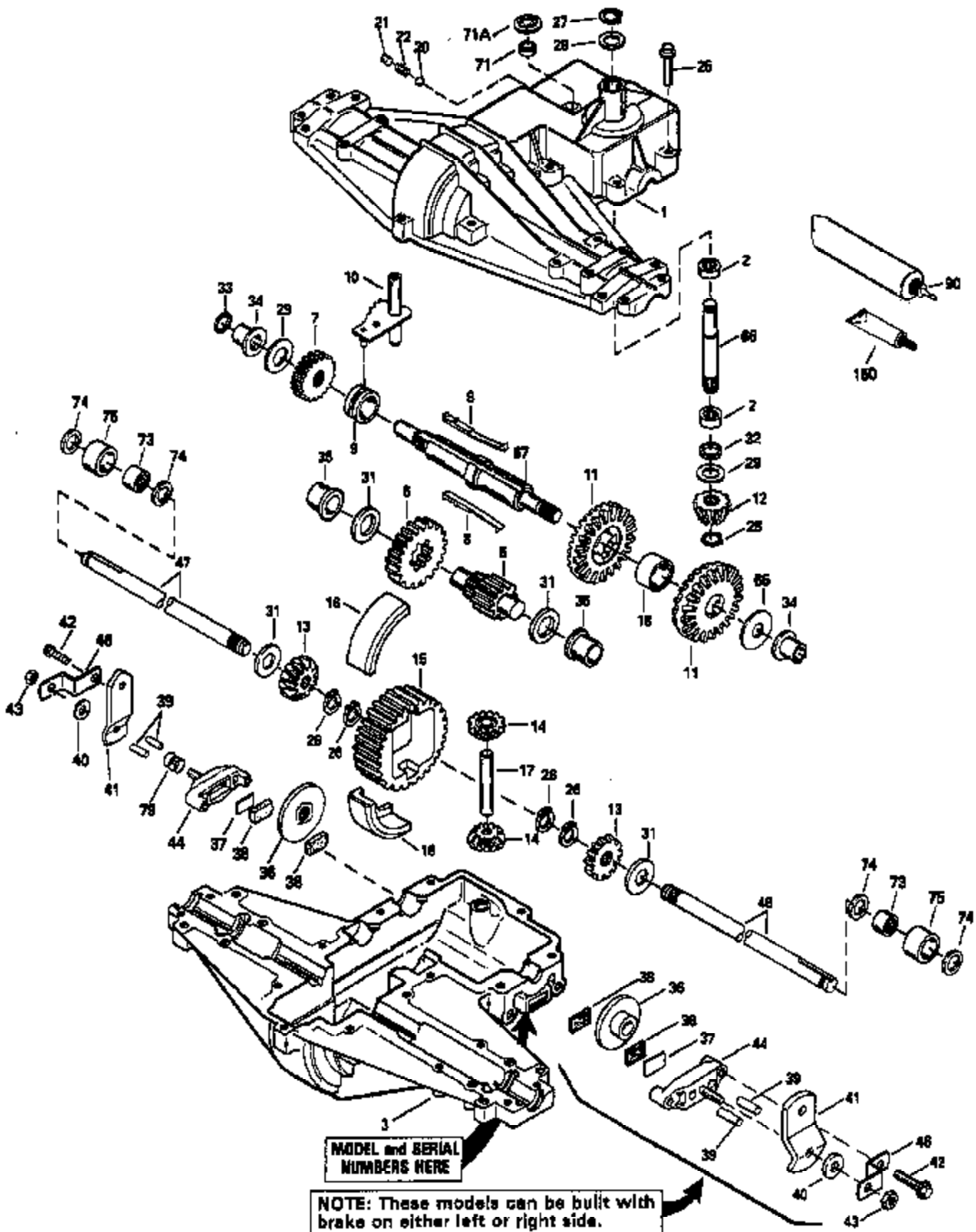


ILLUSTRATION SHOWS TYPICAL PARTS ONLY. ORDER BY PART NUMBER. PARTS NOT LISTED ARE SUPPLIED BY OEM.



Ref #	Part Number	Qty	Description
1	772095A	1	Transxle Cover
2	780086A	2	Needle Bearing
3	770108	1	Transaxle Case
5	778219	1	Output Shaft & Pinion
6	778139	1	Output Gear (35 teeth)
7	778136	1	Spur Gear (15 teeth)
8	792089A	4	Shift Key
9	784216	1	Shift Collar
10	784338	1	Shift Rod & Fork
11	778227	2	Bevel Gear (42 teeth)
12	778113A	1	Input Bevel Pinion
13	778327	2	Bevel Gear (16 teeth) (Incl. 14)
14	778327	2	Bevel Pinion (16 teeth) (Incl. 13)
15	778165	1	Ring Gear (43 teeth)
16	786101	2	Bearing Block
17	786040	1	Differential Pin
18	786126	1	Steel Spacer
20	792077A	1	Ball, 5/16" dia.
21	792078	1	Set Screw, 3/8-16 x 3/8
22	792079	1	Spring
25	792073A	16	Screw, 1/4-20 x 1-1/4
26	792125	4	Retaining Ring (pkg of 2)
27	792035	1	Retaining Ring
28	788040	1	Retaining Ring
29	780072	3	Washer
31	780001	4	Washer
32	792001	1	"O" Ring
33	788051A	1	Square Cut Ring
34	780105A	2	Flanged Bushing
35	780118A	2	Flanged Bushing
36	790003	1	Brake Disk
37	790007	1	Brake Pad Plate
38	799021	2	Brake Pad (pkg of 2)
39	786026	2	Dowel Pin
40	792076A	1	Washer
41	790042	1	Brake Lever
42	792073A	2	Screw, 1/4-20 x 1-1/4"
43	792075	1	Locknut, 5/16-24
44	790025	1	Brake Pad Holder
46	786086	1	Brake Lever Bracket
47	774696	1	Axle (14-5/16" long)
48	774695	1	Axle (11-3/4" long)
65	780109	1	Washer
66	776135	1	Input Shaft
67	776269	1	Shifter & Brake Shaft
71A	792145	1	Pushnut, 1/2"
71	788069	1	Square Cut Ring
73	780140	2	Needle Bearing
74	788066	4	Square Cut Ring
75	786084	2	Sleeve
90	788067B	1	Grease (32 oz. bottle Bentonite greas e)
150	510334	1	Gasket Eliminator (Loctite #515)

910-916-006A Page 2 of 2
Peerless