

# Operator's Manual SUPPLEMENT

MANCO MODEL NO.

415-391

415-241

**WARNING:**  
Read Engine  
Owner's Manual,  
Vehicle Operator's  
Manual, and  
Supplement  
Carefully Before  
Operating  
Vehicle.

Parts List

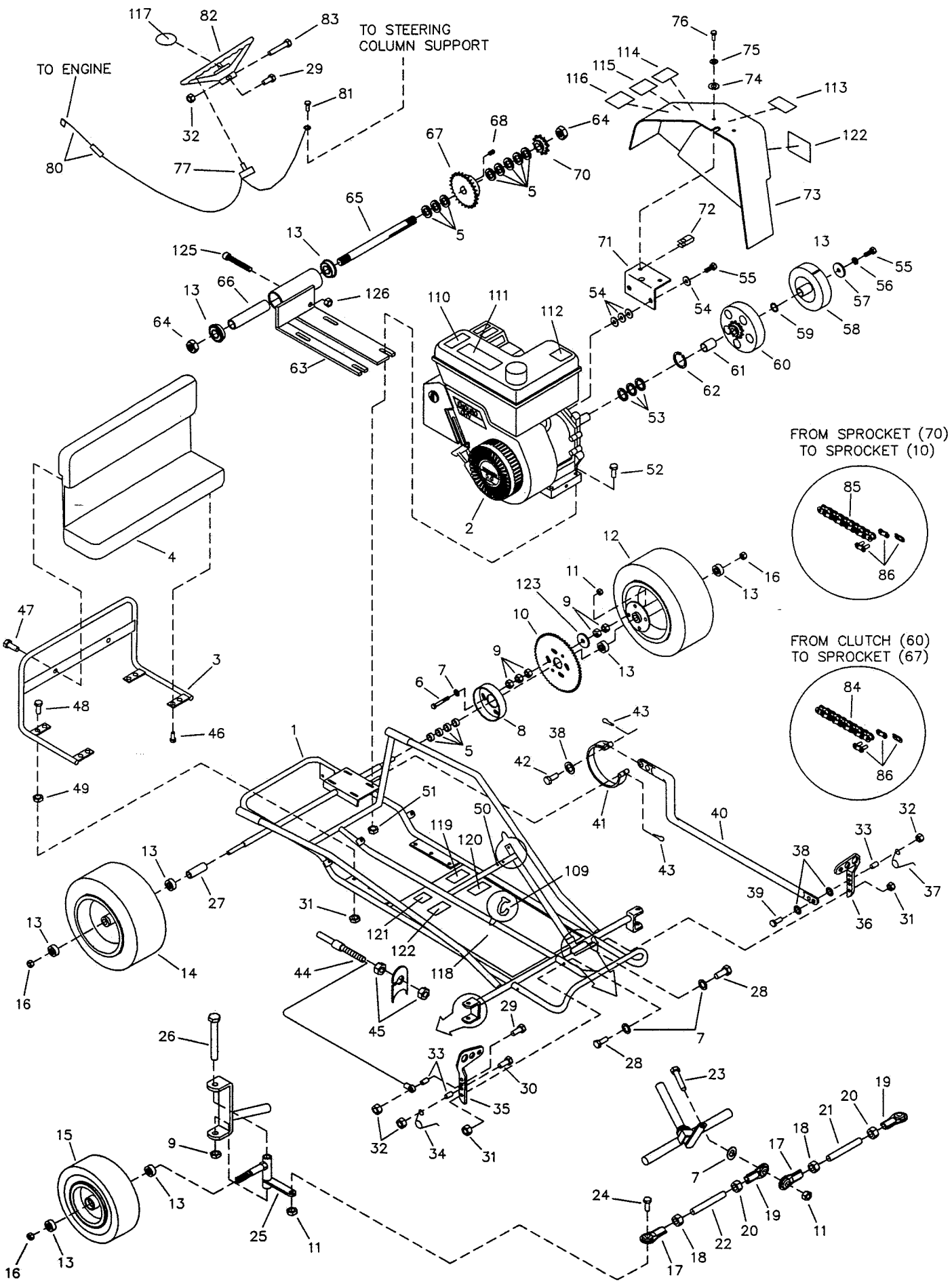


**MANCO**  
**PRODUCTS, INC.**

4404 Engle Ridge Drive Ft. Wayne, Indiana 46804 219-432-1596

**THIS VEHICLE IS FOR  
OFF-ROAD USE ONLY**

BEFORE OPERATING THIS VEHICLE, THE OWNER AND/OR OPERATOR MUST UNDERSTAND THE VEHICLE WAS NOT DESIGNED OR MANUFACTURED TO MEET SPECIFICATIONS FOR USE ON PUBLIC ROADS, STREETS, HIGHWAYS, OR THOROUGHFARES AND HAVE READ AND HAVE AN UNDERSTANDING OF ALL THE INSTRUCTIONS FOR SAFE ASSEMBLY AND OPERATION AS WELL AS THE INSTRUCTIONS GOVERNING THE ENGINE AND OTHER PORTIONS OF THE VEHICLE.



## REPAIR PARTS - MODELS 415-391 & 415-241

REF NO.	PART NO.	DESCRIPTION	REF NO.	PART NO.	DESCRIPTION
1	8350-18	Frame - White	58	4496	Clutch Rotor
	8350-7	Frame - Green	59	3146	Washer, Fiber
2	9661c	Engine, 5hp Tecumseh	60	4491	Drum w/Sprocket (incl REF 61)
3	9968-2	Seat Frame	61	3143	Bushing
4	8370	Seat Back/Bottom	62	3141	Snap Ring
5	1119	Spacer, 5/8 ID x 1/8"	<b>ASM</b>	8614	Speed Reducer Asm (incl REF 13, 63-70, 125-126)
<b>ASM</b>	8358	Drive Wheel Asm (incl REF 6-13)	63	6558-2	Chassis, Speed Reducer
6	9190	Bolt, 3/8-16 x 3-1/4"	64	1136	Nut, 5/8-18 Centerlock
7	9091	Washer, 3/8 Flat	65	6563	Jackshaft
8	1246	Brake Drum	66	6568	Spanner, 5/8 ID x 3-7/8"
9	1012	Nut, 1/2-13 Toplock	67	6569	Sprocket, 35P x 18T
10	8389	Sprocket, 35P x 60T	68	1031	Key, 3/16 SQ x 1/2" Long
11	9085	Nut, 3/8-16 Toplock	69	1119	Spacer, 5/8 ID x 1/8"
12	8284	Wheel Asm 6" (incl REF 13)	70	3504	Sprocket, 35P x 12T
13	5090	Bearing	71	3363-2	Mounting Bracket, Chainguard
14	8283	Idle Wheel Asm 6" (incl REF 13)	72	5135	Nut, Tinnerman
15	8282	Front Wheel Asm 5" (incl REF 13)	73	9734	Chainguard
16	1046	Nut, 5/8-11 Toplock	74	9104	Washer, #10 Flat
<b>ASM</b>	4358	Tie Rod Asm Short (incl REF 17-21)	75	6039	Washer, #10 Lock
<b>ASM</b>	9322	Tie Rod Asm Long incl REF 17-20, 22)	76	6046	Screw, #10-24 x 1/2"
17	1414	Tie Rod End, RH Thread	<b>ASM</b>	9799	Stop Switch Asm (incl REF 77-79)
18	9092	Nut, 3/8-24 Jam RH Thread	77	1392	Stop Switch
19	1415	Tie Rod End, LH Thread	78	1393	Ring Terminal
20	9024	Nut, 3/8-24 Jam LH Thread	79	1394	Wire, 50" w/Splice Connector
21	4356	Tie Rod, Short	80	1406	Wire w/Blade Terminal
22	9321	Tie Rod, Long	81	9796	Screw, 12-24 x 1/2" Self Tapping
23	9145	Bolt, 3/8-16 x 1-3/4"	82	6038	Steering Wheel
24	9146	Bolt, 3/8-16 x 1-1/2"	83	9080	Bolt, 1/4-20 x 2-3/4"
25	8021	Spindle, RH	84	6572	Chain, #35 x 54P (incl REF 86)
<b>NI</b>	8020	Spindle, LH	85	9978	Chain, #35 x 86P (incl REF 86)
26	1264	Bolt, 1/2-13 x 3-1/2"	86	1269	Masterlink, #35 Chain
27	2024	Spacer, 5/8 ID x 1-1/2"	87	8439-2	Front Bar
28	9110	Bolt, 3/8 x 7/8 Shldr., 5/16-18 x 5/8 Thd	88	8291-2	Center Bar
29	9160	Bolt, 1/4-20 x 7/8" Nylock	89	8292-2	Rear Upright
30	1847	Bolt, 1/4-20 x 1"	90	8353-18	Rear Bar, White
31	1189	Nut, 5/16-18 Toplock		8353-7	Rear Bar, Green
32	9057	Nut, 1/4-20 Toplock	91	8373	Seat Belt, Lap/Shoulder
33	1389	Bushing	92	8374	Seat Belt Retractor
34	9502	Spring, Left Wound	93	8375	Seat Belt Plastic Sleeve
35	1437	Pedal, Throttle	94	8369	Headrest Pad
36	1436	Pedal, Brake	95	9759B	Foam Black 30"
37	9503	Spring, Right Wound	96	8368*	Foam 24"
38	1854	Washer, #14 Flat	97	8367*	Foam 15.5"
39	1848	Bolt, 1/4-20 x 1-1/4"	98	8366*	Foam 12.5"
40	8392-2	Brake Rod	99	-----	-----
41	1036	Brake Band	100	1018	Cable Stop
42	9118	Clevis Pin	101	9188	Bolt, 1/2-13 x 1-1/4"
43	9116	Cotter Pin	102	9022	Washer, 1/2 Flat
44	8252	Throttle Cable	103	2386	Bolt, 3/8-16 x 3-1/2"
45	9058	Nut, 5/16-24 Jam	104	9006	Bolt, 1/4-20 x 1/2"
46	9189	Bolt, 1/4-20 x 7/8" Whiz Flange	105	1849	Bolt, 1/4-20 x 1-1/2"
47	1876	Bolt, 1/4-20 x 5/8" Whiz Flange	106	2264	Bolt, 5/16-24 x 3/4"
48	9122	Bolt, 5/16-18 x 1-1/4"	107	6540	Decal, Warning: Wear Helmet
49	2388	Nut, 3/8-24	108	9679	Decal, Warning: No Riders Allowed
50	1463	Bushing, Insulating	109	1019	Ty-Wrap
51	1263	Nut, 5/16-18 Whiz Flange	110	9677	Decal, Warning: Hot Surfaces
52	6573	Bolt, 5/16-18 x 1-3/4"	111	9678	Decal, Warning: Engine Exhaust
53	1194	Washer, 3/4 ID x 1/8"	112	5964	Decal, Warning: Engine Oil
54	9060	Washer, 5/16 Flat	113	6791	Decal, Oil Clutch Here
55	8139	Bolt, 5/16-24 x 1"	114	8398	Decal, Tire Pressure
56	1124	Washer, 5/16 Split Lock	115	4912	Decal, Warning: Guard Must Be...
57	1398	Washer, 21/64 ID x 1-1/4 OD x 1/8"	116	1049	Decal, Caution: Drive Cover
<b>ASM</b>	4335	Clutch Asm (incl REF 58-62)			

# REPAIR PARTS - MODELS 415-391 & 415-241

REF NO.	PART NO.	DESCRIPTION
117	5946	Decal, Steering Wheel (415-391 only)
118	9330	Decal, Floor Pan (415-391)
	5575	Decal, Floor Pan (415-241)
119	4504	Decal, Yellow Warning
120	8399	Decal, Warning: Seat Belt
121	8381	Decal, Made in America
122	8138	Decal, Warning: Entanglement
123	8186	Washer, 25/64 ID x 1-1/4 OD x 1/8"
124	8445	Safety Flag w/Bracket

REF NO.	PART NO.	DESCRIPTION
125	2385	Bolt, 3/8-16 x 4"
126	1128	Nut, 3/8-16 Jam
NI	4350/S	Operator's Manual English/Spanish
NI	9282R1/S	Assembly Instructions
NI	2684D	Engine Operator's Manual

**ASM** = Assembly  
**NI** = Not Illustrated  
 \* = Specify Color

