

Operator's Manual SUPPLEMENT

MODEL NO. 285

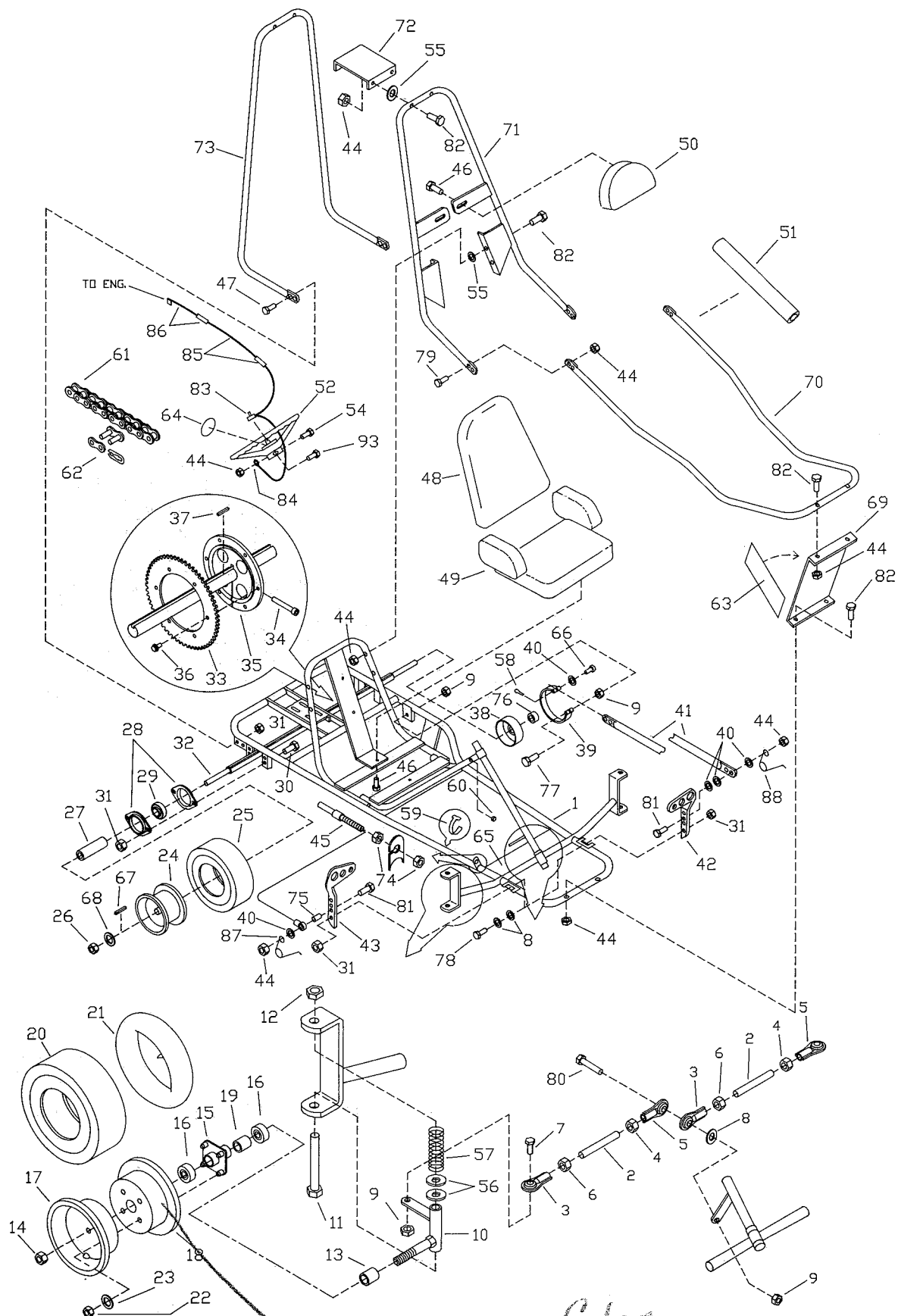
WARNING:
Read Engine
Owner's Manual,
Vehicle Operator's
Manual, and
Supplement
Carefully Before
Operating
Vehicle.

**Parts List
Assembly**



**THIS VEHICLE IS FOR
OFF-ROAD USE ONLY**

BEFORE OPERATING THIS VEHICLE, THE OWNER AND/OR OPERATOR MUST UNDERSTAND THE VEHICLE WAS NOT DESIGNED OR MANUFACTURED TO MEET SPECIFICATIONS FOR USE ON PUBLIC ROADS, STREETS, HIGHWAYS, OR THOROUGHFARES AND HAVE READ AND HAVE AN UNDERSTANDING OF ALL THE INSTRUCTIONS FOR SAFE ASSEMBLY AND OPERATION AS WELL AS THE INSTRUCTIONS GOVERNING THE ENGINE AND OTHER PORTIONS OF THE VEHICLE.



Color 02 - Gold 1539
 Black 1092-2
 Steel Ref# 17-18

REPAIR PARTS

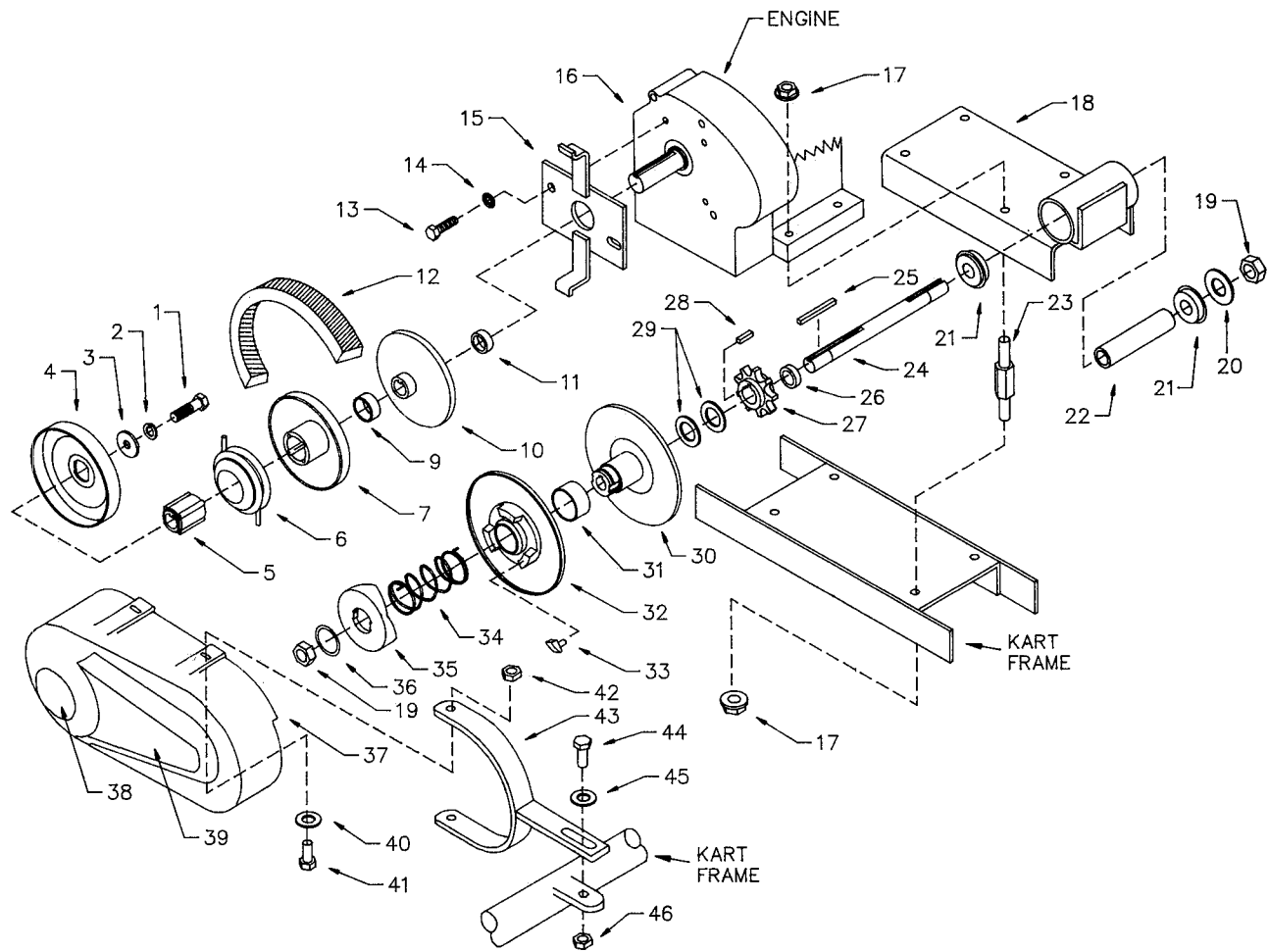
MODEL 285

REF NO.	PART NO.	DESCRIPTION	REF NO.	PART NO.	DESCRIPTION
1	1514	Frame (Specify Color)	48	5159	Seat Back
ASM	1464	Tie Rod Assembly (inc. #2-6)	49	5160	Seat Bottom
2	1465	Tie Rod	50	SM	Headrest Pad <i>Basic - Blocks - 6320</i>
3	1415	Rod End - Left Hand Thread	51	SM	Arm Pads and Covers
4	9092	Nut, 3/8-24 Right Hand Thread	52	6038	Steering Wheel
5	1414	Rod End - Right Hand Thread	53	9080	Bolt, 1/4-20 x 2-3/4"
6	9024	Nut, 3/8-24 Left Hand Thread	54	9160	Bolt, 1/4-20 x 7/8" with Nylock
7	9146	Bolt, 3/8-16 x 1-1/2"	55	6235	Washer, Rubber 1/4" Thk
8	9091	Washer, 3/8 Flat	56	9022	Washer, 1/2" Flat
9	9085	Nut, 3/8-16 Lock	57	5681	Spring
10	9307-2	Spindle - Right Side	58	9116	Cotter Pin
NI	9308-2	Spindle - Left Side	59	1019	Ty-Wrap
11	5682	Bolt, 1/2-13 x 5-1/2"	60	1463	Bushing, Plastic
12	1012	Nut, 1/2-13 Toplock	61	1524	Chain, #420 x 60P w/ Mstr Link
13	5157	Spacer, 5/8" x 3/4"	62	2037	Master Link, #420
14	1046	Nut, 5/8-11 Toplock	63	SM	Decal, Front Plate
ASM	9509	Frt Wheel Asmbly (inc. #15-23)	64	SM	Decal, Steering Wheel
15	9487-24	Hub, 6" Gold	65	1441	Scuff Pad, Floor Pan
16	5090	Bearing	66	9118	Clevis Pin, 1/4"OD x 1-1/4"
17	4925-24	Wheel Half - 6" Gold Outer	67	6123	Key, 1/4"Square x 1-3/4"
18	4926-24	Wheel Half - 6" Gold Inner	68	1194	Washer, 3/4" Flat
19	5950	Spanner	69	1607	Front Plate
20	4915	Tire, 145/70 x 6" Knobby	70	3089-2	Front Bar
21	3802	Tube, 6"	71	3092-2	Center Bar
22	2388	Nut, 3/8-24 Hex	72	1602	Rear Plate
23	1130	Washer, 3/8 Split Lock	73	6543-2	Rear Bar
ASM	3554	Rear Whl Asmbly (inc. #24,25)	74	9058	Nut, 5/16-24 Jam
24	3552	Wheel - 8" Gold	75	1389	Bushing
25	3548	Tire, 18/9.5 x 8"	76	1082	Spacer, 1"ID x 7/16"
NI	1430	Tube, 8" (Repair Part Only)	77	1449	Bolt, 3/8-16 x 2"
26	9052	Nut, 3/4-16 Toplock	78	1447	Bolt, 5/16-18 x 1-3/4" Shoulder
27	1448	Spacer, 1" ID x 3-9/16"	79	1845	Bolt, 1/4-20 x 5/8"
28	1760	Bearing Flange	80	9145	Bolt, 3/8-16 x 1-3/4"
29	3941	Bearing	81	1847	Bolt, 1/4-20 x 1"
30	2264	Bolt, 5/16-18 x 3/4"	82	1848	Bolt, 1/4-20 x 1-1/4"
31	1189	Nut, 5/16-18 Toplock	ASM	1391	Stop Switch Asm (inc. #83,84)
32	1561	Axle	83	1392	Stop Switch
ASM	6420	Sprocket Asmbly (inc. #33-36)	84	1393	Ring Terminal
33	6282	Sprocket, 54 Teeth 420 Chain	85	1394	Wire, 50" with Splice Connector
34	6701	Bolt, 5/16-18 Socket Head	86	1406	Wire, to Engine
35	6280	Sprocket Hub	87	9502	Spring, Left Wound
36	1876	Bolt, 1/4-20 x 5/8" Whiz	88	9503	Spring, Right Wound
37	1775	Key, 1/4" Square x 1-1/4" Long	NI	1049	Warning Decal - ...Drive Cover
38	1078	Brake Drum	NI	2832-Wh	Warning Decal - No Passengers
39	1492	Brake Band	NI	4504	Warning Decal - Yellow
40	1854	Washer, #14 Flat	NI	4912	Warning Decal - This Guard...
41	8040	Brake Rod	NI	6958	Decal - Tire Pressure
42	1436	Brake Pedal	NI	2601	Engine Owner's Manual
43	1437	Throttle Pedal	NI	2581	Vehicle Operator's Manual
44	9057	Nut, 1/4-20 Toplock			
45	1390	Throttle Cable			
46	9006	Bolt, 1/4-20 x 1/2" Flange			
47	2264	Bolt, 5/16-18 x 3/4"			

ASM = Assembly
NI = Not Illustrated
SM = Specify Model

TORQUE CONVERTER REPAIR PARTS

MODEL 285



REF NO	PART NO	DESCRIPTION
ASM	5957	Driver Pulley Assembly (inc. REF 1-10. Assembled to Engine)
1	1454	Bolt, 5/16-24 x 1.75"
2	1124	Washer, 5/16 Split Lock
3	1398	Washer, Flat
4	*	Drum
5	*	Hub
6	*	Shoe Assembly
7	*	Moveable Sheave
9	200349	Bushing
10	*	Stationary Sheave
11	1938	Spacer, 3/4ID x .375"
12	5959	Belt, Asymetrical
13	9101	Bolt, 5/16-24 x 5"
14	9030	Washer, 5/16 Innerlock
15	1494	Mounting Bracket
16	6010	Engine, 5HP
17	1263	Nut, 5/16-18 Flange
18	1110	Chassis
19	1136	Nut, 5/8-18 Top Lock
20	1469	Spacer, 5/8ID x .062"
21	5090	Bearing
22	1116	Spanner
23	1356	Stud
24	1118	Jackshaft
25	3403	Key, 3/16sq x 2"
26	1937	Spacer, 5/8ID x .25"
27	1125	Sprocket, 9T #420
28	1031	Key, 3/16sq x .5"
29	1119	Spacer, 5/8ID x .125"
ASM	5958	Driven Pulley Assembly (inc. REF 30-36. Assembled to Jackshaft)
30	*	Stationary Sheave
31	*	Bushing
32	*	Moveable Sheave
33	6804	Button, Nylon
34	6805	Spring
35	*	Cam
36	2477	Retaining Ring
37	1542	Cover
38	SM	Decal
39	SM	Decal
40	2279	Washer, #8 Flat
41	2277	Screw, #8 x .5"
42	2278	Nut, #8 Lock
43	1537	Bracket
44	1846	Bolt, 1/4-20 x .75"
45	1854	Washer, 1/4 Flat
46	9057	Nut, 1/4-20 Lock

* = Not Available Separately

ASM = Assembly

SM = Specify Model