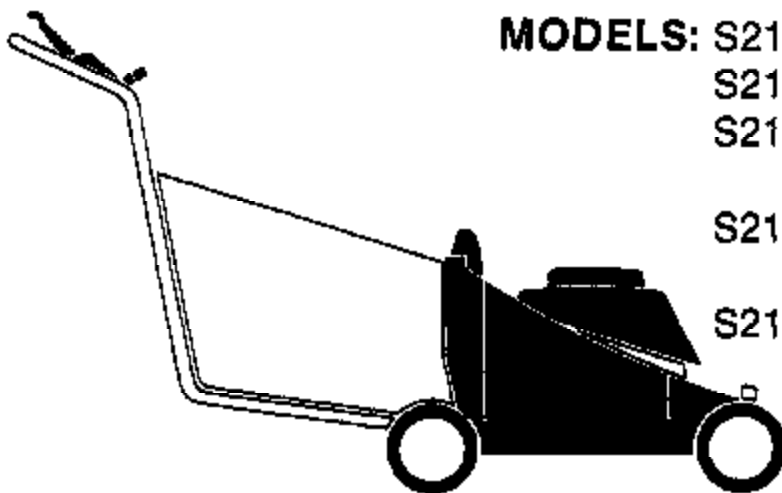


PARTS LIST

21" SUPER BAGGER



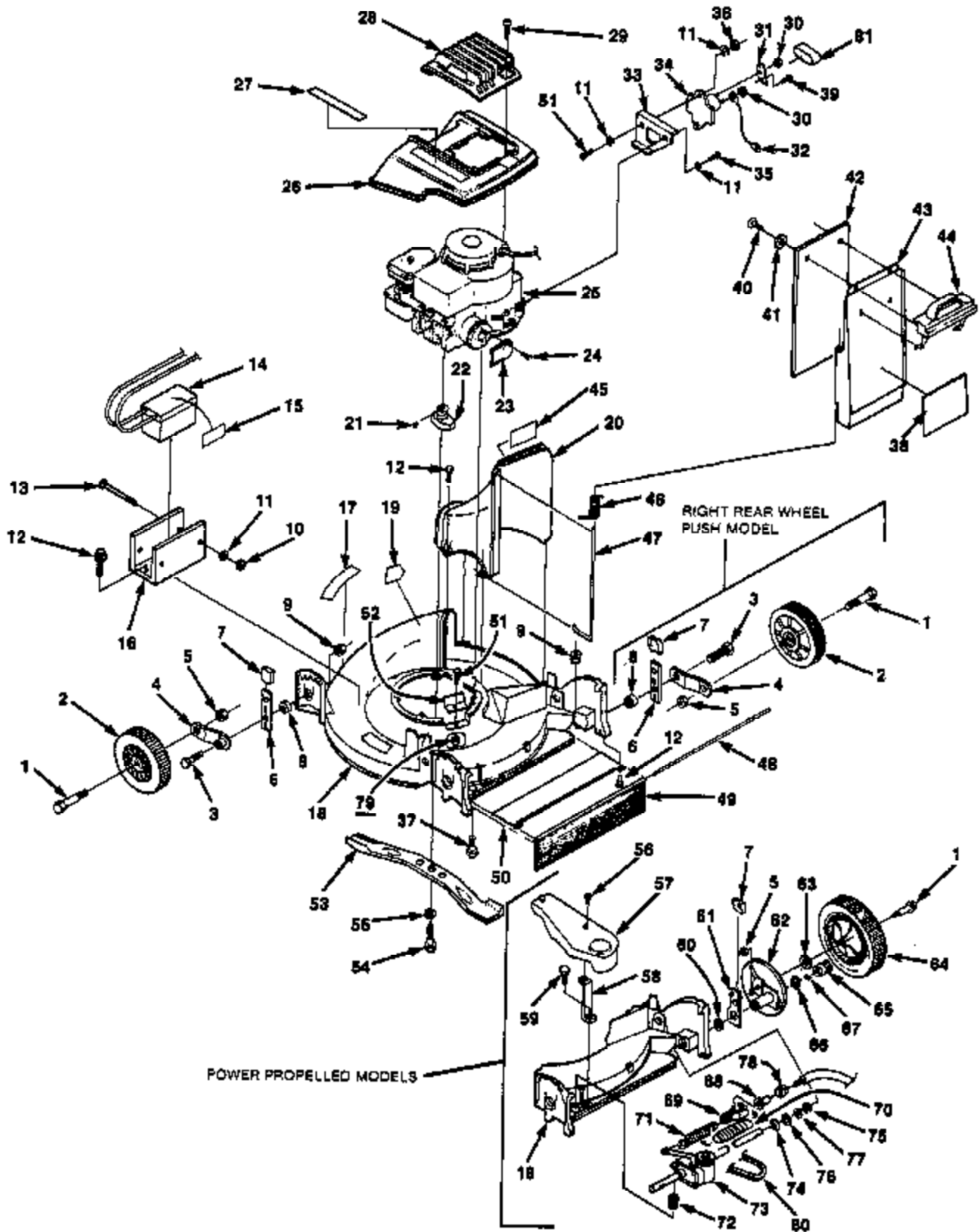
MODELS: S21 (UT-30044)
S21P (UT-30043)
S21E (UT-30042)
(UT-30042-A)
S21P4E (UT-30041)
(UT-30041-A)
S21P4 (UT-30052)

JACOBSEN

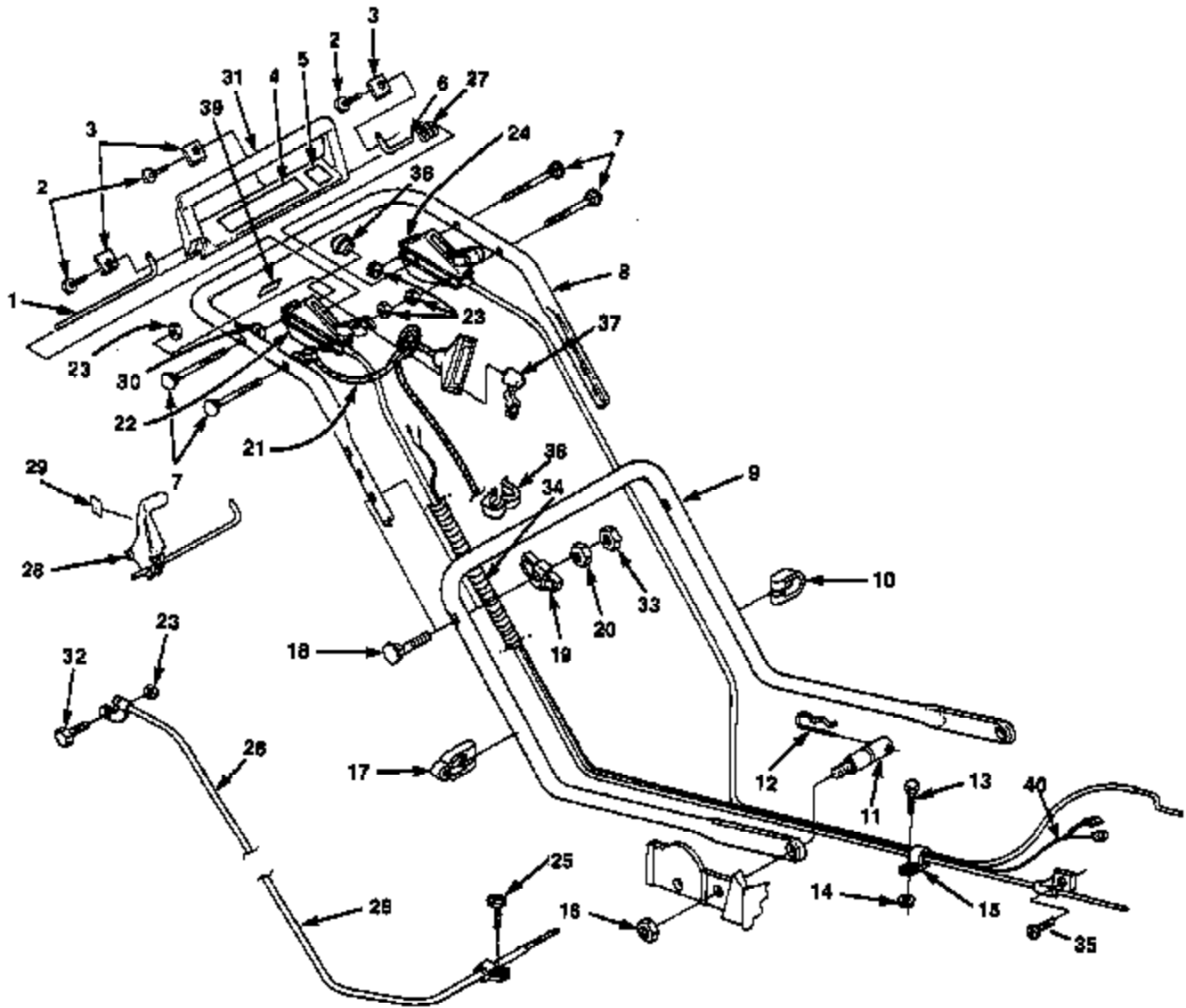
HOMELITE

⚠ WARNING

IF INCORRECTLY USED THIS MACHINE CAN CAUSE SEVERE INJURY. THOSE WHO USE AND MAINTAIN THE MACHINE SHOULD BE TRAINED IN ITS PROPER USE, WARNED OF ITS DANGERS, AND SHOULD READ THE ENTIRE MANUAL BEFORE ATTEMPTING TO SET UP, OPERATE, ADJUST OR SERVICE THE MACHINE.



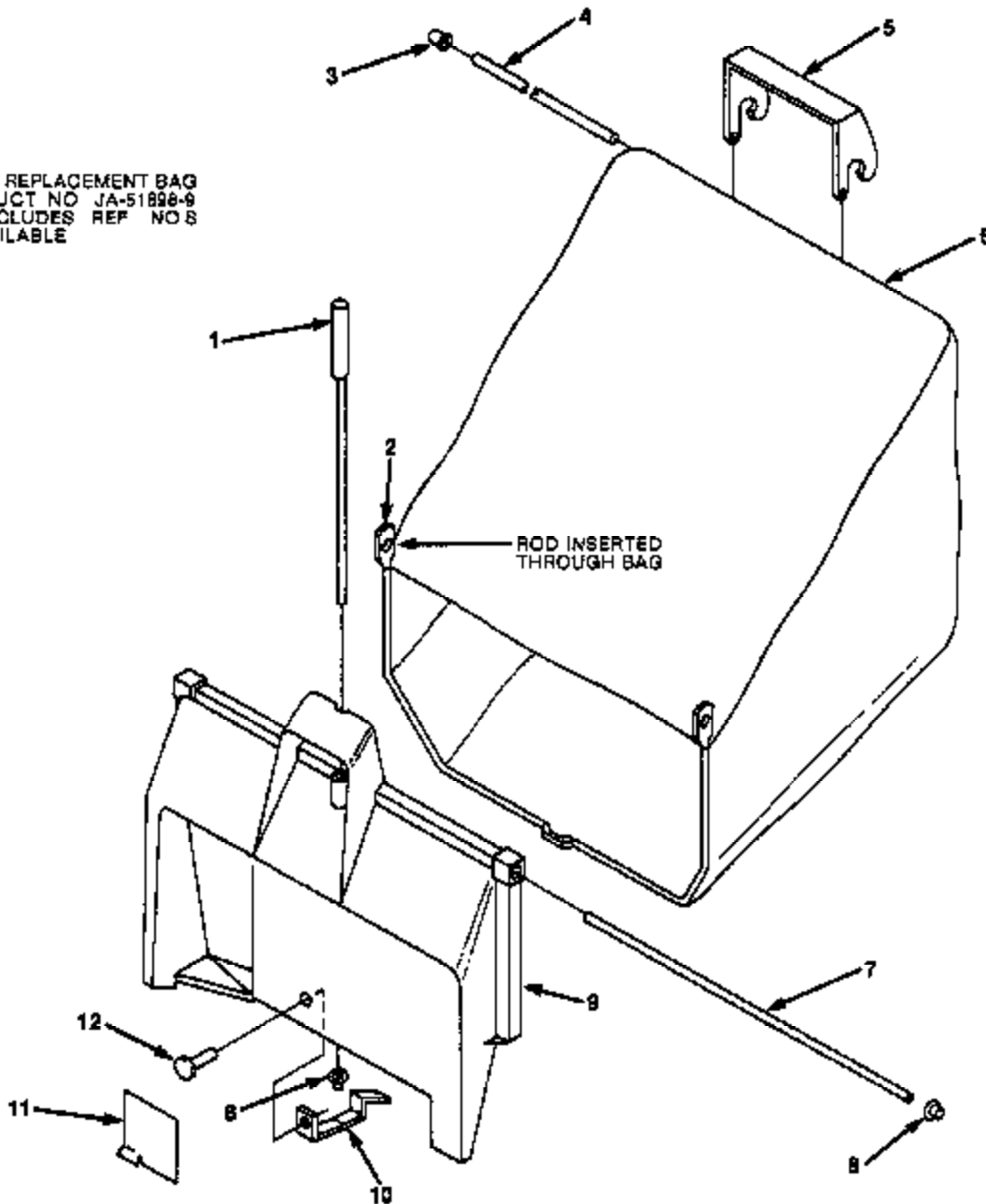
NO.	PART NO.	QTY.			DESCRIPTION	NO.	PART NO.	QTY.			DESCRIPTION
		S21E	S21P4E	S21P4				S21E	S21P4E	S21P4	
1	JA-35918-1	4			38	JA-33833-8	1			DECAL- Door	
2	JA-12195-8	4	2		39	JA-40970-4	1			SCREW #10-16 x 1/2 (S21E & S21P4E)	
3	JA-35918-0	4	2		40	JA-40888-1	2	2		SCREW	
4	JA-33831-4	4	2		41	JA-45302-3	2	2		WASHER	
5	JA-44577-6	4	4		42	JA-35928-3	1	1		DAMP- Flap	
6	JA-99008-7	4	2		43	JA-13088-3	1	1		DOOR- Chute	
7	JA-33862-3	4	4		44	JA-39016-4	1	1		HANDLE	
8	JA-35836-2	4	2		45	JA-99014-8	1	1		DECAL- 4 HP (S21P4) & (S21	
9	JA-44577-5	4	2		46	JA-35825-8	1	1		SPRING	
10	JA-44310-2	2	2		47	JA-35916-7	1	1		PIN	
11	JA-44613-0	3	3		48	JA-35917-0	1	1		ROD- Drag flap	
12	JA-40887-8	8	8		49	JA-35925-7	1	1		FLAP- Drag	
	JA-40887-8	8	8		50	JA-33861-8	1	1		COVER	
13	JA-40012-8	2	2			JA-33861-9	1			COVER	
14	JA-99145-0	1	1		51	JA-40010-4	1	1		SCREW	
15	JA-99433-0	1	1		52	JA-37545-0	1			COVER- Belt opening	
16	JA-99252-0	1	1		53	JA-39016-2	1	1		BAR- 21"	
17	JA-99418-0	1	1		54	JA-40118-8	1	1		SCREW	
	JA-99416-0	1	1		55	JA-44614-8	1	1		WASHER	
	JA-99419-0	1			56	JA-40887-9	1	1		SCREW	
	JA-99417-0	1			57	JA-39251-4	1			COVER- Drive	
	JA-99064-8	1	1		58	JA-35928-0	1			SUPPORT	
18	JA-99017-5	1	1		59	JA-40925-2	1			SCREW	
	JA-99017-6	1	1		60	JA-35914-1	2			SPACER	
19	JA-33848-0	1	1		61	JA-16204-4	2			SPRING	
20	JA-39507-5	1	1		62	JA-99007-4	2			DRIVE WHEEL SUPPORT AS	
21	JA-46310-7	1	1		63	JA-35920-0	2			WASHER	
22	JA-24170-8	1			64	JA-50139-6	2			WHEEL & TIRE	
	JA-24170-9	1	1		65	JA-20424-4	1			PINION (R.H.)	
23	JA-35925-6	1	1			JA-20424-5	1			PINION (L.H.)	
24	JA-40888-0	3	3		66	JA-35107-7	2			WASHER	
25	JA-99588-0	1	1		67	JA-31365-6	2			PAWL- Pinion	
	JA-99068-1	1			68	JA-99014-2	1			CONNECTOR	
	JA-99065-1	1	1		69	JA-99533-0	1			CLEVIS	
26	JA-99315-0	1	1		70	JA-35927-0	1			COVER- Spring	
27	JA-33857-0	1	1		71	JA-37574-8	1			SPRING- Extension	
28	JA-99314-0	1	1		72	JA-35928-8	1			SPRING- Compression	
29	JA-40903-5	4	4		73	JA-99054-5	1			GEAR REDUCER ASSY.	
30	JA-44380-2	2	2		74	JA-45645-1	2			RING- Eaton	
31	JA-99061-4	1	1		75	JA-45403-7	2			WASHER	
					76	JA-35340-8	2			WASHER	
32	JA-99061-5	1	1		77	JA-32814-7	A/R			WASHER	
33	JA-99061-3	1	1		78	JA-44431-0	1			NUT	
34	JA-99061-7	1	1		79	JA-44470-8	1			NUT	
35	JA-40990-8	1	1		80	JA-39016-4	1			BELT	
36	JA-44310-2	1	1								
37	JA-40887-8	4	4								



NO.	PART NO.	QTY.		DESCRIPTION	NO.	PART NO.	QTY.		DESCRIPTION
		S21	S21P				S21	S21P	
1	JA-89255-0	1		SHAFT- Pivot	23	JA-44470-8	4	5	NUT
2	JA-40888-1	3	3	SCREW	24	JA-99248-3		1	CONTROL- Throttle
3	JA-89257-0	3	3	CLAMP- Pivot shaft	25	JA-40885-5		1	SCREW
4	JA-89407-0	1	1	DECAL- Brake bail	26	JA-89443-1		1	CABLE- Traction
5	JA-89408-0	1	1	DECAL- Blade - rotate	27	JA-89014-1	1	1	SPRING (S21P4E) & (S21E)
6	JA-89255-0	1	1	SHAFT- Pivot	28	JA-89554-0		1	LEVER- Assy. - Traction
7	JA-89282-0	4	4	BOLT- Sq. neck	29	JA-89408-0		1	DECAL
8	JA-89235-0	1	1	HANDLE- Upper	30	JA-34454-4	2	2	WASHER (S21E & S21P4E)
9	JA-89236-0	1	1	HANDLE- Lower	31	JA-89319-0	1	1	BAIL- Brake control
10	JA-89842-0	2	2	CLAMP- Cable single	32	JA-40011-8		1	SCREW
11	JA-35817-8	2	2	STUD	33	JA-44471-8	2	2	NUT
12	JA-46030-8	2	2	PIN- Cotter hair	34	JA-99082-8	4	4	COVER- Control cable (S21E & S21P4E)
13	JA-40887-8	1	1	SCREW		JA-47318-8	2	2	CABLE- Tie (not shown)
14	JA-44700-8	1	1	WASHER	35	JA-40358-8	1	1	SCREW- 10-32 x 3/8
15	JA-89431-0	1	1	CLAMP	36	JA-99082-1	1	1	SWITCH (S21E & S21P4E)
16	JA-44577-5	2	2	NUT- Flange	37	JA-99080-5	1	1	HOUSING- Switch (S21E & S21P4E)
17	JA-99641-0	1	1	CLAMP- Cable double	38	JA-35828-0	1	1	CLIP- Cover (S21E & S21P4E)
18	JA-35810-2	2	2	BOLT		JA-47318-6	1	1	SECURE TIE (S21E & S21P4E) (not shown)
19	JA-33855-0	2	2	KNOB- Handle	39	JA-99061-8	1	1	DECAL (S21E & S21P4E)
20	JA-44310-8	2	2	NUT	40	JA-99082-1	1	1	HARNES- Wiring
21	JA-99638-0	1	1	ROPE- Restraint (S21 & S21P)					
22	JA-89248-7	1	1	CONTROL- Manual start (S21 & S21P)					

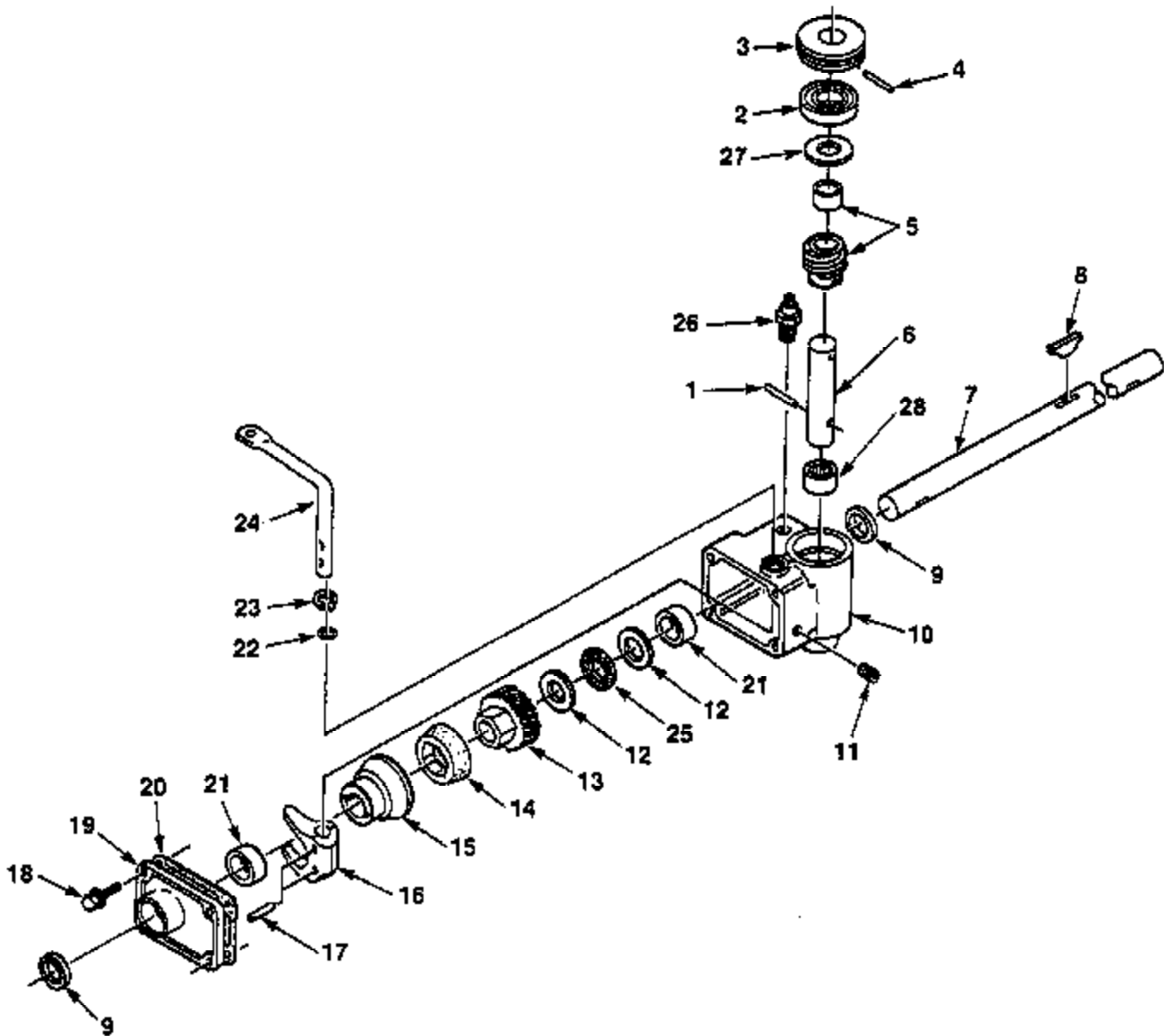
FIGURE 3

NOTE
 COMPLETE REPLACEMENT BAG
 KIT PRODUCT NO JA-51898-9
 WHICH INCLUDES REF NOS
 1-12 IS AVAILABLE



PARTS LIST FOR FIGURE 3
ALL MODELS

NO.	PART NO.	QTY.	DESCRIPTION	NO.	PART NO.	QTY.	DESCRIPTION
1	JA-16200-9	1	LATCH- Rod	7	JA-35916-8	1	ROD, Bag Hinge
2	JA-33885-1	1	ROD- Bag support	8	JA-44551-5	3	NUT- Pal
3	JA-36917-9	2	RETAINER	9	JA-14210-6	1	ADAPTOR- Bag
4	JA-35916-9	1	ROD Upper Bag	10	JA-35925-8	1	LATCH
5	JA-39015-3	1	HANDLE	11	JA-37568-0	1	DEFLECTOR
6	JA-61676-9	1	CATCHER- Grass	12	JA-46484-6	1	RIVET



NO.	PART NO.	QTY.		DESCRIPTION
		S21P S21PA	S21P4E	
1	JA-48141-5	1		PIN
2	JA-99049-9	1		BEARING
3	JA-38908-5	1		PULLEY
4	JA-48141-4	1		PIN
5	JA-99084-2	1		WORM & SPACER
6	JA-99052-5	1		SHAFT- Worm
7	JA-99286-0	1		SHAFT- Drive
8	JA-48310-1	1		KEY
9	JA-37611-0	2		SEAL
10	JA-99052-9	1		GEAR REDUCER HOUSING ASSY. (Includes Index #9 & 21)
11	JA-47200-9	1		PLUG
12	JA-99044-6	2		RACE- Bearing
13	JA-99277-0	1		GEAR- Helical
14	JA-99278-0	1		CONE- Friction

NO.	PART NO.	QTY.		DESCRIPTION
		S21P S21PA	S21P4E	
15	JA-99280-0	1		DRUM- Clutch
16	JA-99015-3	1		FORK- Shift
17	JA-48133-0	2		PIN
18	JA-40885-2	4		SCREW
19	JA-99016-6	1		COVER- Gearbox (Includes Index #9 & 21)
20	JA-37694-8	1		GASKET
21	JA-99282-0	2		BUSHING- Sleeve
22	JA-45903-7	1		O-RING
23	JA-45808-4	1		RING
24	JA-99411-0	1		LEVER- Shift
25	JA-99044-7	1		BEARING- Thrust
26	JA-99041-5	1		VENT
27	JA-99048-8	1		WASHER
28	JA-99052-7	1		BEARING- Needle